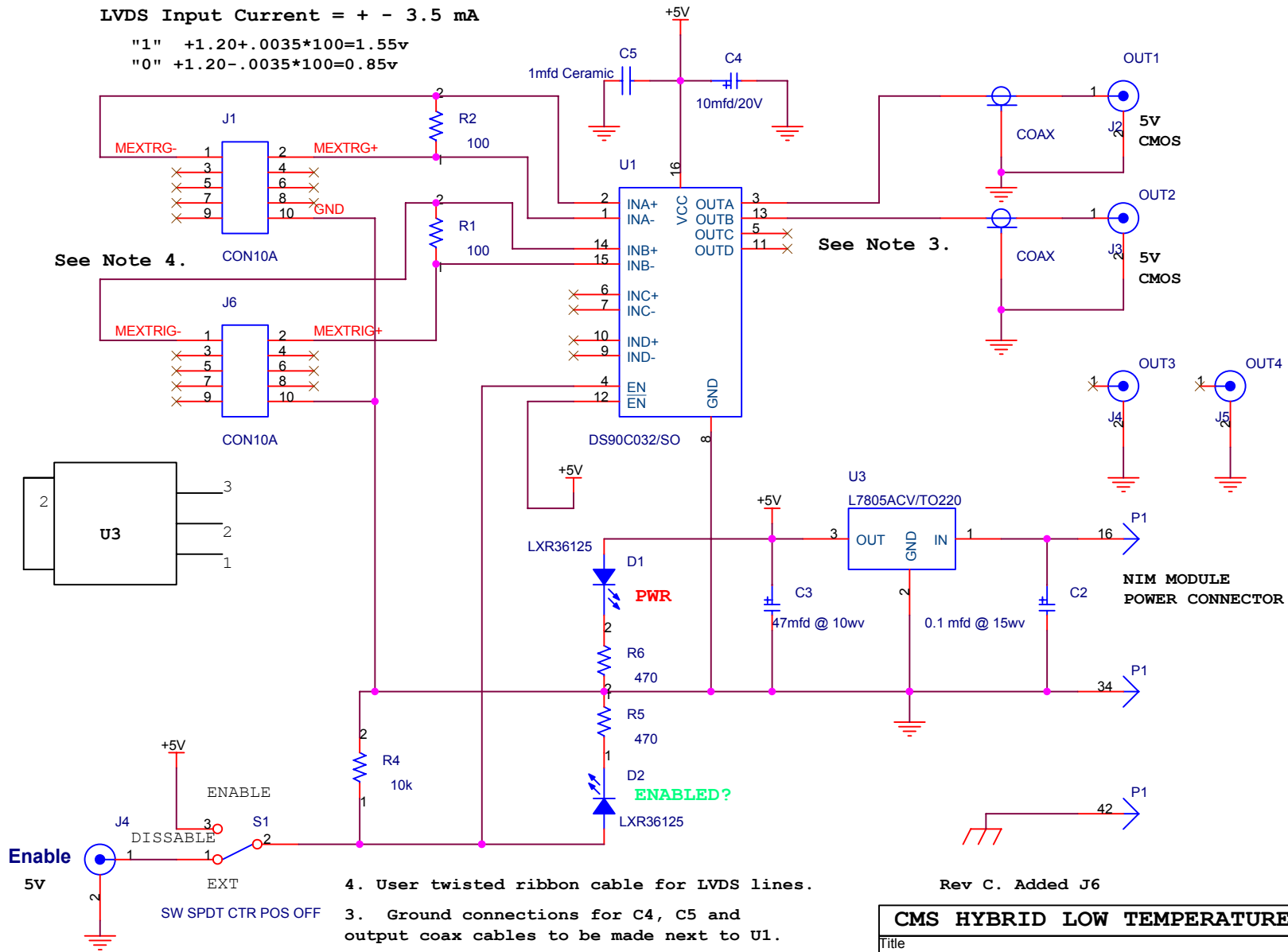


LVDS Input Current = + - 3.5 mA

"1" +1.20+.0035*100=1.55v

"0" +1.20-.0035*100=0.85v



See Note 4.

See Note 3.

4. User twisted ribbon cable for LVDS lines.
3. Ground connections for C4, C5 and output coax cables to be made next to U1.
2. Rev B. Added C4 and C5 decoupling next to U1 and coax on output connectors.
1. Rev A. Changed 5 volt regulator pinout.

NOTES:

Rev C. Added J6

CMS HYBRID LOW TEMPERATURE TEST		
Title LVDS/CMOS-NIM		
Size A	Document Number 1-02	Rev C
Date: Friday, October 03, 2003	Sheet 1	of 1