

ACRYLIC FLOWMETERS

FL-2000 Series

\$33

Basic Model



FEATURES:

- ✓ Easy-to-Read English or Metric Scales
- ✓ Water Ranges from 4 CCM to 20 GPM, Air Ranges from 40 CCM to 4000 LPM
- ✓ Threaded Brass Inserts for Quick Installation
- ✓ Easy Disassembly and Assembly for Maintenance
- ✓ Durable One-Piece Clear Acrylic Construction
- ✓ Stable, Easy-to-Read Float
- ✓ Superior Quality

APPLICATIONS:

- ✓ Air Sampling Equipment
- ✓ Aquaculture
- ✓ Desalinization Equipment
- ✓ Gas Analyzers
- ✓ Medical Systems
- ✓ Photo Processing Equipment
- ✓ Water Treatment and Distribution Systems

The FL-2000 Series offers a wide variety of precision flowmeters for use in medical, industrial, chemical, and laboratory applications at an economical price. Units are available with or without valves.



FL-2013 Series Air

SPECIFICATIONS

Accuracy:

Models FL-2001–FL-2025: $\pm 5\%$ F.S.

Models FL-2031–FL-2069: $\pm 3\%$ F.S.

Models FL-2071–FL-2128: $\pm 2\%$ F.S.

Float: Black glass stainless steel

Body: Clear Acrylic

Seals: Buna-N "O" Rings with brass or PVC fittings

Viton® "O"-Rings with stainless steel fittings

Pressure: 100 psig max. @ 21°C (70°F)

Temperature:

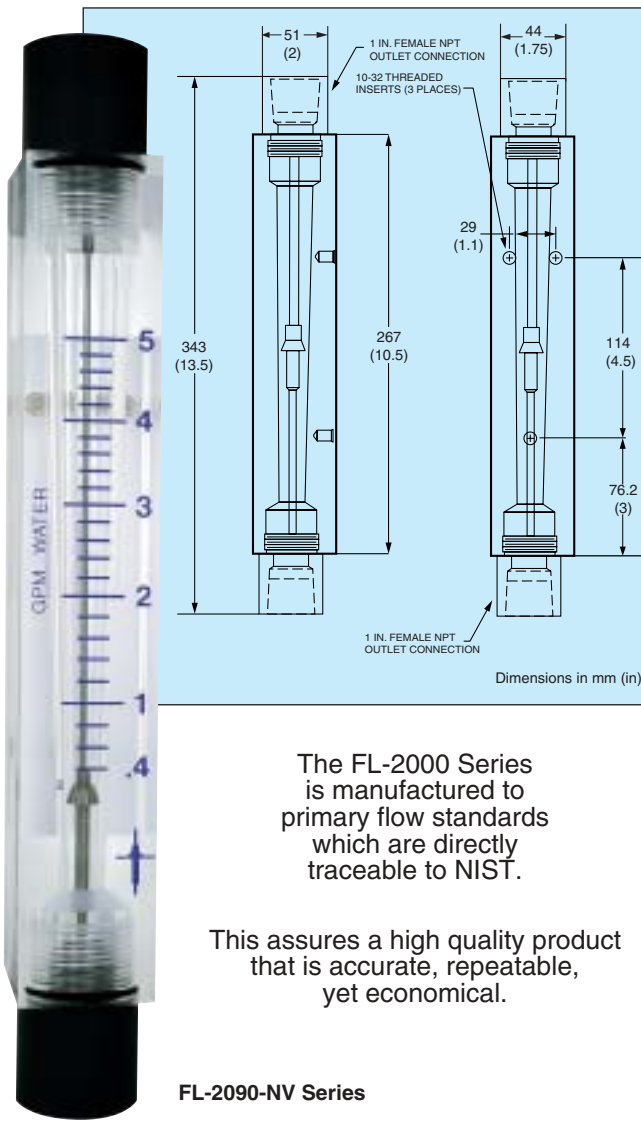
150°F (65°C) max. @ 0 psig

Fittings: Brass std; stainless steel optional except for FL-2071 through FL-2128, which have 1" NPT PVC fittings only



FL-2060-NV Series Water

Valves: Models FL-2001 through FL-2069: brass std; stainless steel cartridge type (optional)
FL-2071 through FL-2128: optional plastic in-line gate



The FL-2000 Series is manufactured to primary flow standards which are directly traceable to NIST.

This assures a high quality product that is accurate, repeatable, yet economical.

FL-2090-NV Series

MOST POPULAR MODELS HIGHLIGHTED!

FL-2091 through FL-2128 Dimensions

IN-LINE								
Millimeters	343	50.8	267	25.4	28.6	44.5	114	76.2
Inches	13.5	2	10.5	1" FNPT	1.1	1.8	4.5	3

Accuracy: ±2% Full Scale In-Line

Model No.	Range SCFM of Air	Price
FL-2091	3-25	\$122
FL-2092	4-50	122
FL-2093	10-100	122
Range LPM of Air		
FL-2094	100-700	122
FL-2095	100-1400	122
FL-2096	400-4000	122
Range GPM of Water		
FL-2097	.4-5	122
FL-2098	1-10	122
FL-2099	2-20	122
Range LPM of Water		
FL-2126	1-15	122
FL-2127	4-36	122
FL-2128	5-75	122

Units are standard without valves.

To order with plastic integral gate valve, add suffix "-V" to model number and add \$63 to price.

Ordering Example: FL-2095, rotameter, 100 to 1400 LPM Air, \$122.

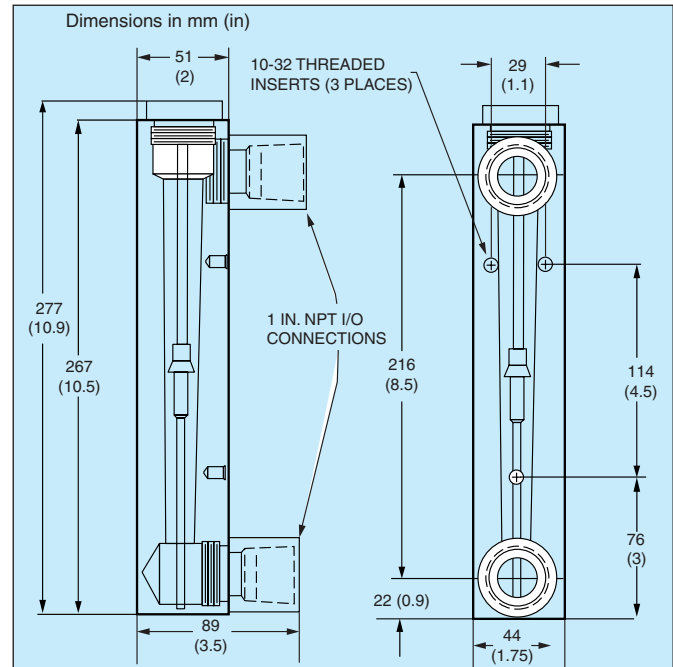
Accuracy: ±2% Full Scale MOST POPULAR MODELS HIGHLIGHTED!

Model No.	Range SCFM of Air	Price
FL-2071	3-25	\$122
FL-2072	4-50	122
FL-2073	10-100	122
Range LPM of Air		
FL-2074	100-700	122
FL-2075	100-1400	122
FL-2076	400-3400	122
Range GPM of Water		
FL-2077	.4-5	122
FL-2078	1-10	122
FL-2079	2-20	122
Range LPM of Water		
FL-2080	1-15	122
FL-2081	4-36	122
FL-2082	5-75	122

Units are standard without valves.

To order with plastic integral gate valve, add suffix "-V" to model number and add \$63 to price.

Ordering Example: FL-2075, rotameter valve, 100 to 1400 LPM Air, \$122



PANEL MOUNT										
Millimeters	273	267	50.8	88.9	25.4	216	22.2	28.6	114	76.2
Inches	10.9	10.5	2	3.5	1" FNPT	8.5	0.9	1.1	4.5	3



FL-2060 Series
Air



FL-2060-NV Series
Water

Accuracy: $\pm 3\%$ Full Scale
Panel Mount

**MOST POPULAR
MODELS
HIGHLIGHTED!**

Model No.	Range SCFM of Air	Price
FL-2060	.5-5	\$82
FL-2061	1-10	82
FL-2062*	2-20	62
Range LPM of Air		
FL-2063	14-140	82
FL-2064	30-280	82
FL-2065*	60-560	62
Range GPM of Water		
FL-2066	.2-2.5	82
FL-2067	.4-5	82
Range LPM of Water		
FL-2068	.8-9	82
FL-2069	1.5-20	82

Units are std. with brass valves, except FL-2062 and FL-2065

*Note: Not available with valves.

Dual scales supplied std: SCFM/SCFH, GPM/GPH and LPM/LPH
To order with stainless steel valve, add suffix "-SS" to model number and add \$17 to price.

To order without a valve, add suffix "-NV" to model number and subtract \$20 from price.

Model No.	Range SCFH of Air	
FL-2031	.4-5	\$46
FL-2032	1-10	46
FL-2033	2-20	46
FL-2034	4-40	46
FL-2035	10-100	46
FL-2036	14-150	46
FL-2037	20-200	46
Range CCM of Air		
FL-2038	100-1000	46
Range LPM of Air		
FL-2039	.4-5	46
FL-2040	1-10	46
FL-2041	2-20	46
FL-2042	3-30	46
FL-2043	4-50	46
FL-2044	10-100	46
Range CCM of Water		
FL-2045	4-50	46
FL-2046	10-120	46
FL-2047	25-225	46
FL-2048	40-400	46
FL-2049	40-660	46
FL-2050	100-1500	46
FL-2051	200-3000	46
FL-2052	300-3700	46
Range GPH of Water		
FL-2053	1-10	46
FL-2054	2-25	46
FL-2055	4-50	46
FL-2056	6-60	46
Model No. Range SCFM of Air		
FL-2057	.3-3	46

Units are standard with brass valves.

To order with stainless steel valve, add suffix "-SS" to model number and add \$10 to price.

To order without a valve, add suffix "-NV" to model number and subtract \$7 from price.

Ordering Examples: FL-2036, economical rotameter, with brass valve, 14 to 150 SCFH Air, \$46. FL-2036-NV, economical rotameter, without brass valve, 14 to 150 SCFH Air, \$39.



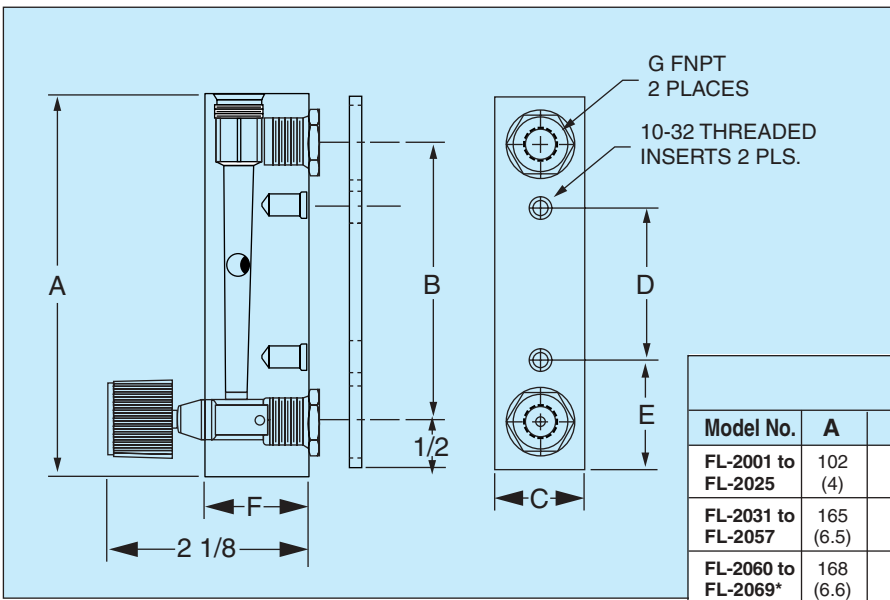
FL-2090 Series
Air



FL-2030 Series
Water



FL-2030-NV Series
Air



FL- 2001 thru FL-2069 Dimensions

Model No.	MILLIMETERS (INCHES)						
	A	B	C	D	E	F	G
FL-2001 to FL-2025	102 (4)	76.2 (3)	25.4 (1)	41.3 (1.6)	30.2 (1.2)	28.6 (1.1)	¼
FL-2031 to FL-2057	165 (6.5)	140 (5.5)	34.9 (1.4)	88.9 (3.5)	38.1 (1.5)	28.6 (1.1)	¼
FL-2060 to FL-2069*	168 (6.6)	140 (5.5)	28.6 (1.1)	88.9 (3.5)	38.1 (1.5)	34.9 (1.4)	¼

*All in this range do not include a 1/8" back plate

Accuracy: ±5% Full Scale
Panel Mount

MOST POPULAR MODELS
HIGHLIGHTED!

To Order (Specify Model No.)		
Model No.	Range SCFH of Air	Price
FL-2001	.1-1	\$33
FL-2002	.2-2	33
FL-2003	.4-5	33
FL-2004	1-10	33
FL-2005	2-20	33
FL-2006	3-30	33
FL-2007	4-50	33
FL-2008	10-100	33
FL-2009	20-200	33
Range LPM of Air		
FL-2010	.04-.5	33
FL-2011	.1-1	33
FL-2012	.2-2.5	33
FL-2013	.4-5	33
FL-2014	1-10	33
FL-2015	2-25	33
FL-2016	4-50	33
FL-2017	10-100	33
Range SCCM of Water		
FL-2018	5-50	33
FL-2019	10-100	33
FL-2020	20-240	33
Range GPH of Water		
FL-2021	.2-2.	33
FL-2022	.4-5	33
FL-2023	1-10	33
FL-2024	2-20	33
FL-2025	4-40	33

Units come standard with brass valves.
 To order with stainless steel valves, add suffix "-SS" to model number and add \$10 to price.
 To order without a valve, add suffix "-NV" to model number and subtract \$7 from price.
Ordering Examples: FL-2005, economical rotameter with brass valve, 2 to 20 SCFH air, \$33.
 FL-2005-NV, economical rotameter without valve, 2 to 20 SCFH air, \$26.



FL-2021-NV Water