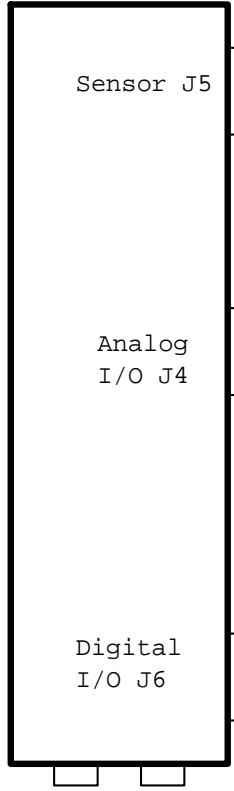
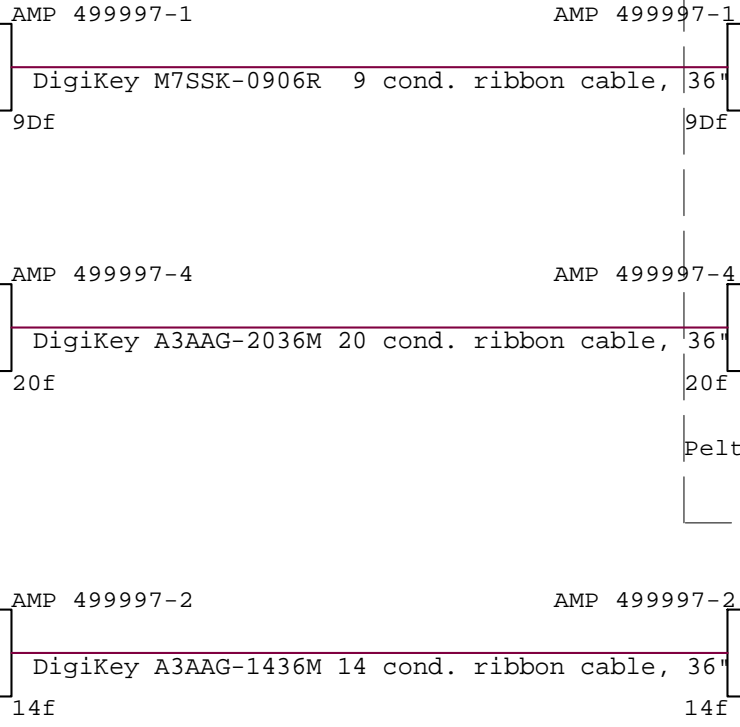
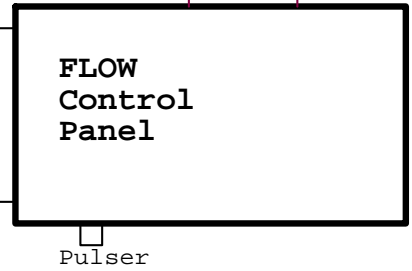
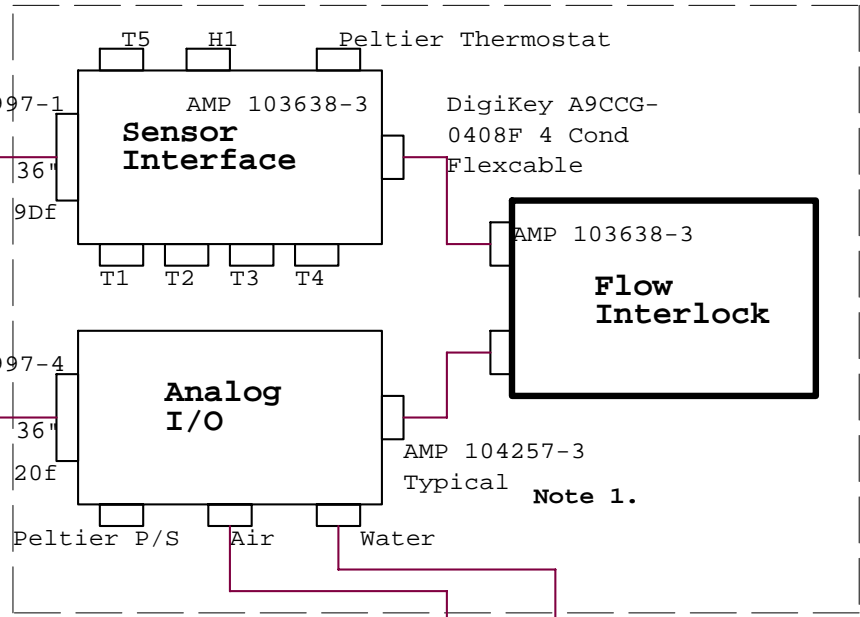


Coolie Box



New System Interconnect Board



1. CAUTION: Flex cable assemblies used with the Flow Interlock board are not one to one, they mirror the connections.

Title		
CMS Cold Box System Interconnects		
Size	Document Number	Rev
A	2-04	B
Date:	Friday, February 04, 2005	Sheet 1 of 1