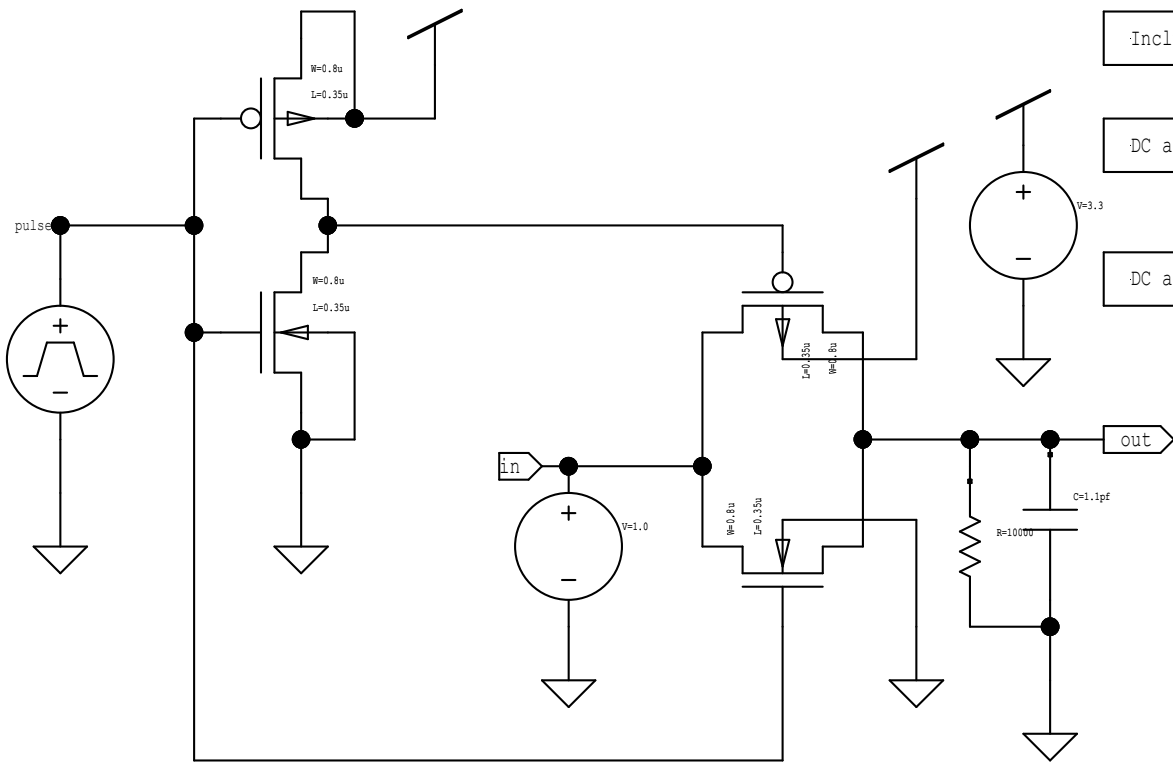


# TRANSMISSION GATE



- Include models
- Include models
- DC analysis
- DC analysis output