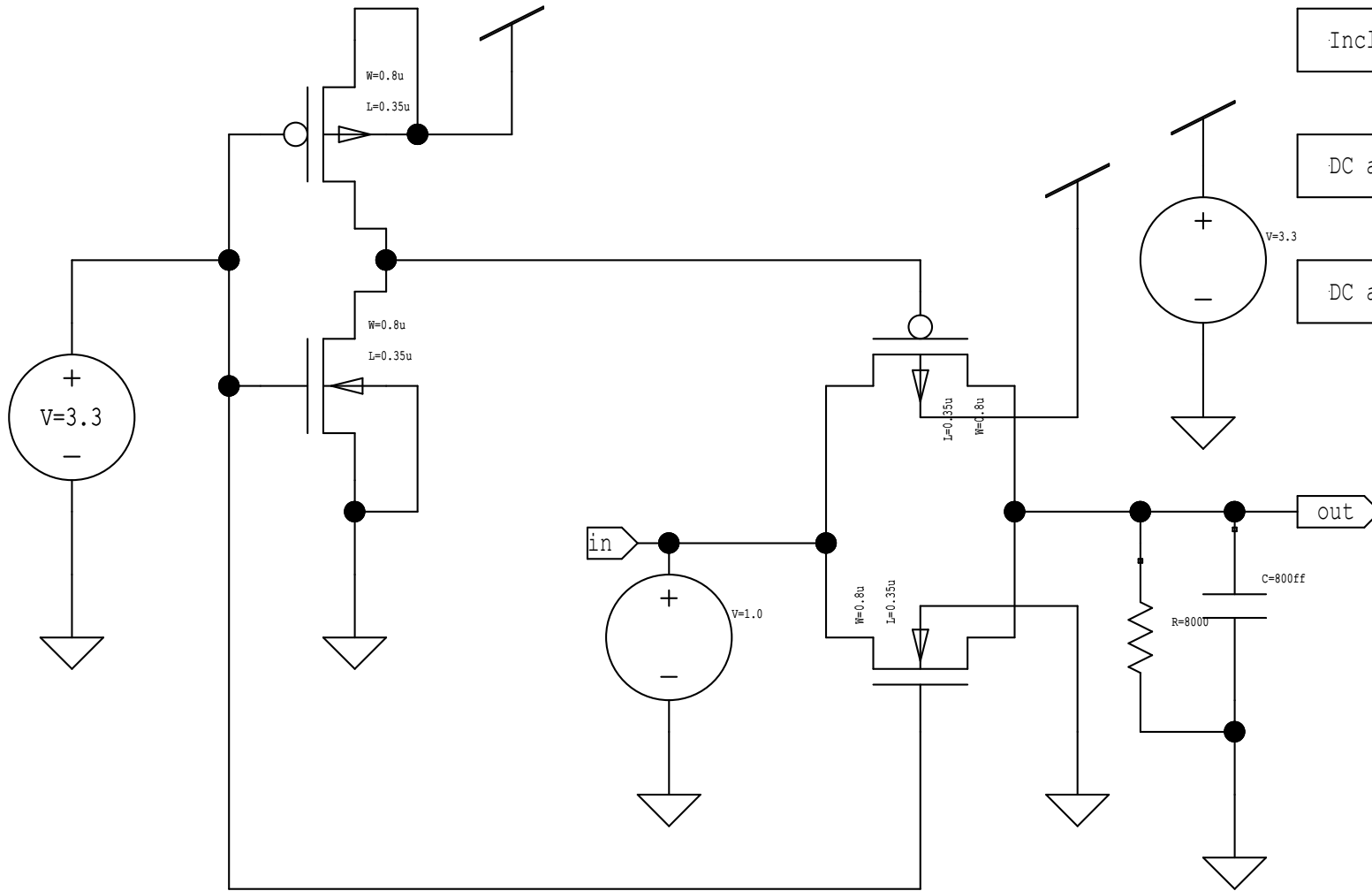


TRANSMISSION GATE



Include models

Include models

DC analysis

DC analysis output