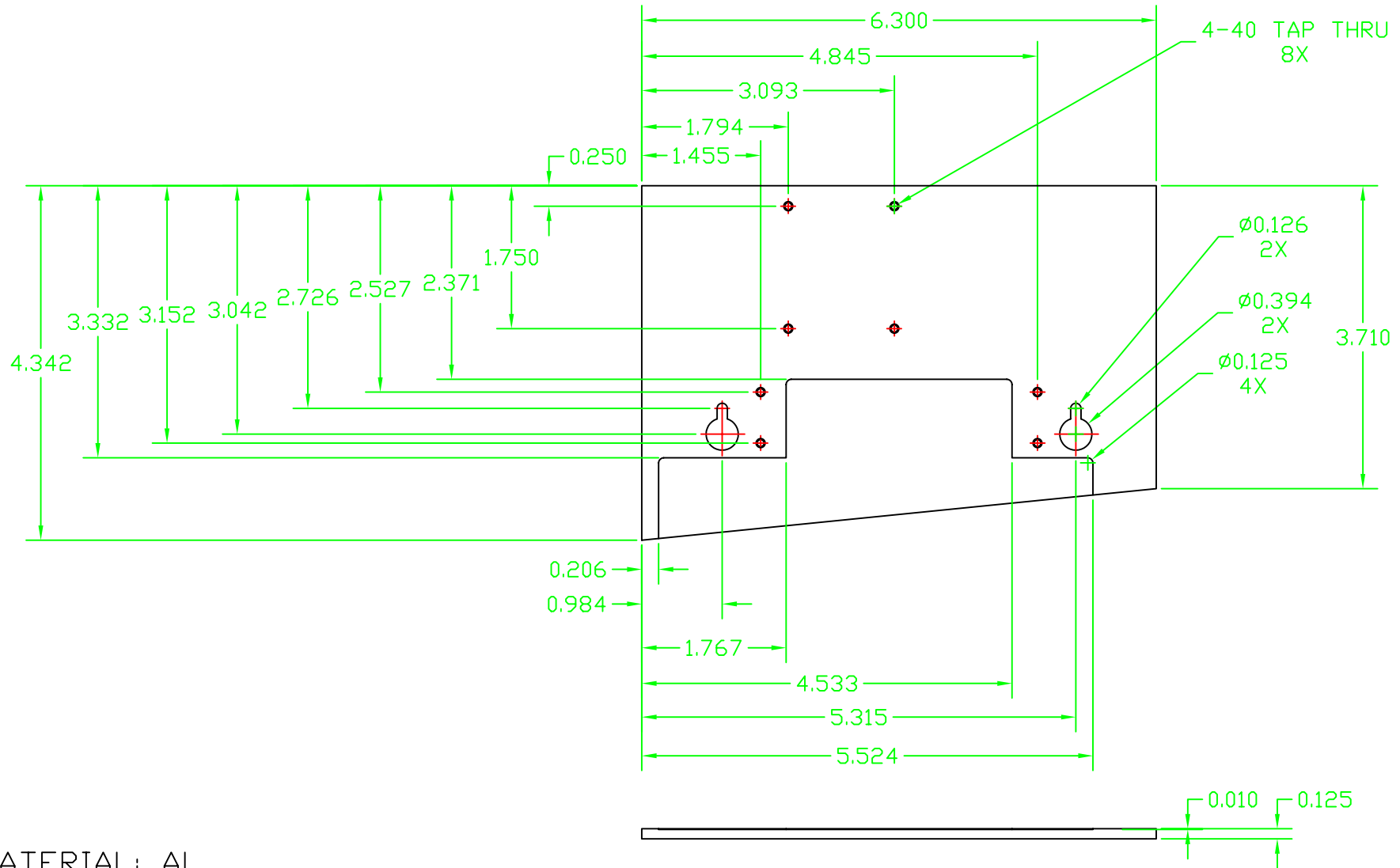


THIRD ANGLE PROJECTION

REVISIONS			
REV	DESCRIPTION	DATE	APPROVED



MATERIAL: AL

UNIVERSITY OF CALIFORNIA @ SANTA BARBARA			
UNLESS OTHERWISE SPECIFIED: DIMENSIONS ARE IN INCHES TOLERANCES DECIMALS .05 XX ± .05 XXX ± .005 DO NOT SCALE DRAWING		HIGH ENERGY PHYSICS	
DRAWN S. KYRE		DATE 11-25-03	
CHECKED		SIZE C	REV
DESIGN		DIRECTORY TEC	DWG NO. TEC-HY-PLATE-11
SCALE 1=1		SHEET OF	

HYBRID CARRIER FOR TEC MODULE RING 5 STERED