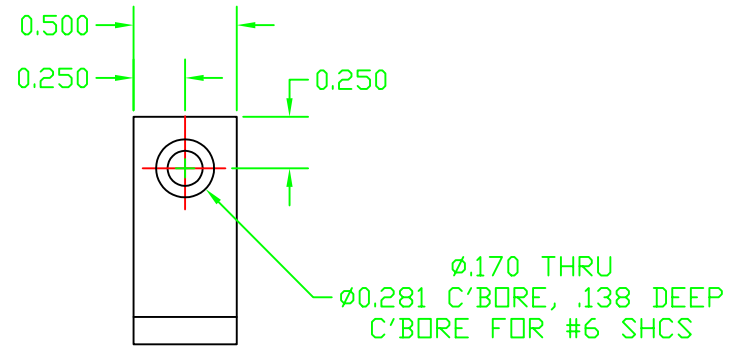
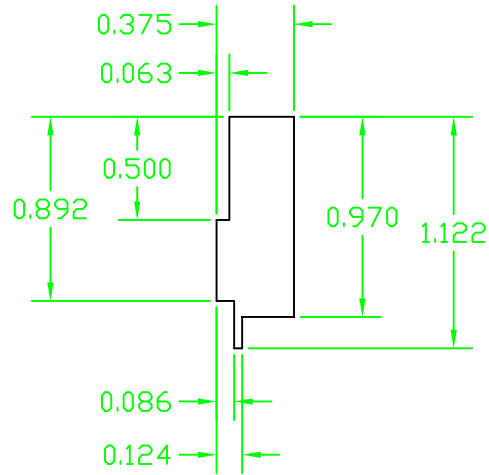


THIRD ANGLE PROJECTION

REVISIONS			
REV	DESCRIPTION	DATE	APPROVED
A	shorten length by .02"	08-19-03	
B	add ledge	08-22-03	



MATERIAL: AL
4 EA. REQUIRED

UNIVERSITY OF CALIFORNIA @ SANTA BARBARA			
UNLESS OTHERWISE SPECIFIED: DIMENSIONS ARE IN INCHES TOLERANCES DECIMALS .05 XX ± .05 XXX ± .005 DO NOT SCALE DRAWING		HIGH ENERGY PHYSICS	
DRAWN S. KYRE		DATE 07-24-03	
CHECKED		SIZE A	REV B
DESIGN		DIRECTORY ROD	DWG NO. MOD-PICK-RP-13
SCALE 1=1		SHEET OF	

SIDE STOP FOR R-PHI UP FACING MODULE
PICK UP TOOL