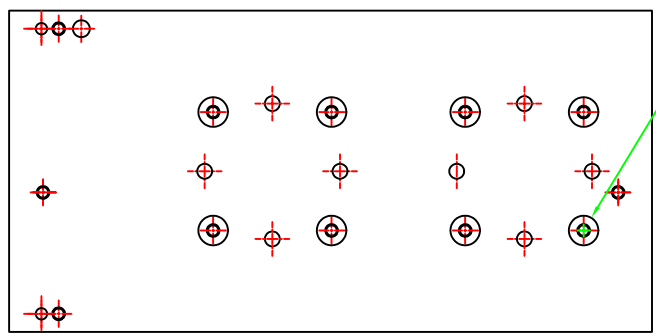
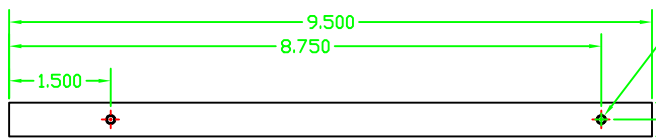


THIRD ANGLE PROJECTION

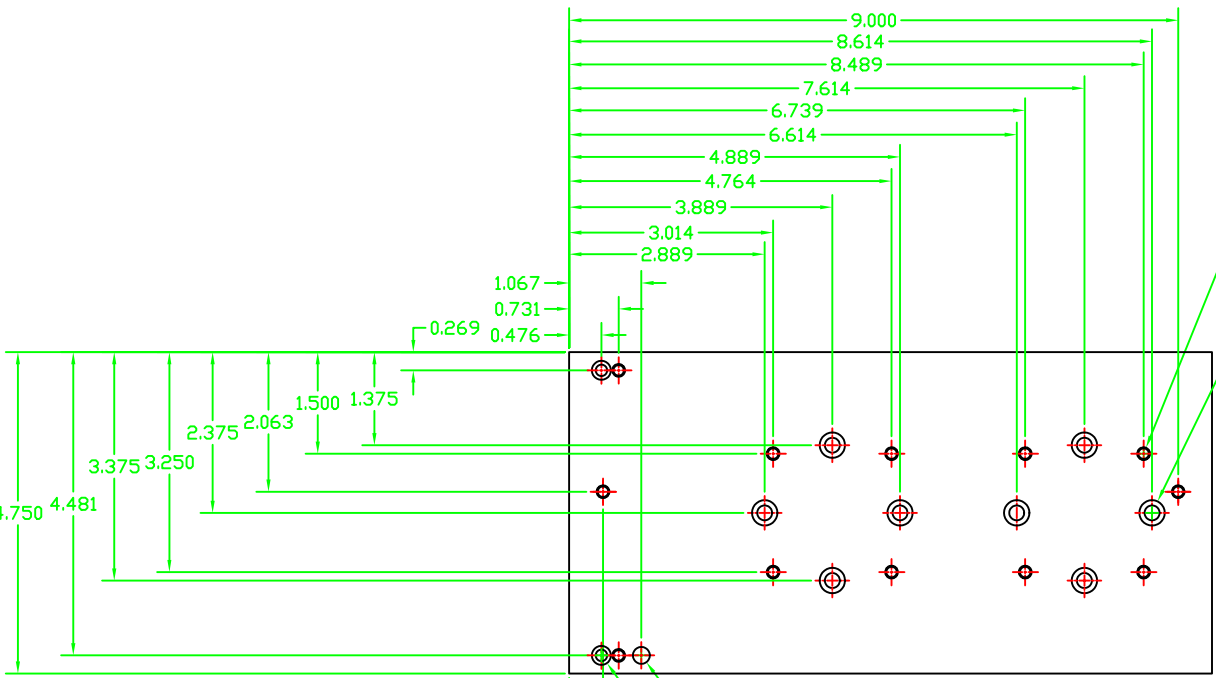
MATERIAL: 1/2" THICK STATIC DISSIPATIVE
CAST ACRYLIC
1 EA. REQUIRED



Ø0.438 C'BORE, 0.068 DEEP
8X



6-32 TAP .375 DEEP
4X



10-32 TAP THRU
12X

C'BORE FOR #10 SHCS
8X

Ø0.251 REAM THRU
SLIP FIT FOR PIN, DRAWING #: MOD-PICK-RP-15
C-BORE FOR #6 SHCS
2X

REVISIONS			
REV	DESCRIPTION	DATE	APPROVED
A	REMOVE SECOND DDWEL PIN HOLE	08-22-03	

UNIVERSITY OF CALIFORNIA @ SANTA BARBARA			
UNLESS OTHERWISE SPECIFIED: DIMENSIONS ARE IN INCHES TOLERANCES ARE AS SHOWN		HIGH ENERGY PHYSICS	
DRAWN S. KYRE		PICK UP TOOL FOR R-PHI MODULE, FRONTSIDE	
CHECKED	DATE	DWG NO.	REV
		mod-pick-rp-12	A
DESIGN	SCALE 1=1	SHEET	OF