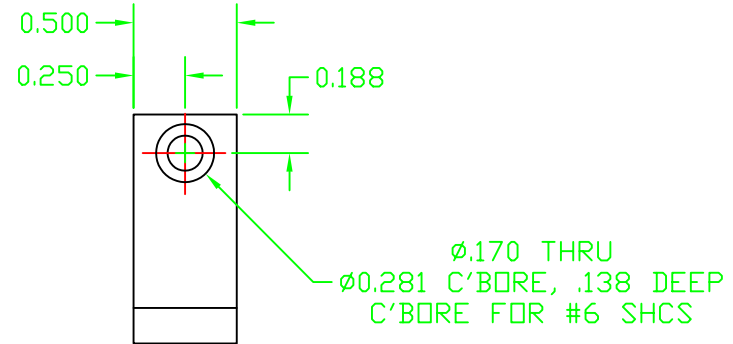
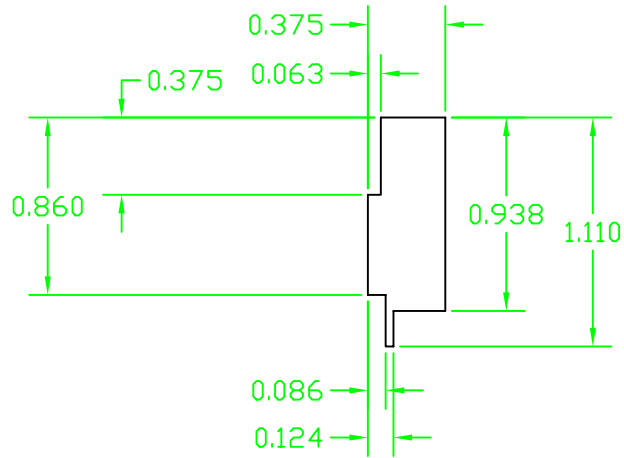


THIRD ANGLE PROJECTION

REVISIONS			
REV	DESCRIPTION	DATE	APPROVED
A	add ledge	08-22-03	



MATERIAL: AL
4 EA. REQUIRED

UNIVERSITY OF CALIFORNIA @ SANTA BARBARA			
UNLESS OTHERWISE SPECIFIED: DIMENSIONS ARE IN INCHES TOLERANCES DECIMALS ANGULAR XX ± .05 ± 0.5° XXX ± .005 DO NOT SCALE DRAWING		HIGH ENERGY PHYSICS	
DRAWN S. KYRE		DATE 07-11-03	
CHECKED		SIZE A	DIRECTORY ROD
DESIGN		DWG NO. MOD-PICK-RP-03	REV A
SCALE 1=1		SHEET OF	