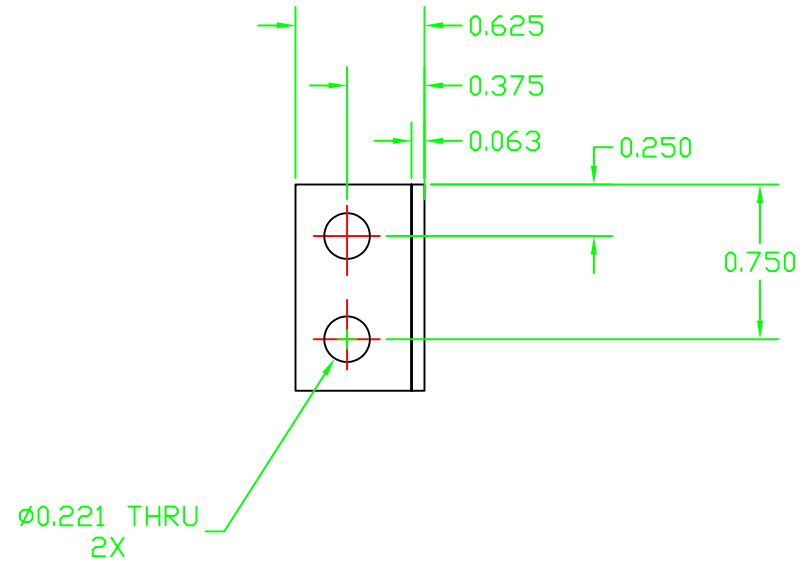
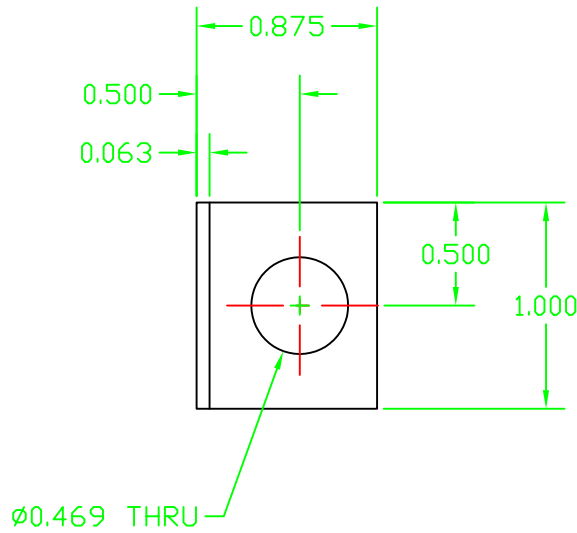


THIRD ANGLE PROJECTION

REVISIONS

| REV | DESCRIPTION | DATE | APPROVED |
|-----|-------------|------|----------|
| | | | |



MATERIAL: AL
3 EA. REQUIRED

| | | | | | |
|---|---------|-----------|----------|---|----------------|
| UNLESS OTHERWISE SPECIFIED: DIMENSIONS ARE IN INCHES TOLERANCES | | | | UNIVERSITY OF CALIFORNIA @ SANTA BARBARA | |
| DECIMALS | ANGULAR | | | HIGH ENERGY PHYSICS | |
| .XX ± .05 | ± 0.5° | | | BRACKET FOR RELEASE VALVE FOR FLIP TOOL FOR R-PHI MODULE | |
| .XXX ± .005 | | | | | |
| DO NOT SCALE DRAWING | | | | | |
| DRAWN | S. KYRE | DATE | 10-21-03 | SIZE | A |
| CHECKED | | DIRECTORY | ROD | DWG NO. | mod-flip-rp-05 |
| DESIGN | | SCALE | 1=1 | SHEET | OF |