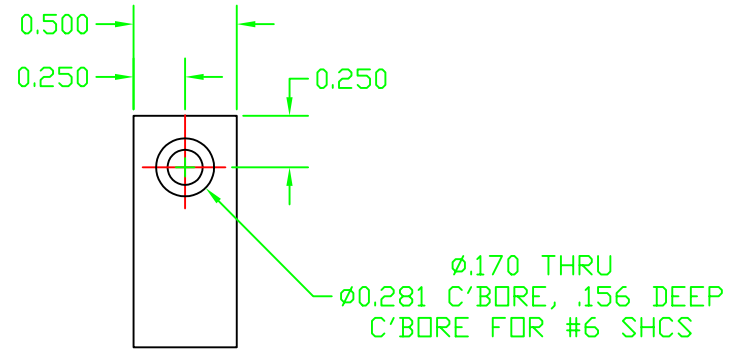
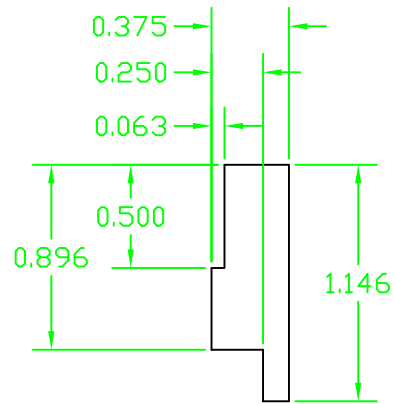


THIRD ANGLE PROJECTION

REVISIONS			
REV	DESCRIPTION	DATE	APPROVED
A	add ledge	08-21-03	



MATERIAL: AL
4 EA. REQUIRED

UNIVERSITY OF CALIFORNIA @ SANTA BARBARA			
UNLESS OTHERWISE SPECIFIED: DIMENSIONS ARE IN INCHES TOLERANCES DECIMALS ANGULAR .XX ± .05 ± 0.5° .XXX ± .005 DO NOT SCALE DRAWING		HIGH ENERGY PHYSICS	
DRAWN S. KYRE		DATE 08-19-03	
CHECKED		SIZE A	REV A
DESIGN		DIRECTORY ROD	DWG NO. MOD-FLIP-RP-04
SCALE 1=1		SHEET OF	

SIDE STOP FOR R-PHI MODULE FLIP TOOL