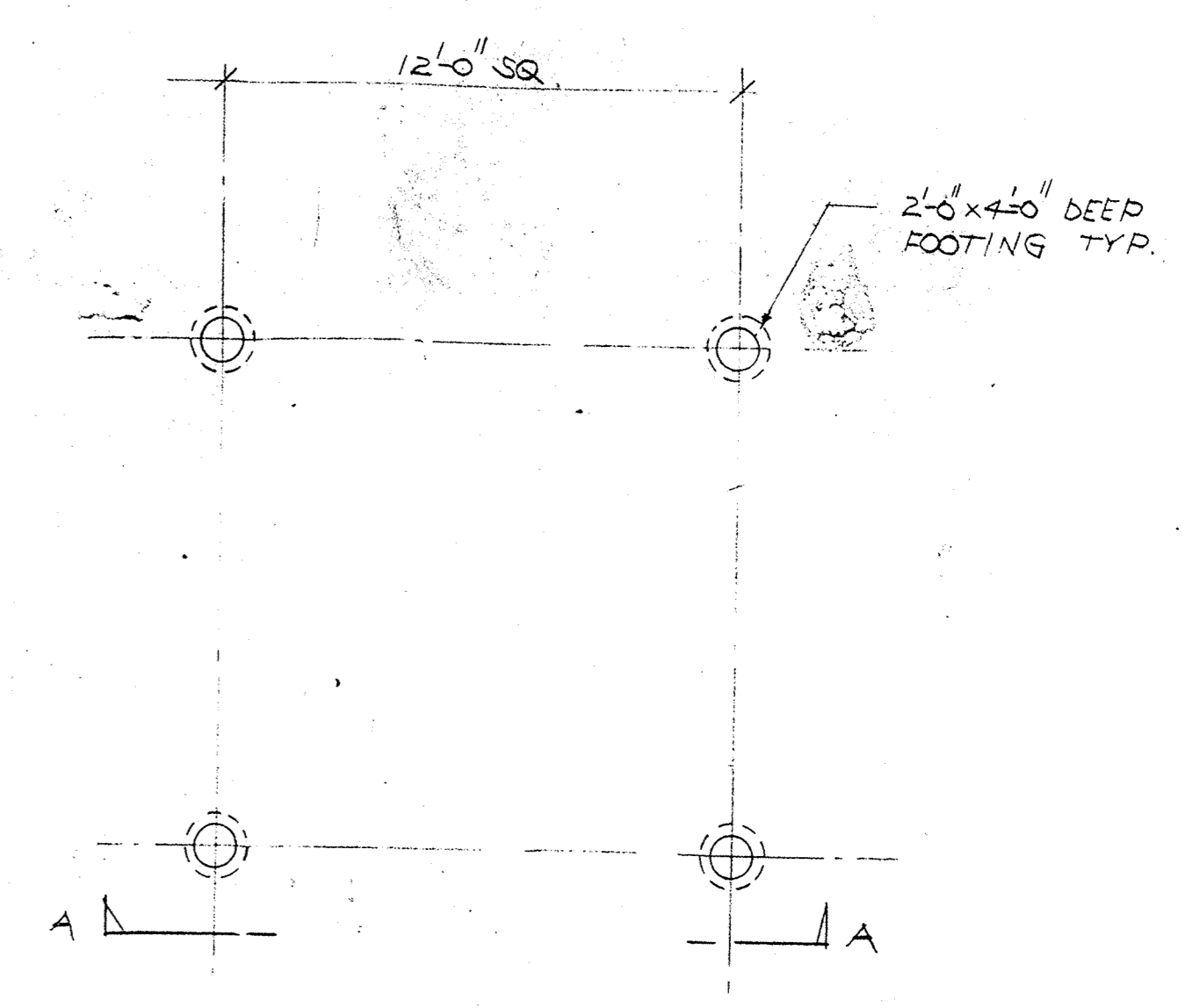
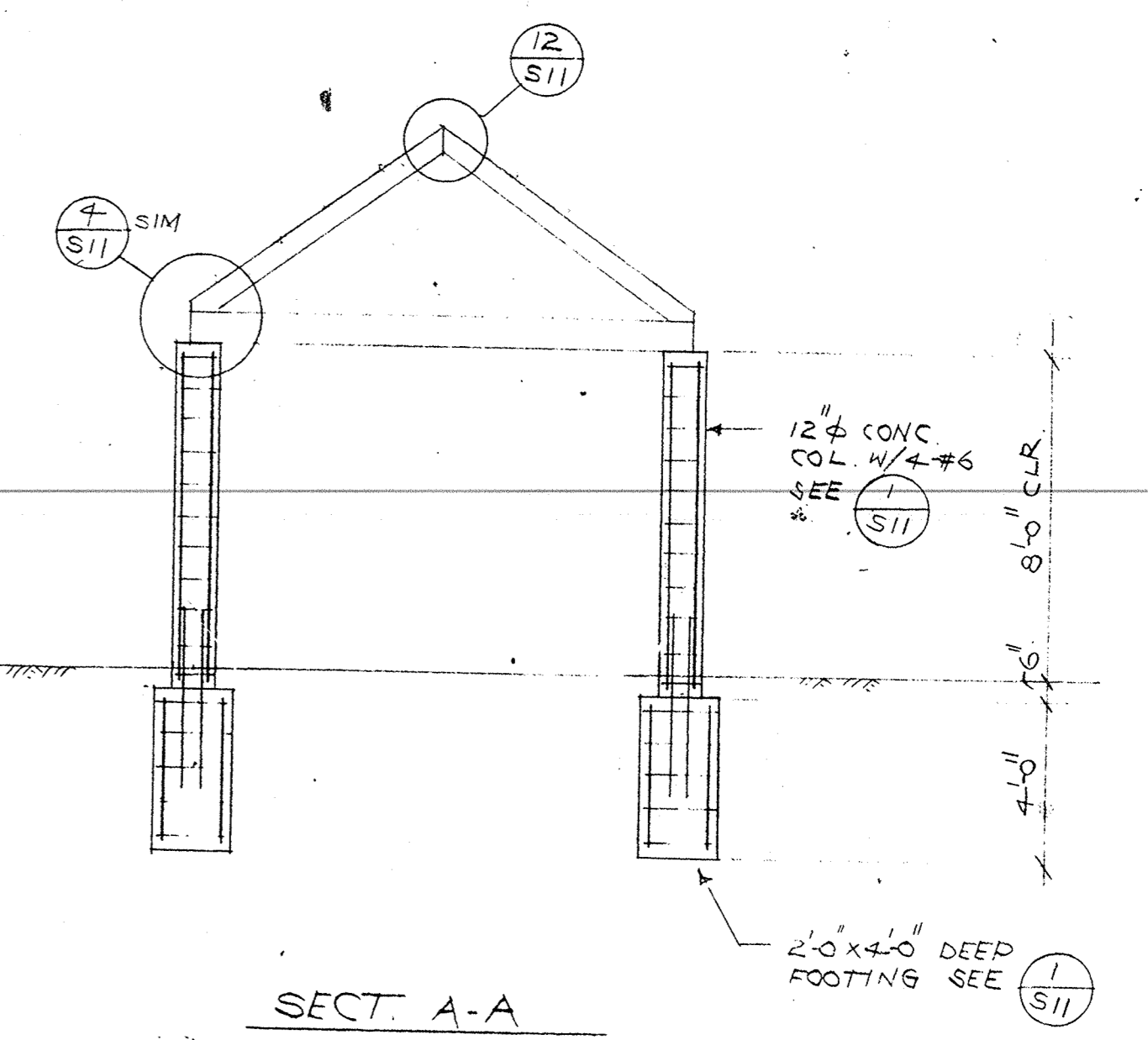


POOL AREA FOUNDATION PLAN

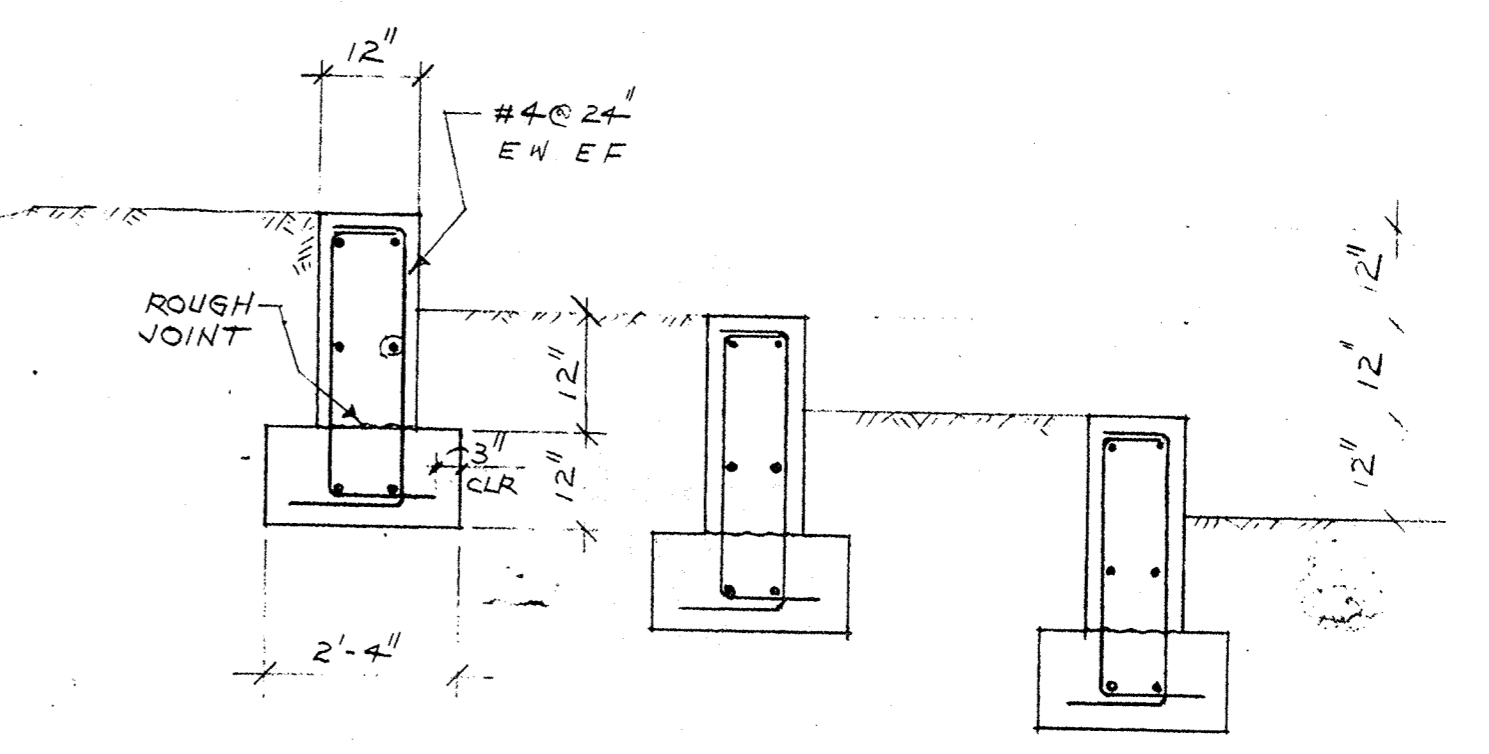


FOUNDATION PLAN

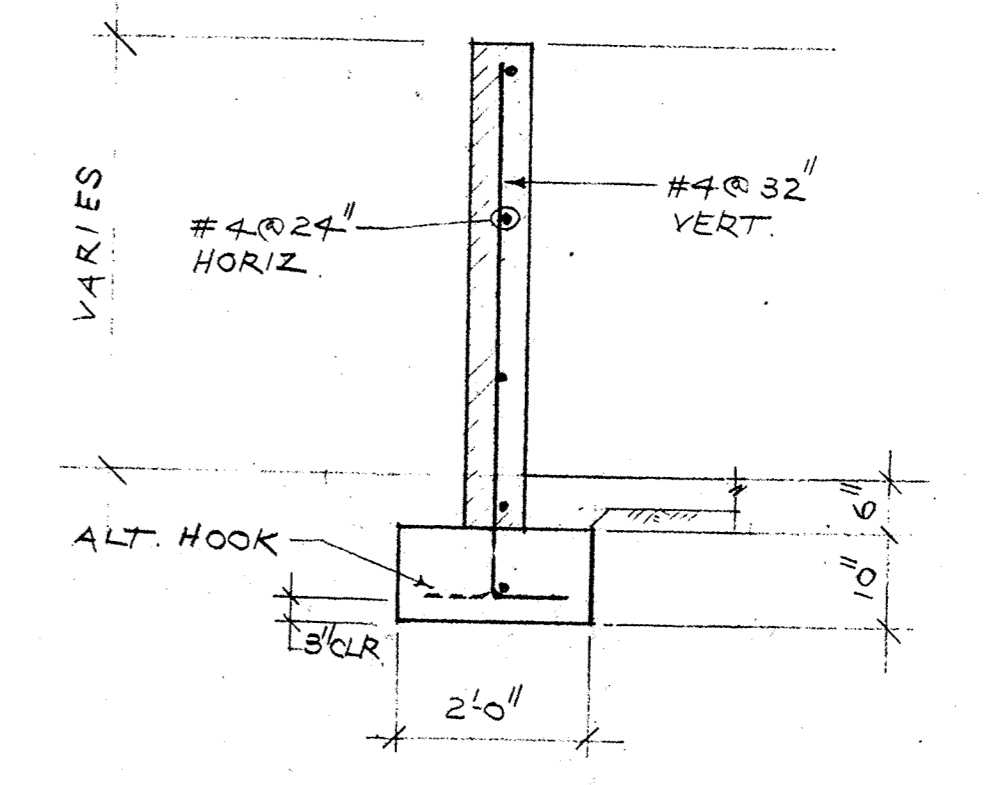


SECT A-A

B. B Q ENCLOSURE AREA



CIRCULAR SEATING AREA SECTION



WALL AT TRASH ENCLOSURE

no.	date	by
revision		

**IBI**  
Group  
Architects and Planners  
399 San Miguel Drive  
Suite 200  
Newport Beach, California  
92660  
(714) 644-4091  
L. Paul Zajfen

**Albert G. Preskyc Associates**  
11645 Wilshire Blvd.  
Suite 780  
Los Angeles, California 90025  
(213) 820-8957  
CONSULTING STRUCTURAL ENGINEERS  
*Anthony Serai*

project title

U · C · S · B

sheet title  
POOL AREA,  
FOUNDATION PLAN  
& DETAILS

scale	date
1/2" = 1'-0"	8-28-85
drawn	checked
project no.	sheet no.
	59 OF 11

This drawing, as an instrument of service, is the property of the architects and may not be reproduced without their permission and unless the reproduction carries their name. All designs and other information shown on this drawing are for use on the specified project only and shall not be used otherwise without written permission of the architects.  
Written dimensions shall have precedence over scaled dimensions. Contractors shall verify and be responsible for all dimensions and conditions on the job and the architects shall be informed of any variations from the dimensions and conditions shown on the drawing. Shop drawings shall be submitted to the architects for approval before proceeding with fabrication.