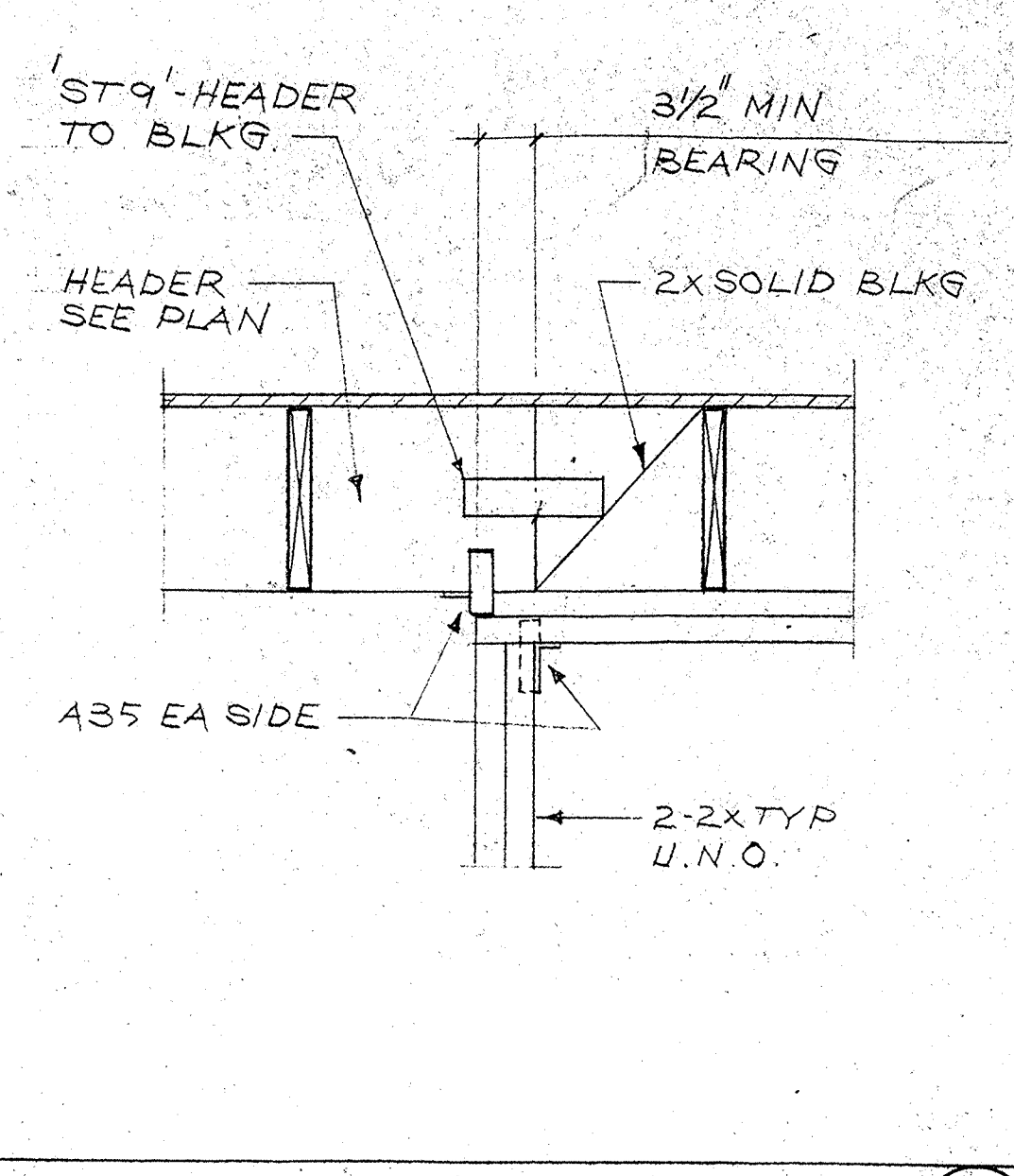
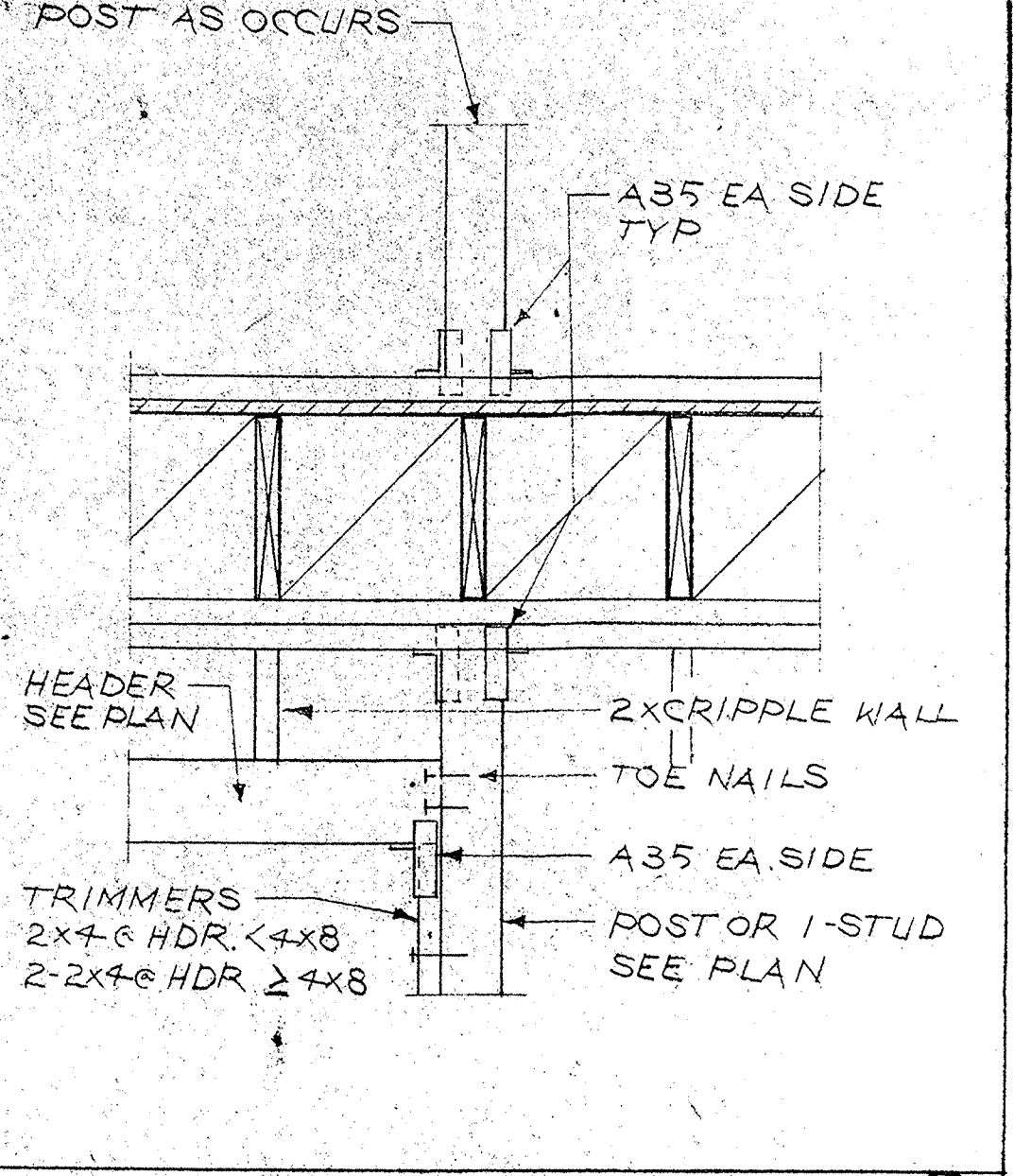


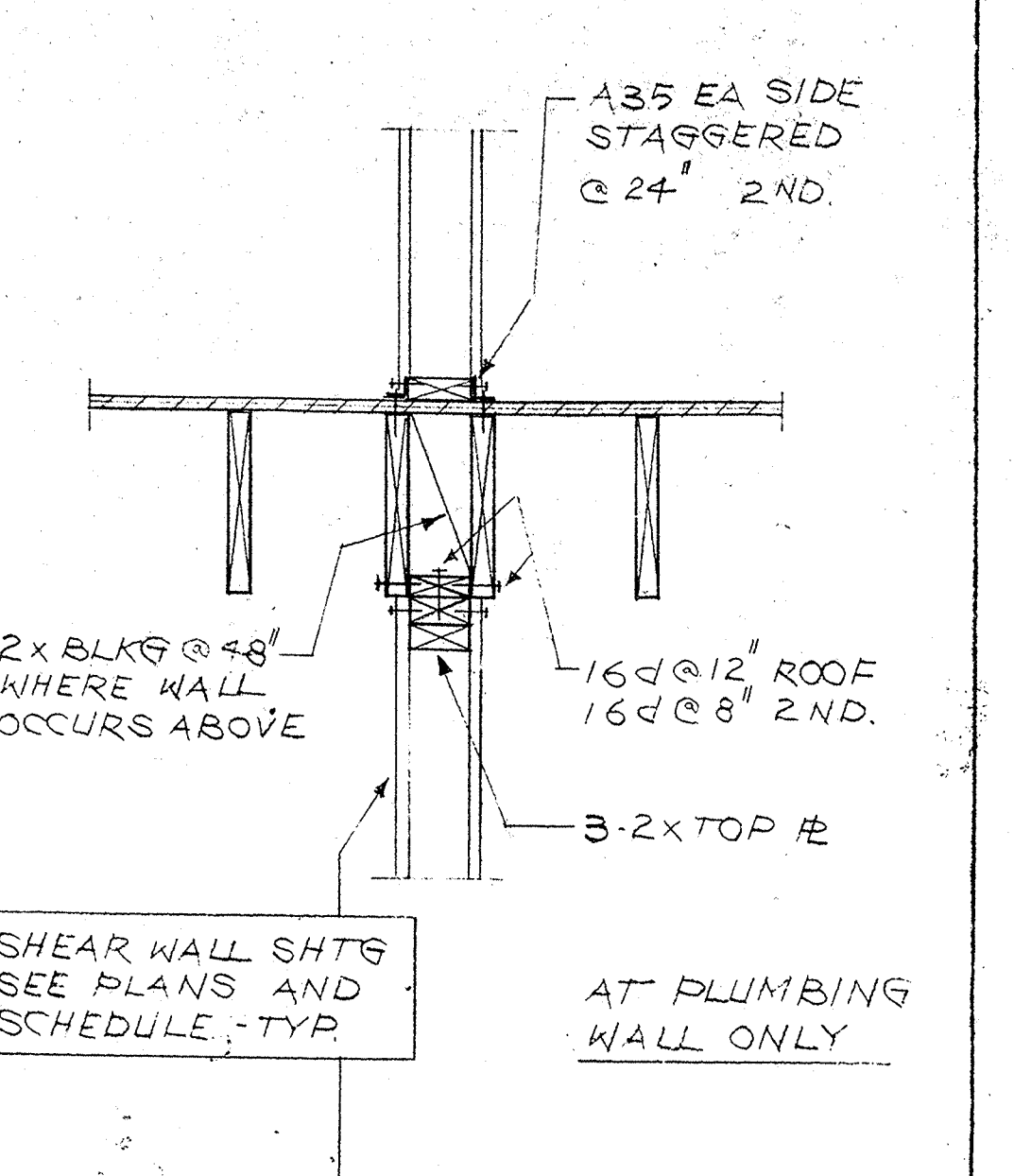
TYPICAL PLYWOOD SHEAR WALL DETAIL (14)



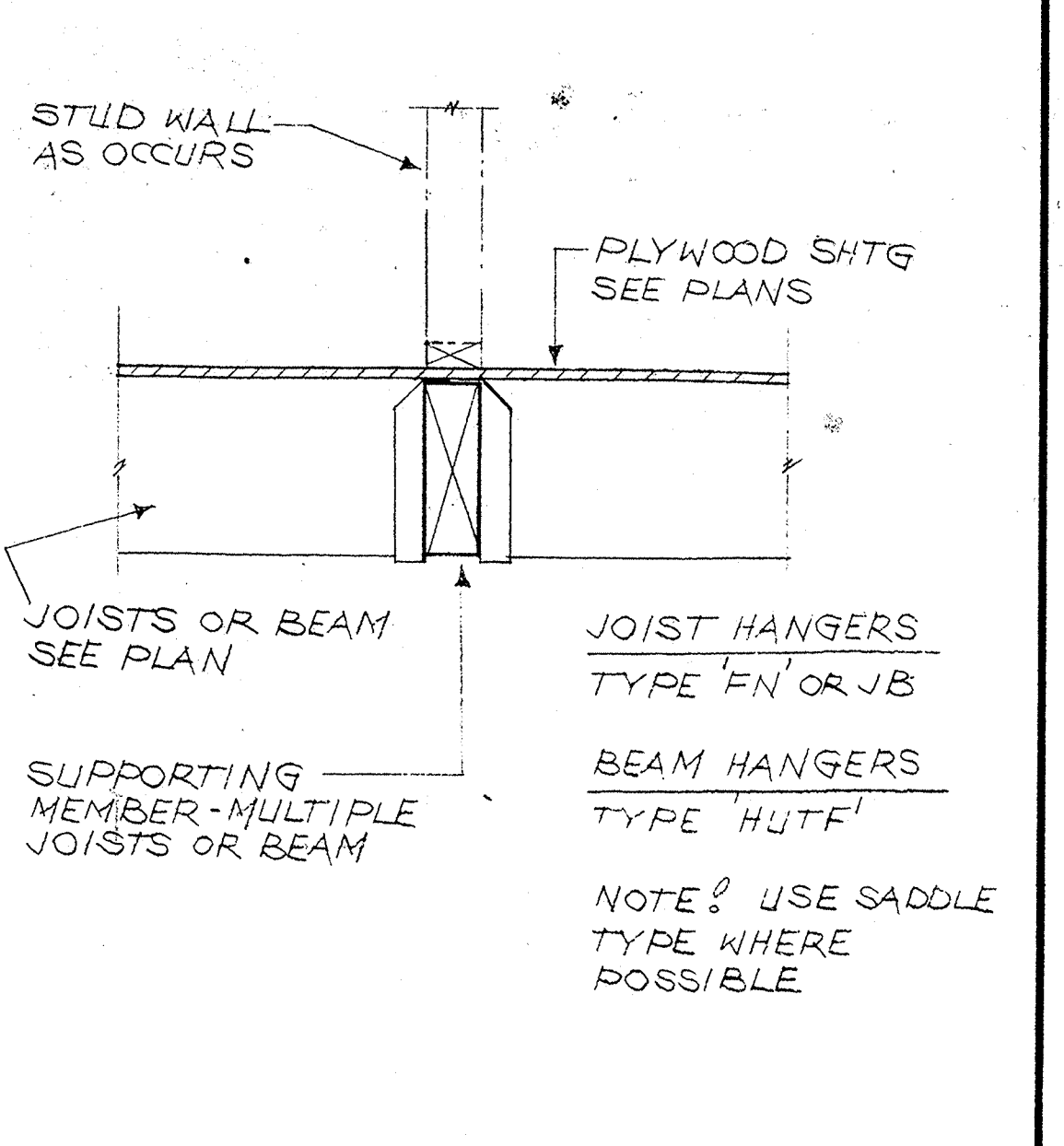
TYPICAL FLUSH HEADER (11)



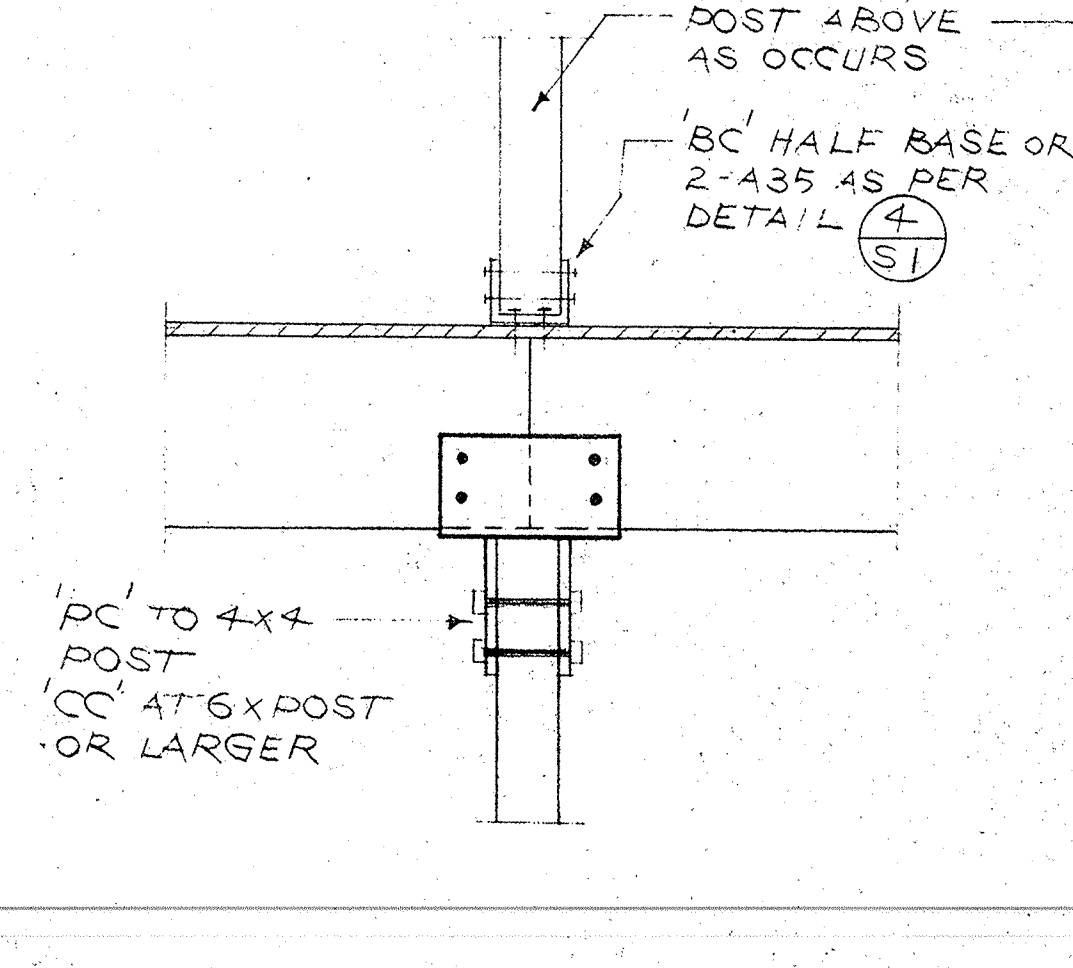
TYPICAL DROPPED HEADER (7)



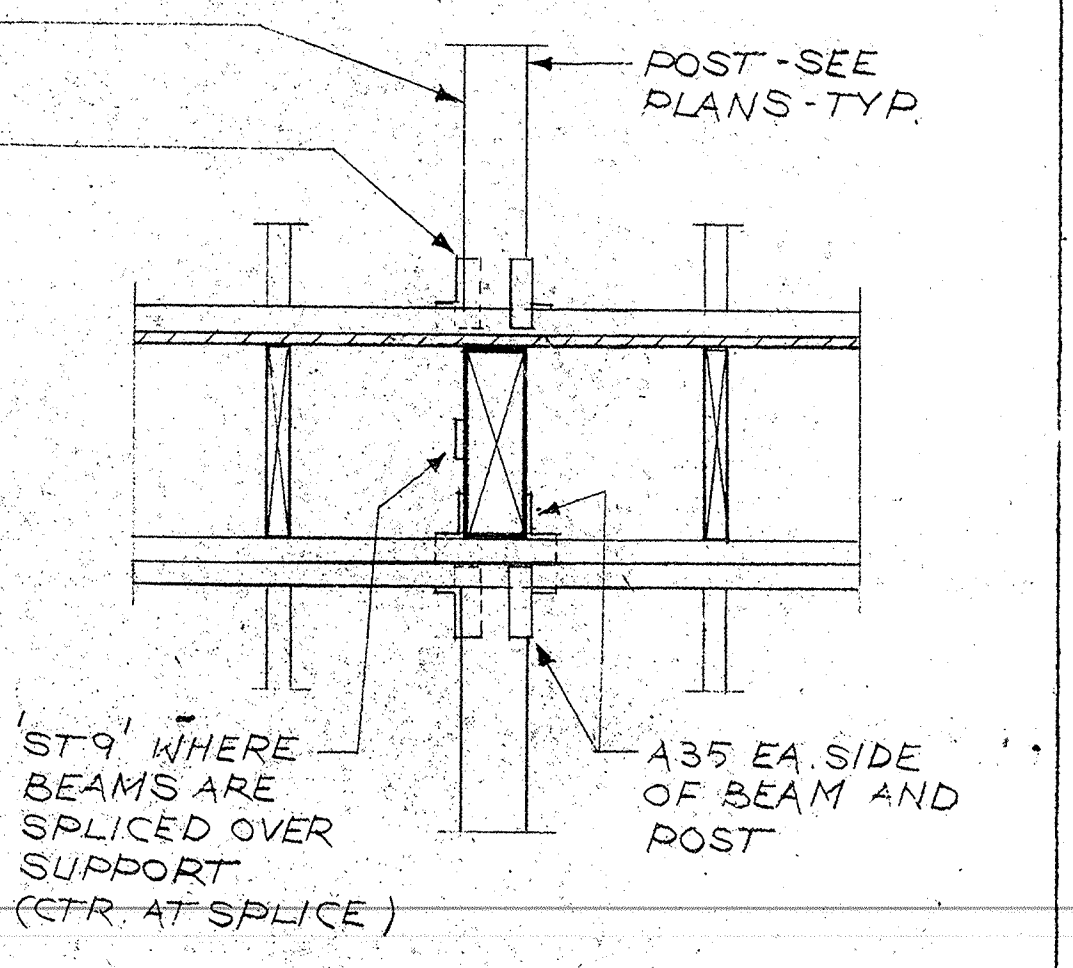
TYP. BEAM OR JOIST FLUSH FRMG (1)



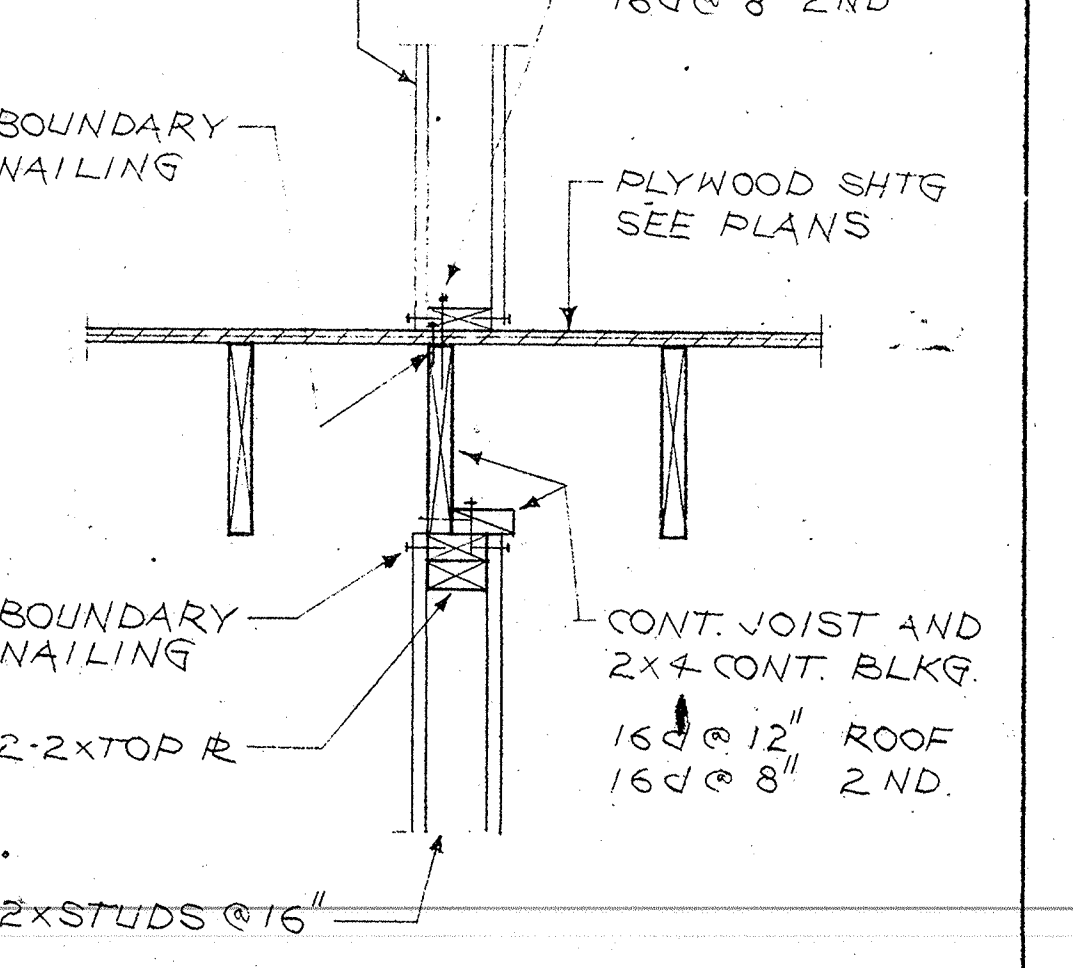
TYP. BEAM TO ISOLATED POST (12)



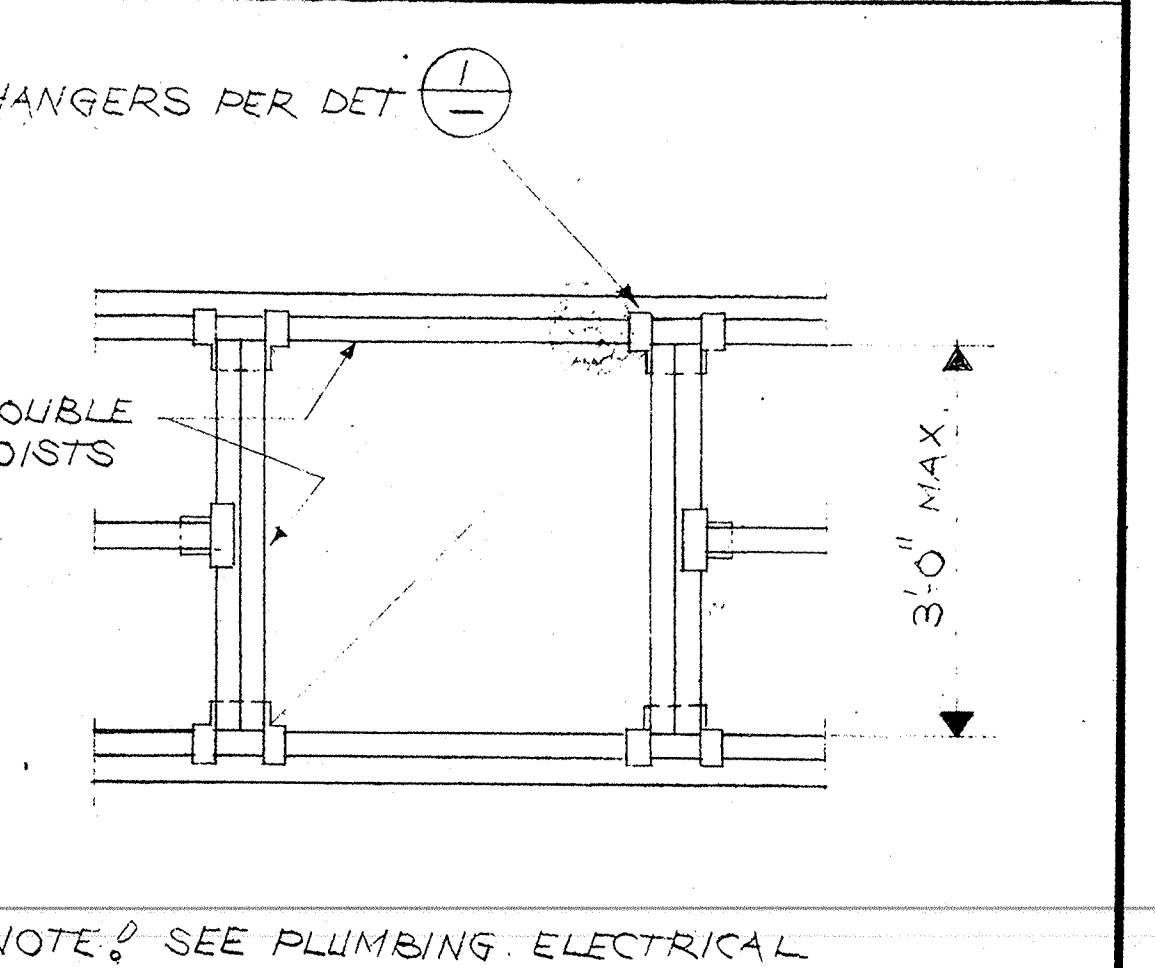
TYP. BEAM TO POST IN WALL (8)



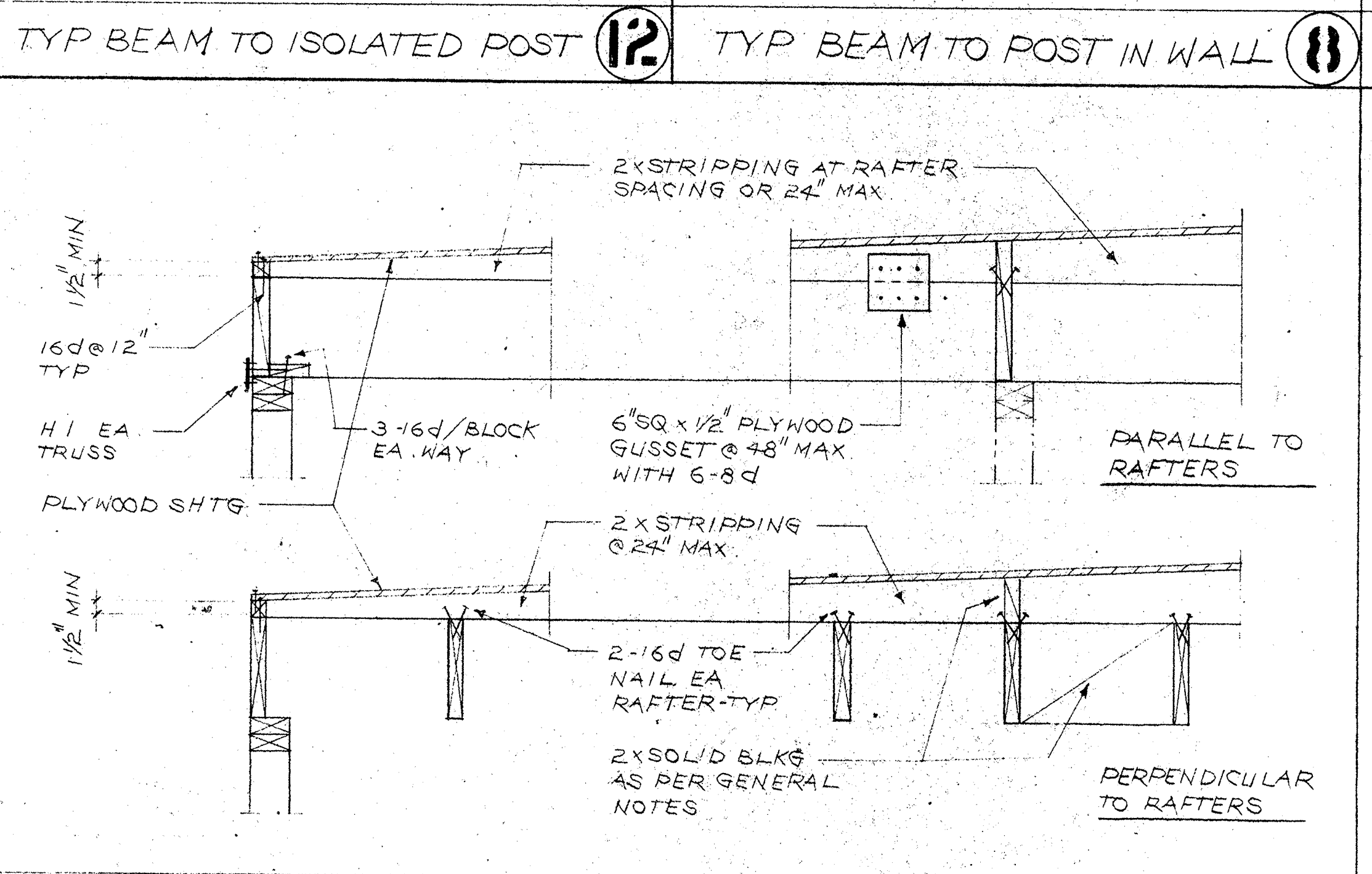
TYP. NON-BEARING SHEAR WALL (5)



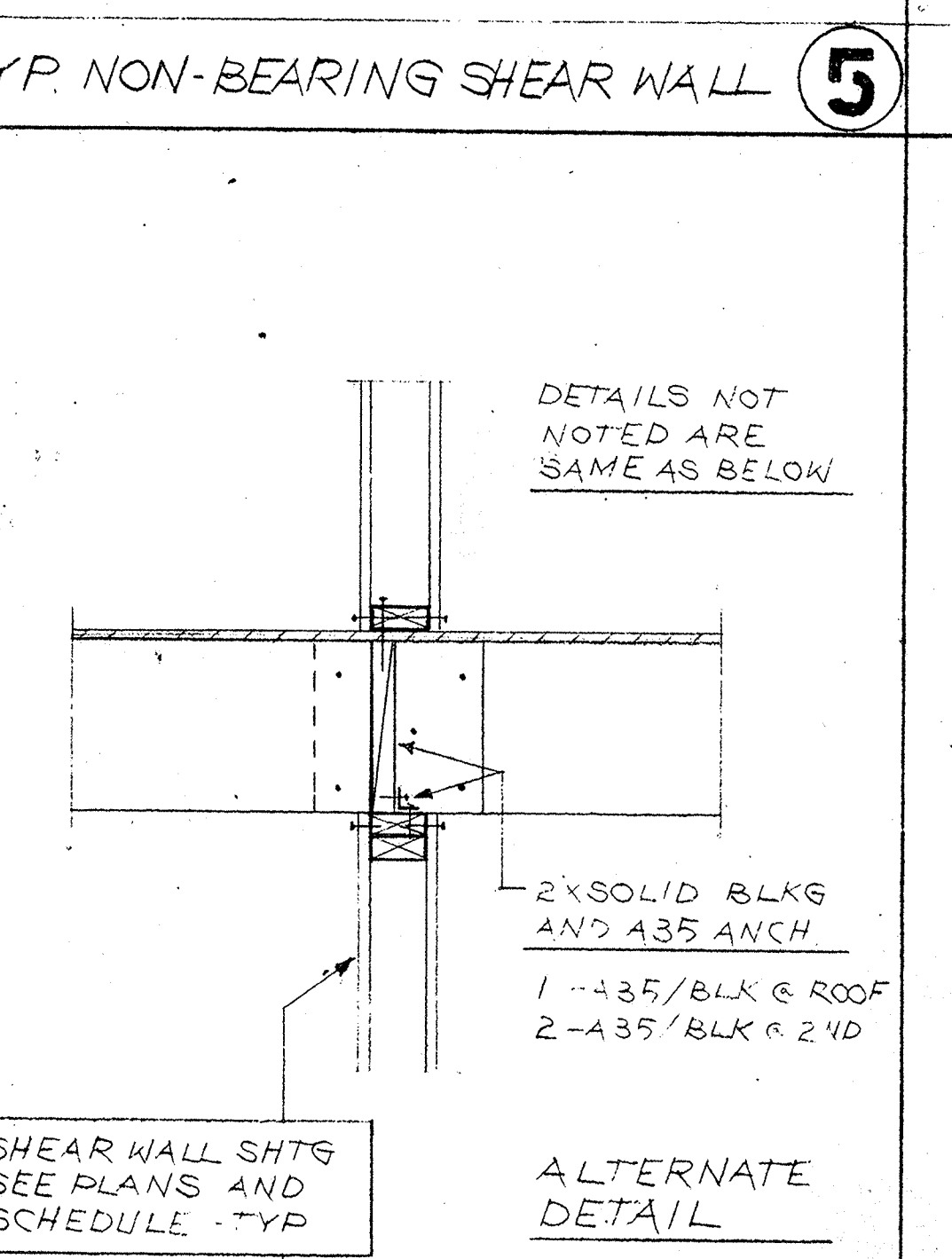
TYP. ROOF AND FLOOR OPENING (2)



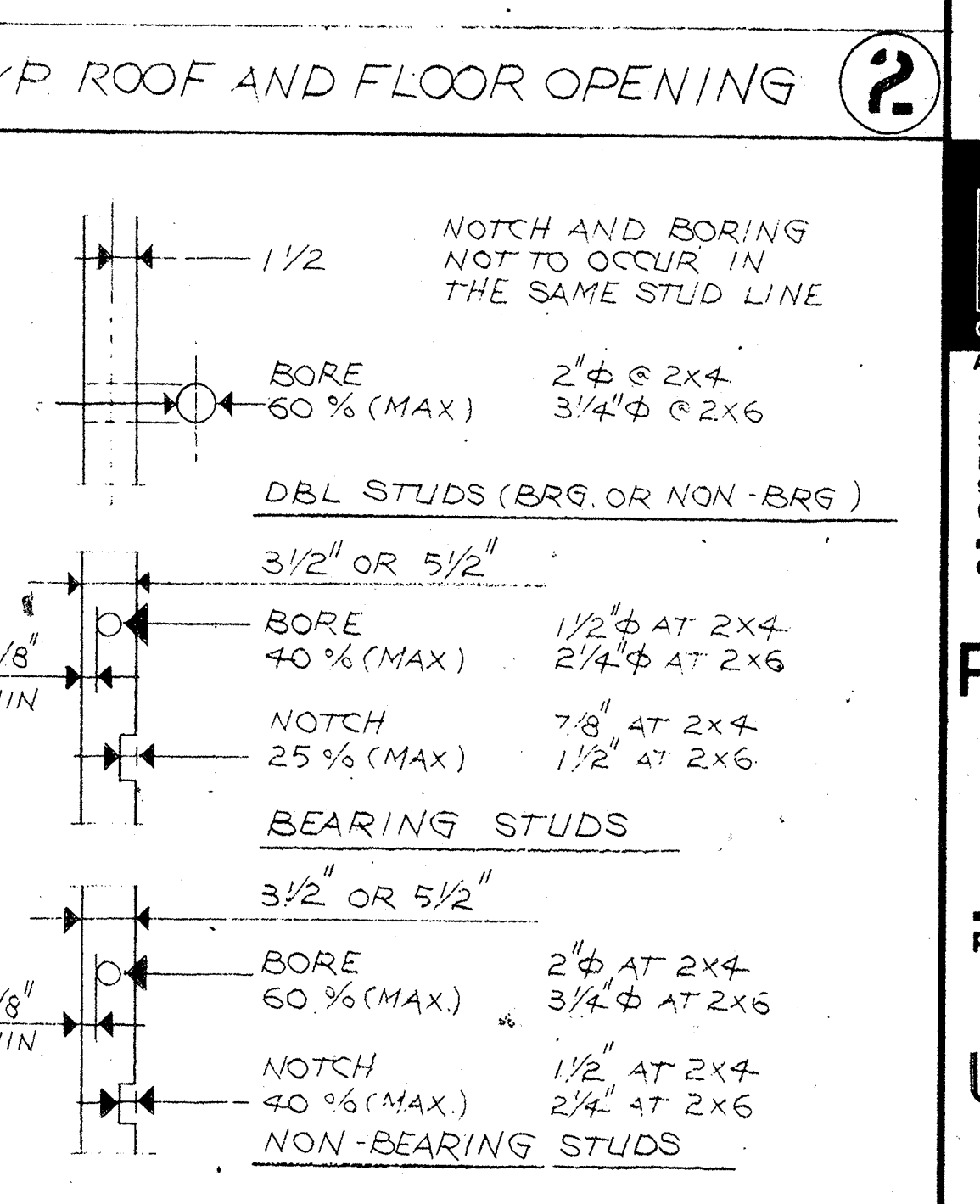
TYP. CUTTING AND BORING OF STUDS (3)



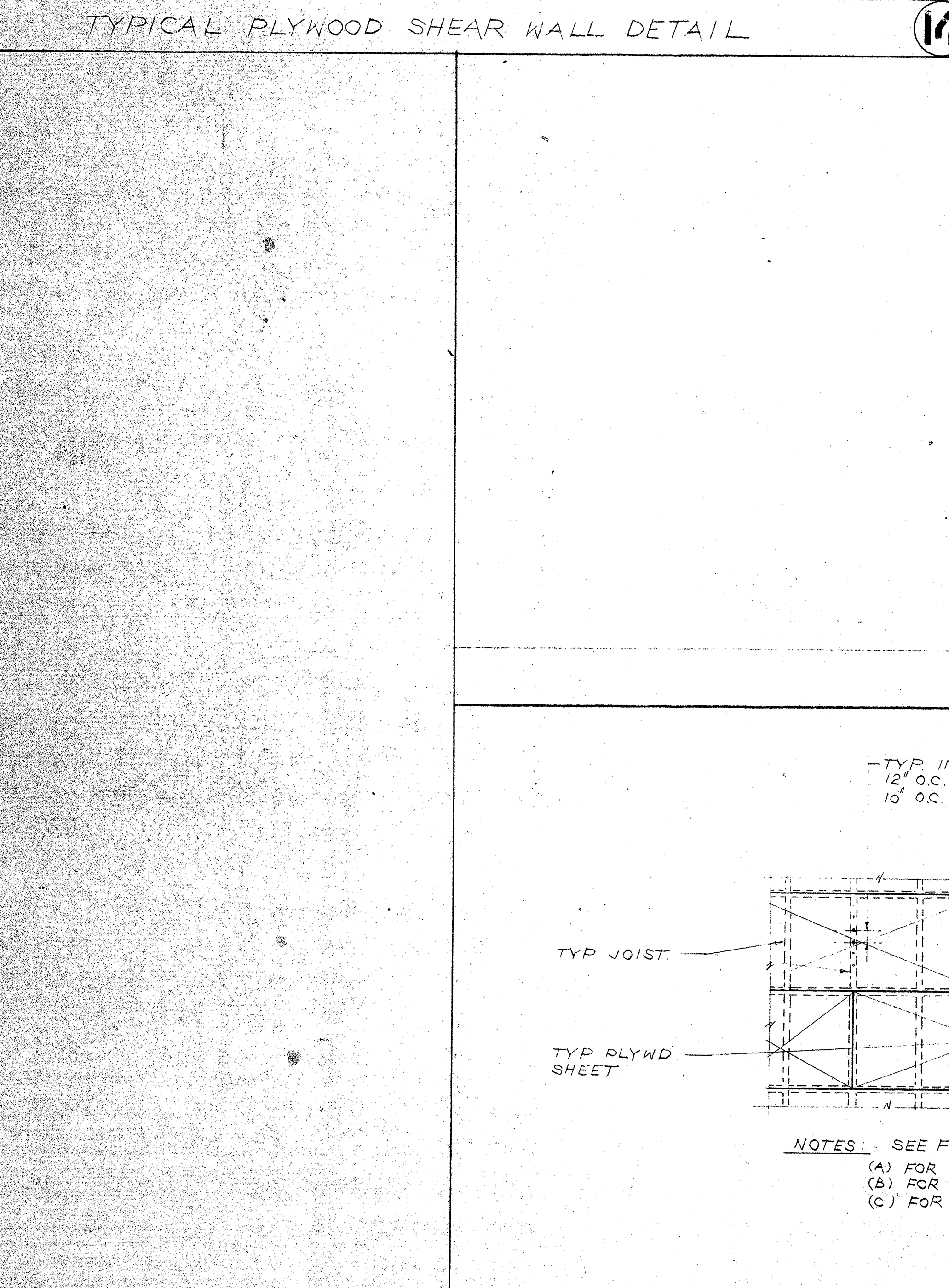
TYPICAL FLAT ROOF STRIPPING DETAILS (9)



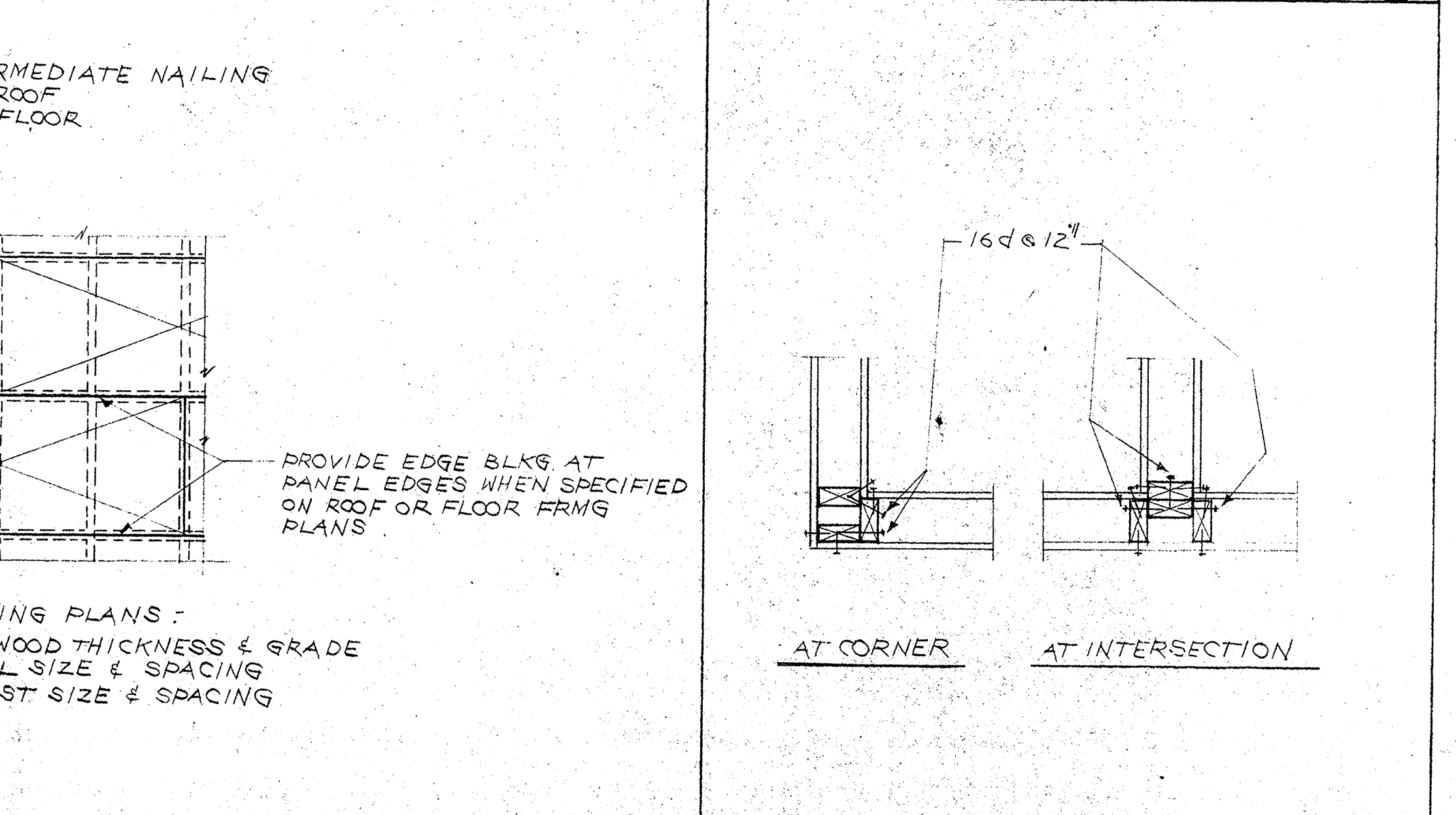
TYP. BEARING SHEAR WALL (6)



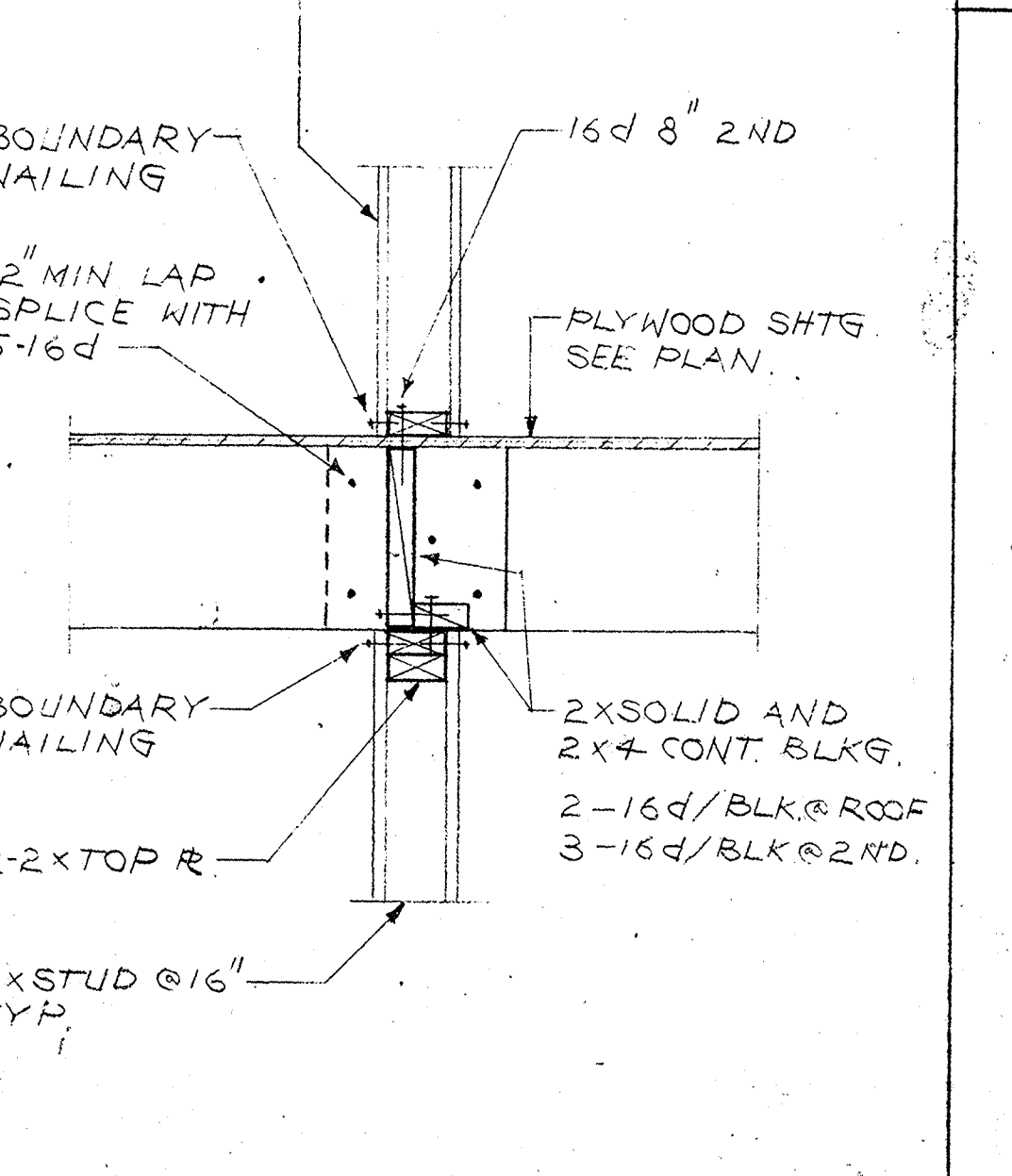
TYP. FLOOR OR ROOF WOOD NOTES (4)



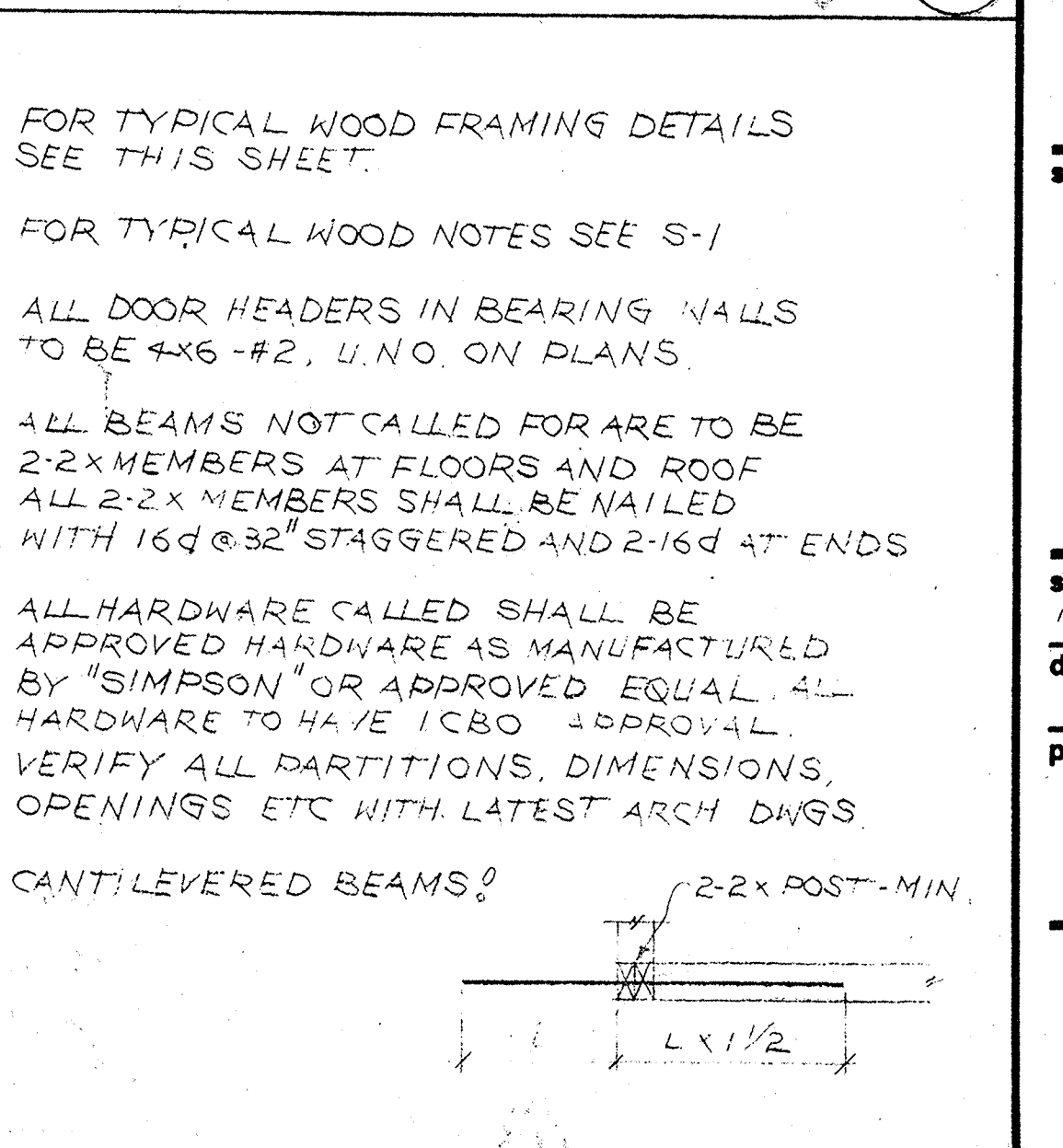
PLYWOOD ROOF OR FLOOR SHEATHING (13)



TYP SHEAR WALL PLAN DETAILS (10)



TYP BEARING SHEAR WALL (6)



TYP. FLOOR OR ROOF WOOD NOTES (4)

no.	date	by

revision

BI
Group
Architects and Planners
359 San Miguel Drive
Suite 200
Newport Beach, California
92660
(714) 644-4091

Albert G. Presky Associates
CONSULTING STRUCTURAL ENGINEERS
11645 Wilshire Blvd.
Suite 780
Los Angeles, California 90025
(213) 820-8857

project title

U.C.S.B.

sheet title

TYPICAL DETAILS, WOOD FRAMING

scale	NO SCALE	date	8-28-85
drawn	B.V.	checked	
project no.		sheet no.	52 OF 11

This drawing, as an instrument of service, is the property of the architect and may not be reproduced without their permission and unless the reproduction carries their name. All designs and other information shown on this drawing are for use on the specified project only and shall not be used otherwise without written permission of the architect.

Unless otherwise noted, all dimensions shall have precedence over scaled dimensions. Contractors shall verify and be responsible for all dimensions and conditions on the job and the architect shall be informed of any variations from the dimensions and conditions shown on the drawing. Shop drawings shall be submitted to the architect for approval before proceeding with fabrication.