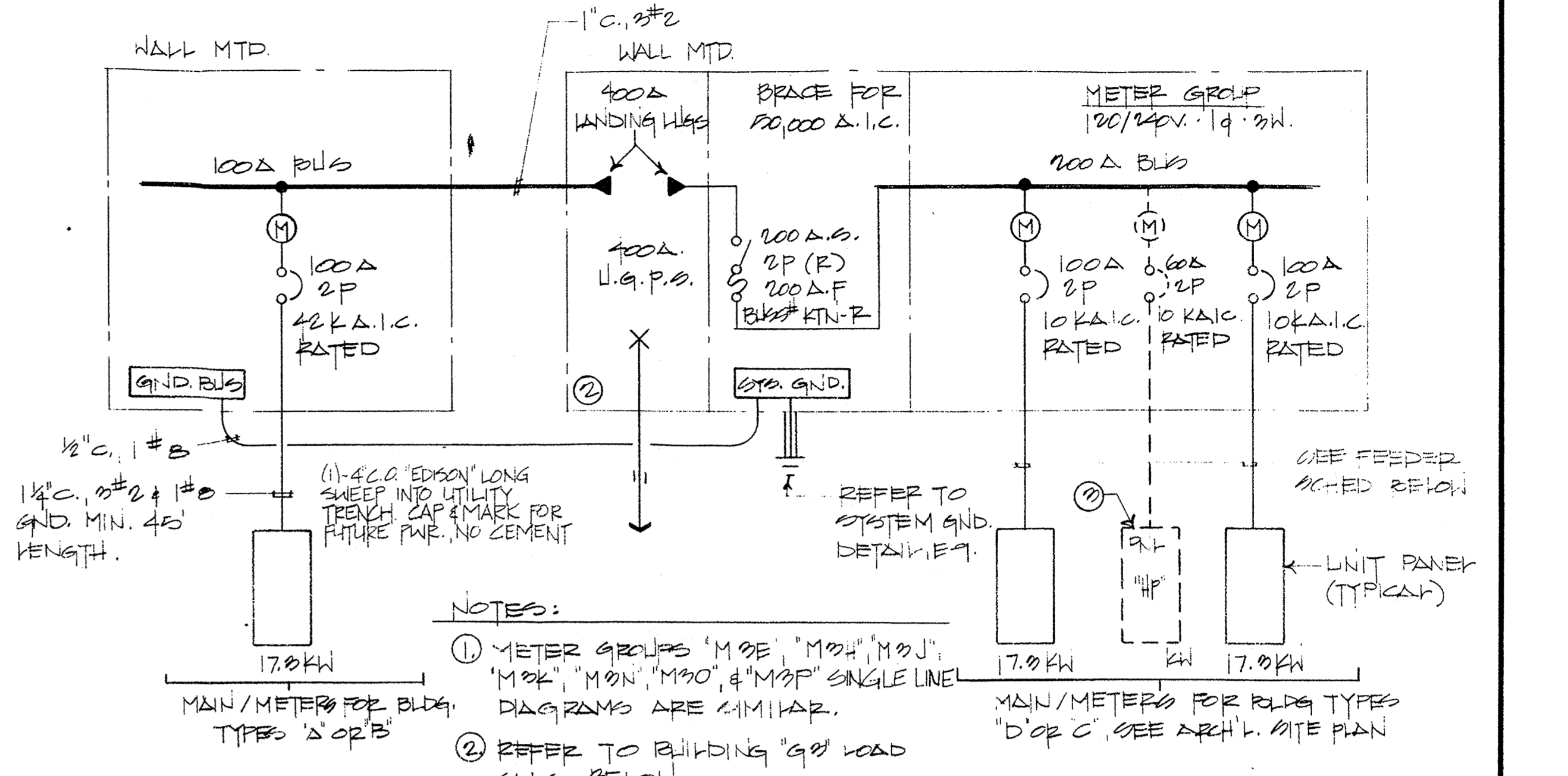
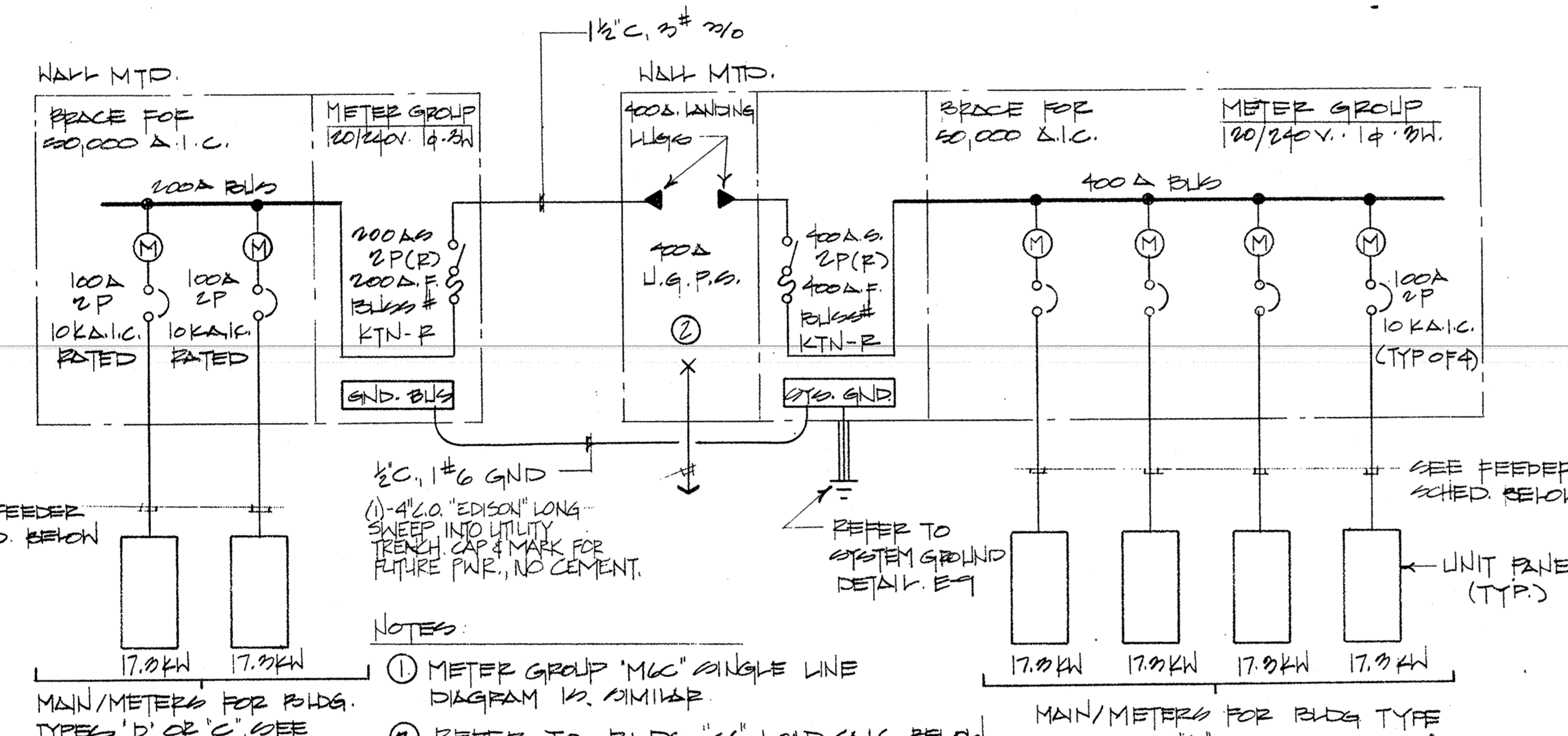


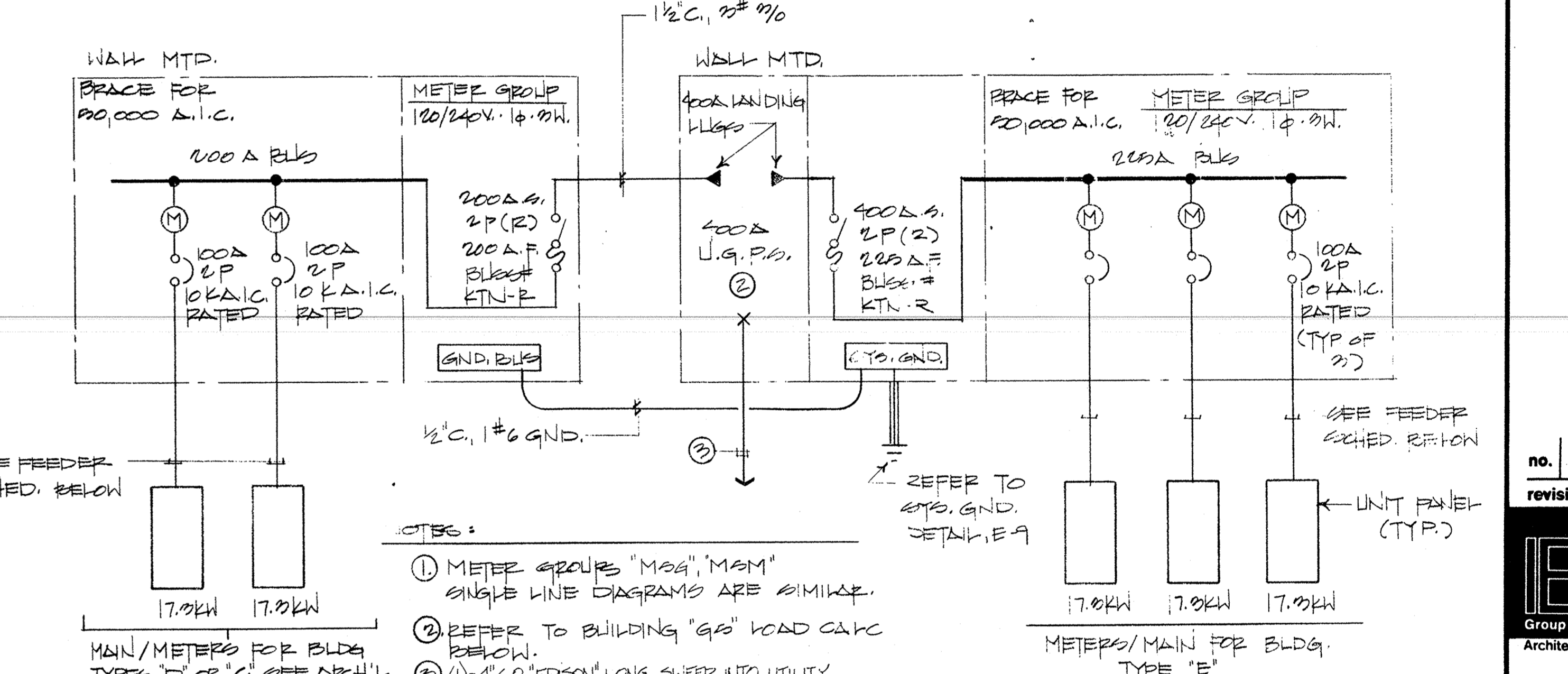
METER GROUP "M4B" SINGLE LINE DIAGRAM N.T.S.



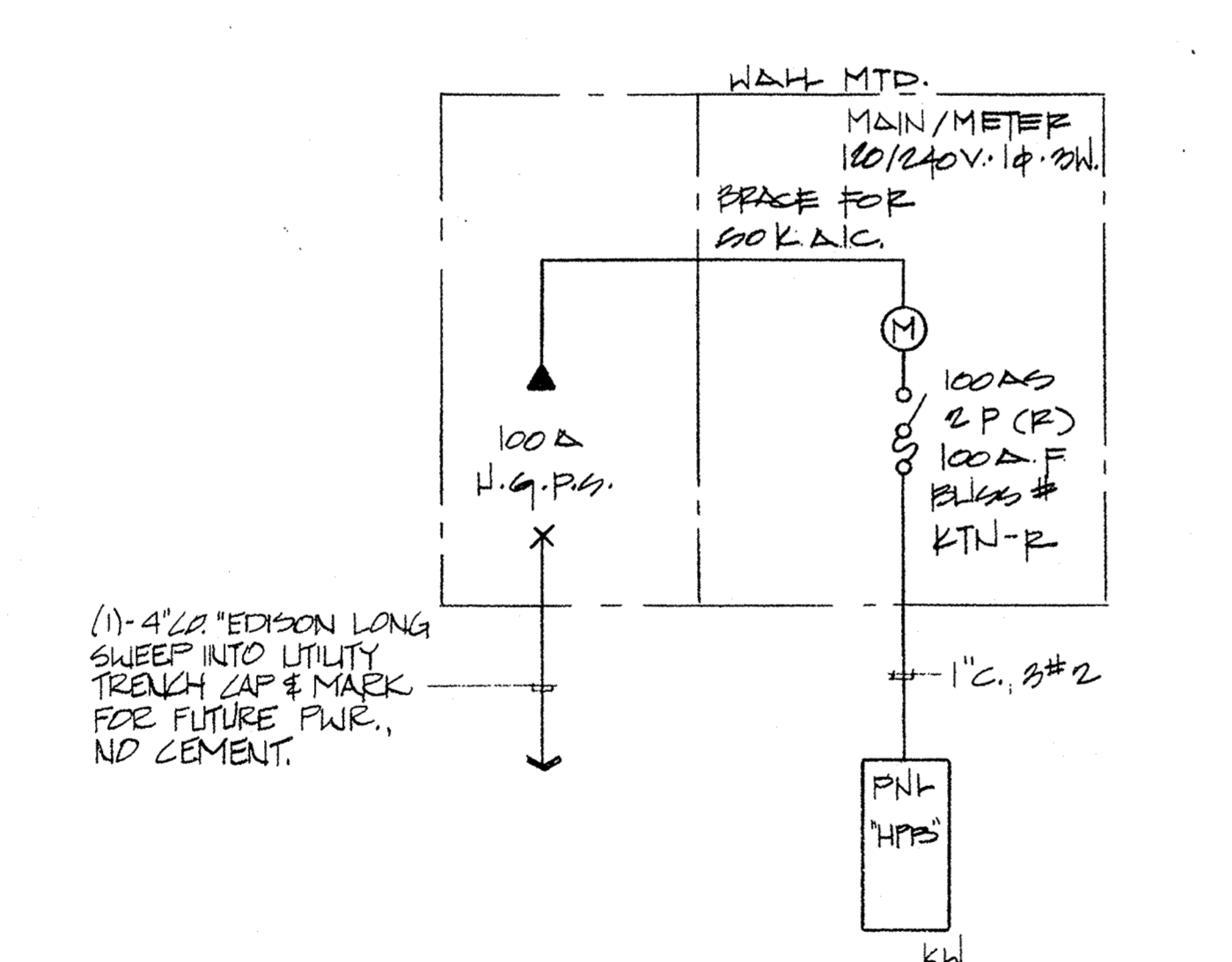
METER GROUP "M9D" SINGLE LINE DIAGRAM N.T.S.



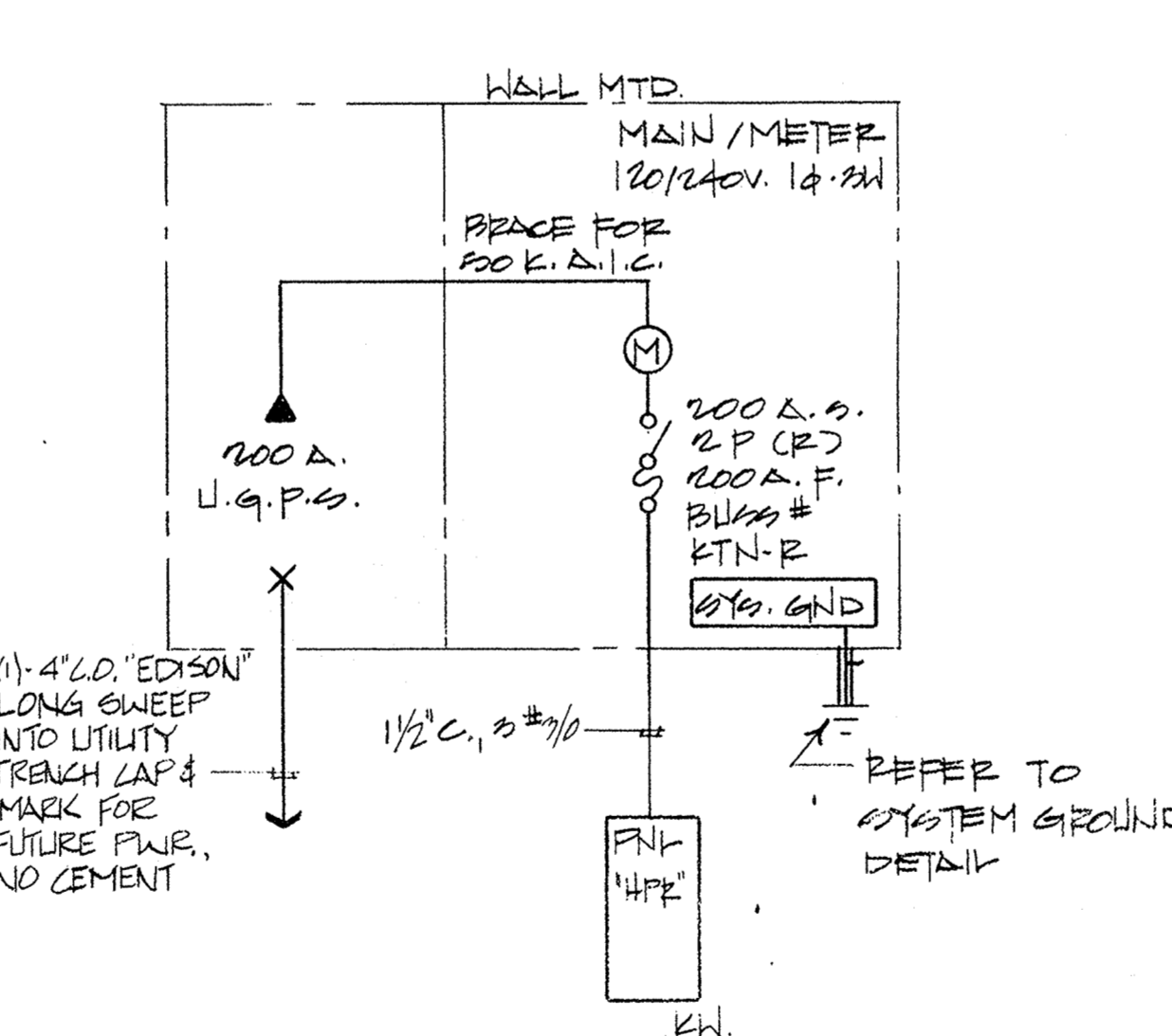
METER GROUP "M6A" SINGLE LINE DIAGRAM N.T.S.



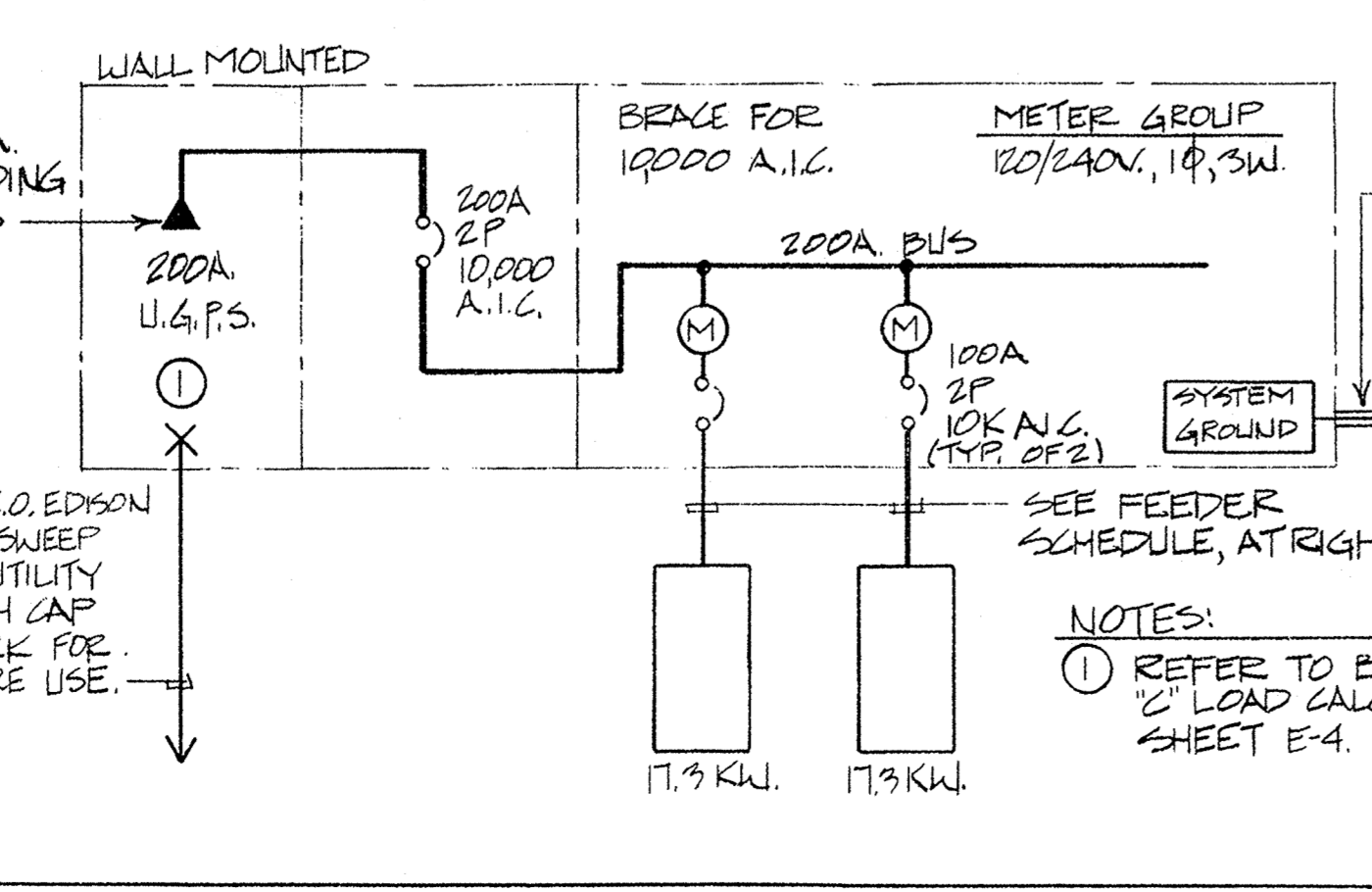
METER GROUP "M9F" SINGLE LINE DIAGRAM N.T.S.



JACUZZI BUILDING SINGLE LINE DIAGRAM N.T.S.



REC. CENTER SINGLE LINE DIAGRAM N.T.S.



METER GROUP "M20" SINGLE LINE DIAGRAM N.T.S.

FEEDER SCHEDULE (BASED ON 3% VOLT DROP (FOR CALC. ONLY))

LENGTH	LOAD	FEEDER	CONDUCTOR	MIN. ALLOWED
0'-306'	72.2	1/2" C, 3# 7/0	1# 3 GND	
0'-286'	72.2	1/2" C, 3# 7/0	1# 3 GND	
0'-487'	72.2	1/2" C, 3# 7/0	1# 4 GND	

BUILDING TYPE "65" LOAD CALCULATION
6444 SQUARE FEET

APPL. LOAD #	GENERAL LIGHTING LOAD	FIXED APPLIANCE LOAD	OTHER LOAD	BUILDING TOTAL LOAD
007	19.3 KW	13.2 KW @ 75%	14.0 KW	52.3 KW

BUILDING TYPE "65" LOAD CALCULATION
10740 SQUARE FEET

APPL. LOAD #	GENERAL LIGHTING LOAD	FIXED APPLIANCE LOAD	OTHER LOAD	BUILDING TOTAL LOAD
007	32.2 KW	22.0 KW @ 75%	20.0 KW	77.5 KW

BUILDING TYPE "64" LOAD CALCULATION
8592 SQUARE FEET

APPL. LOAD #	GENERAL LIGHTING LOAD	FIXED APPLIANCE LOAD	OTHER LOAD	BUILDING TOTAL LOAD
007	12.0 KW	17.6 KW @ 75%	17.0 KW	67.4 KW

BUILDING TYPE "65" LOAD CALCULATION
12888 SQUARE FEET

APPL. LOAD #	GENERAL LIGHTING LOAD	FIXED APPLIANCE LOAD	OTHER LOAD	BUILDING TOTAL LOAD
007	38.6 KW	26.4 KW @ 75%	21.0 KW	86.7 KW

no. date by
revision

BI
Group
Architects and Planners L. Paul Zajfen
2865 E. Coast Highway
Suite 303
Corona Del Mar, Ca.
92625
(714)935-2300

CONSULTANTS
CONSULTING ELECTRICAL ENGINEERS
RWR
ASSOCIATES
290 ARWAY AVENUE, SUITE 200 • COSTA MESA, CA 92626
PH: 714-440-1015

project title
UCSB

As BUILT
WALTON ELECTRIC CORP.
P.O. Box 1856
881 N. Vermont
Oxnard, CA 91320

sheet title
**SINGLE LINE
DIAGRAM DETAILS
& SPECIFICATIONS**

scale	date
AS SHOWN	

drawn	checked
J. P. BERRY	

project no.	sheet no.
	E-8

This drawing as an instrument of service is the property of the architect and may not be reproduced without their permission and unless the reproduction carries their name. All designs and other information shown on this drawing are for use on the specified project only and shall not be used otherwise without written permission of the architect.

When dimensions shall have precedence over scaled dimensions. Contractors shall verify and be responsible for all dimensions and conditions on the job and the architect shall be informed of any variations from the dimensions and conditions shown on the drawing. Shop drawings shall be submitted to the architect for approval before proceeding with fabrication.