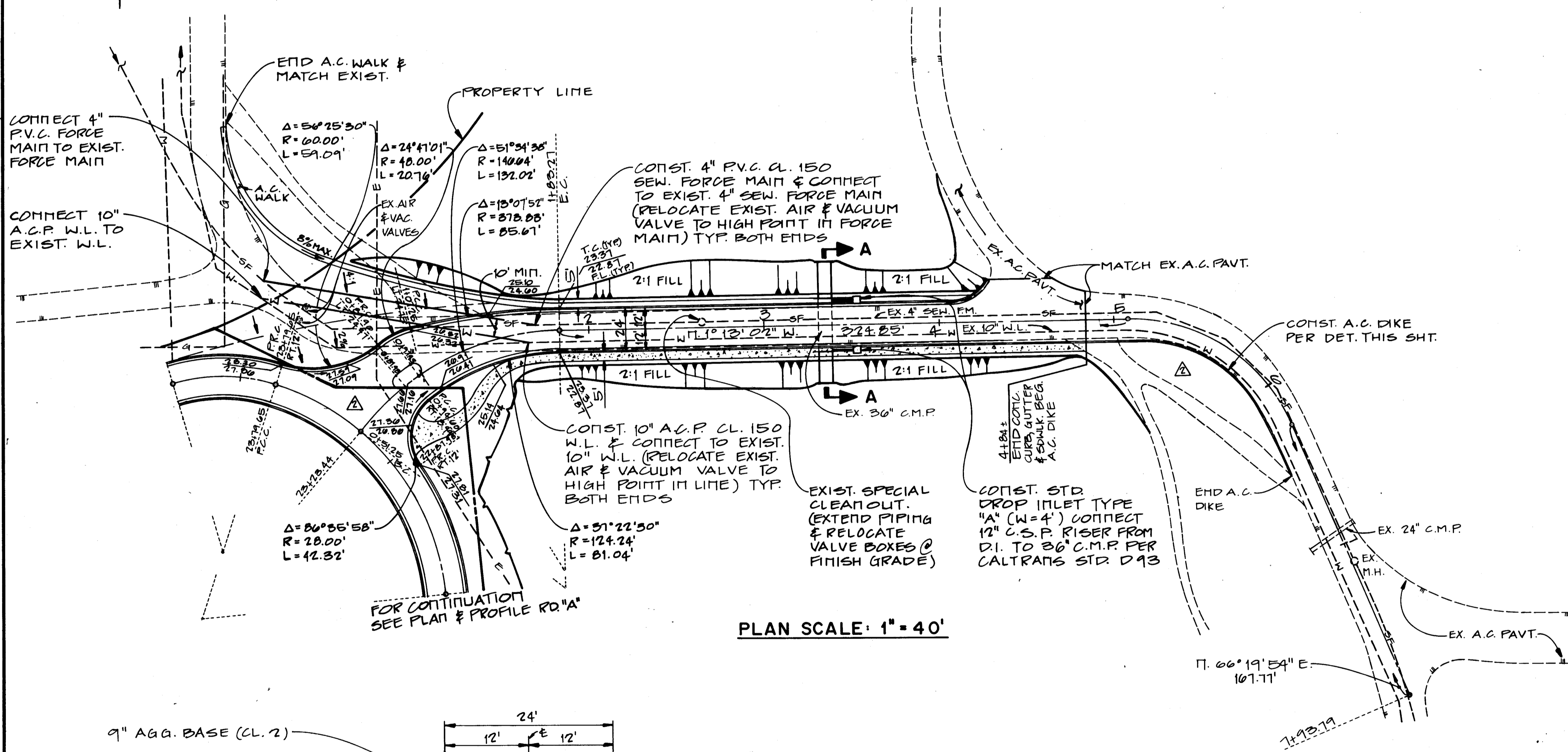
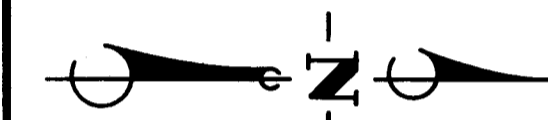
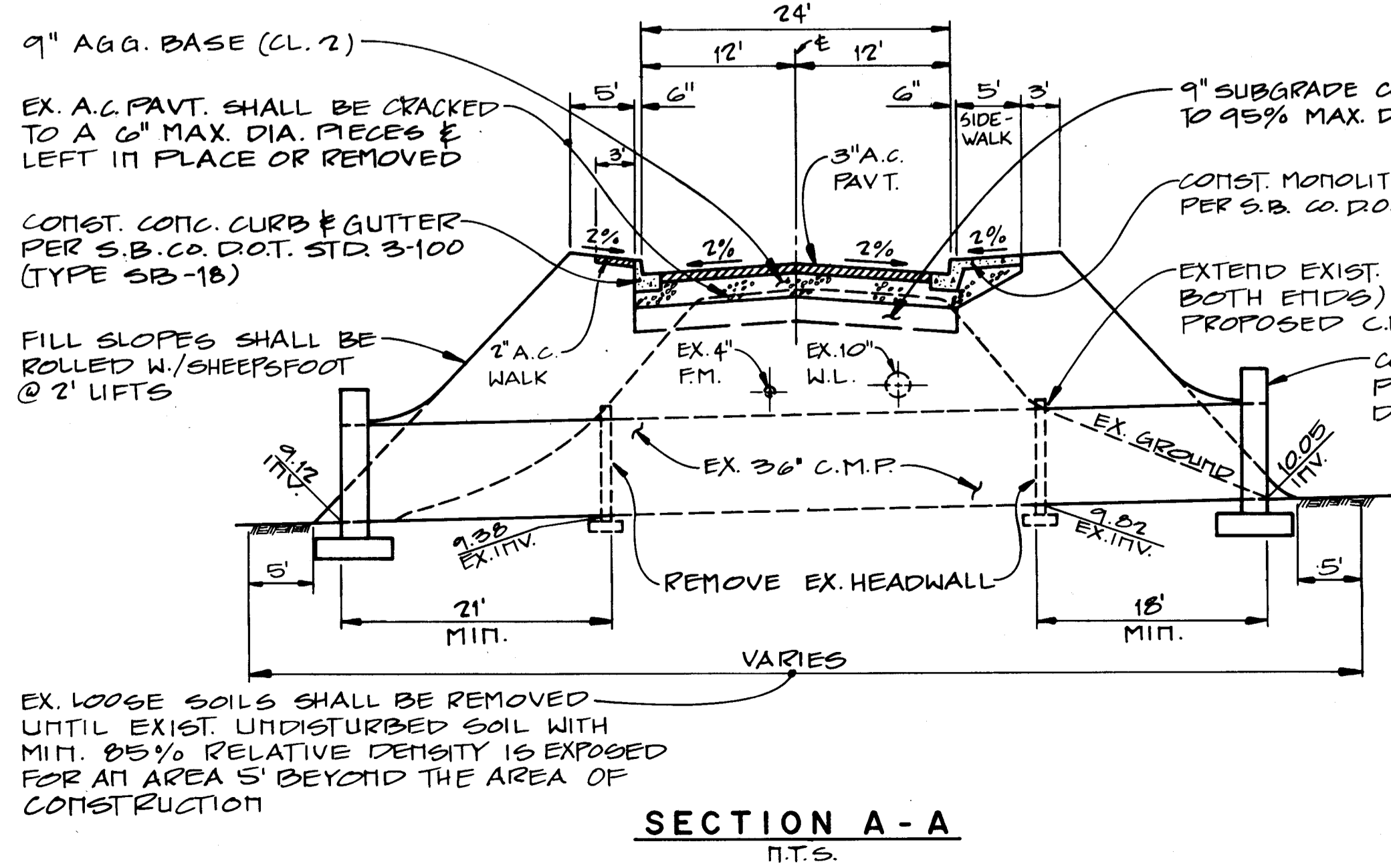


PROFILE OF ENTRY ROAD
SCALE: HORIZ. 1" = 40'
VERT. 1" = 4'

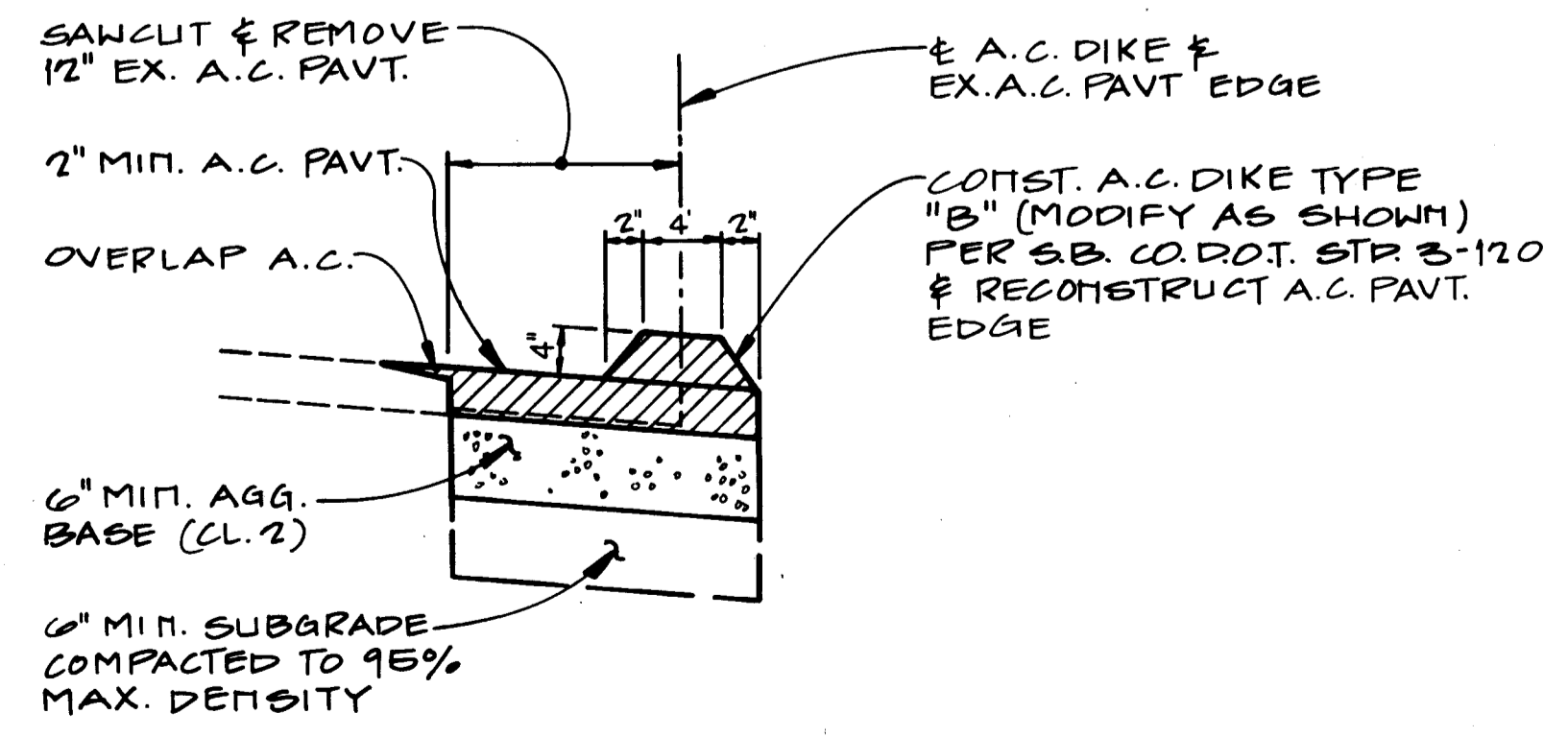


PLAN SCALE: 1" = 40'



SECTION A-A
N.T.S.

- NOTE:**
- UTILITY SERVICE TO DEVEREUX SCHOOL INCLUDING WATER, SEWER, GAS, ELECTRICAL & TELEPHONE SHALL NOT BE INTERRUPTED.
 - WATER LINE RELOCATION SHALL BE CONSTRUCTED IN ACCORDANCE WITH THE REQUIREMENTS OF THE GOLETA COUNTY WATER DISTRICT STANDARD SPECIFICATIONS.
 - SEWER FORCE MAIN RELOCATION SHALL BE CONSTRUCTED IN ACCORDANCE WITH THE REQUIREMENTS OF THE ISLA VISTA SANITARY DISTRICT STANDARD SPECIFICATIONS.



DETAIL - A.C. DIKE
N.T.S.

RECEIVED
NO EXCEPTIONS TAKEN
REJECTED - RESUBMIT
BY: [Signature] DATE: 9-12-85

no.	date	by	revision
1	1-10-85	D&L	REV. ENTRY RD INTERSECTION W/ RD 'A' AT EX. RD
2	6-21-85	D&L	REVISED NOTES & SPOT ELEVATIONS

BI
Group
Architects and Planners
L. Paul Zajfen
359 San Miguel Drive
Suite 200
Newport Beach, California
92660
(714) 644-4081

Penfield & Smith
ENGINEERS INC.
111 EAST VICTORIA STREET
POST OFFICE BOX 98 • SANTA BARBARA, CA 93102
TEL. 805-963-9532
DATE: 4-24-85
R.C.E. 27,112

project title: [Blank]
Edn. [Blank] rmm
SEP 11 1985
RECEIVED
U.C.S.B.

PROJ. NO. 986320
sheet title

PLAN & PROFILE ENTRY ROAD

scale	date
1:40	
drawn	checked
C.E.P.	
project no.	sheet no.

This drawing, as an instrument of service, is the property of the architect and may not be reproduced without their permission and unless the reproduction carries their name. All designs and other information shown on this drawing are for use on the specified project only and shall not be used otherwise without written permission of the architect.
Written dimensions shall have precedence over scaled dimensions. Contractors shall verify and be responsible for all dimensions and conditions on the job and the architect shall be informed of any variations from the dimensions and conditions shown on the drawing. Shop drawings shall be submitted to the architect for approval before proceeding with fabrication.