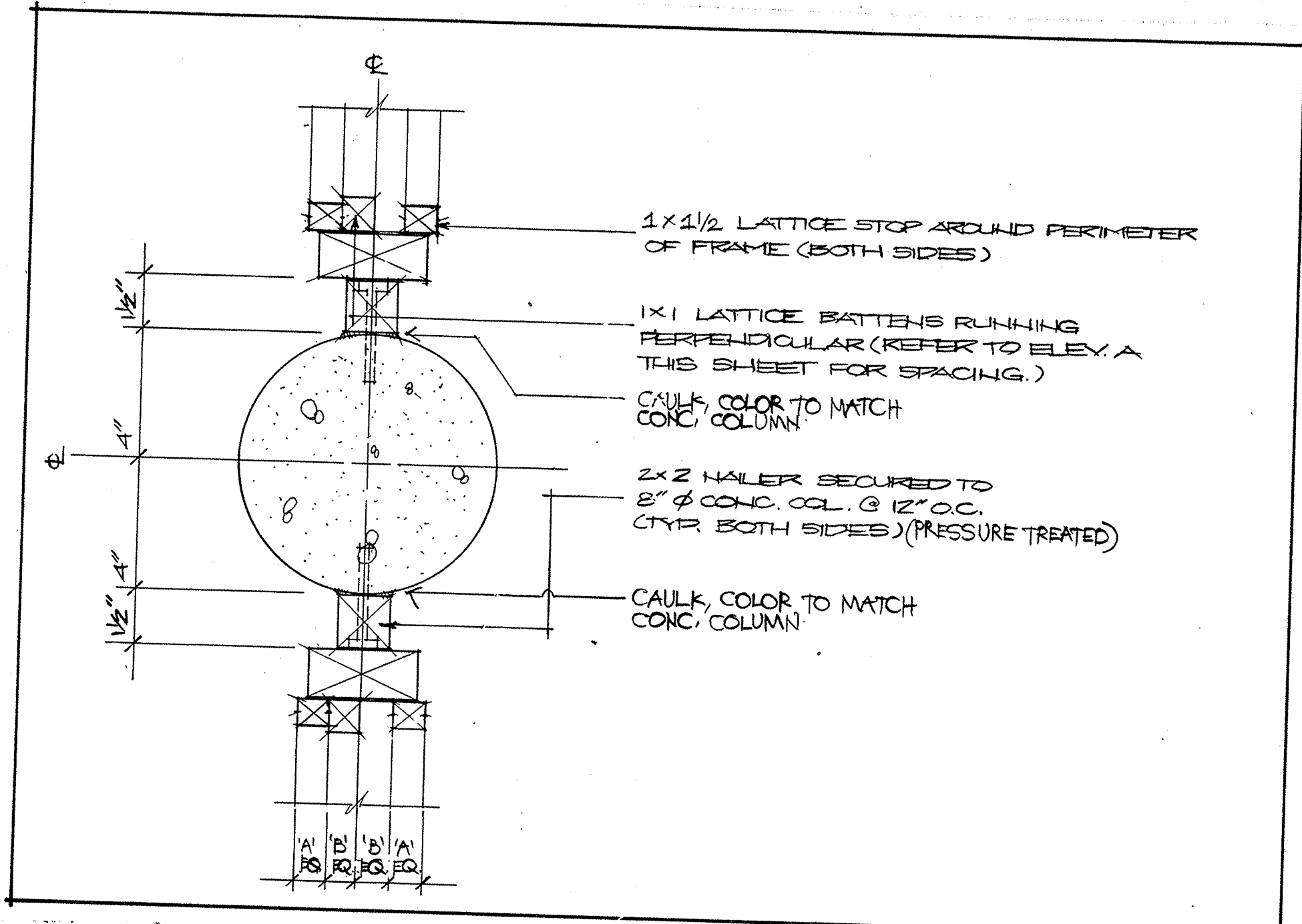
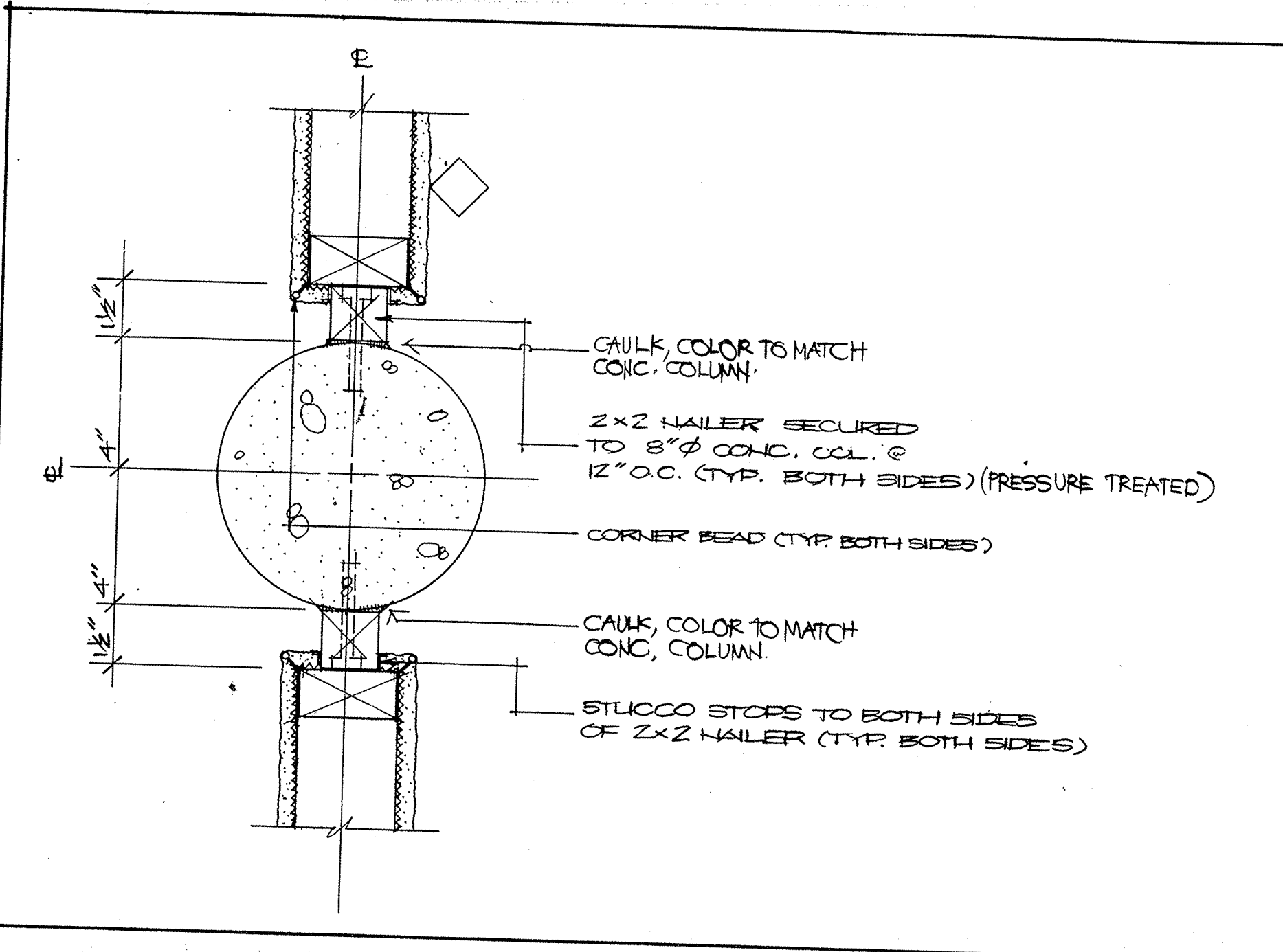


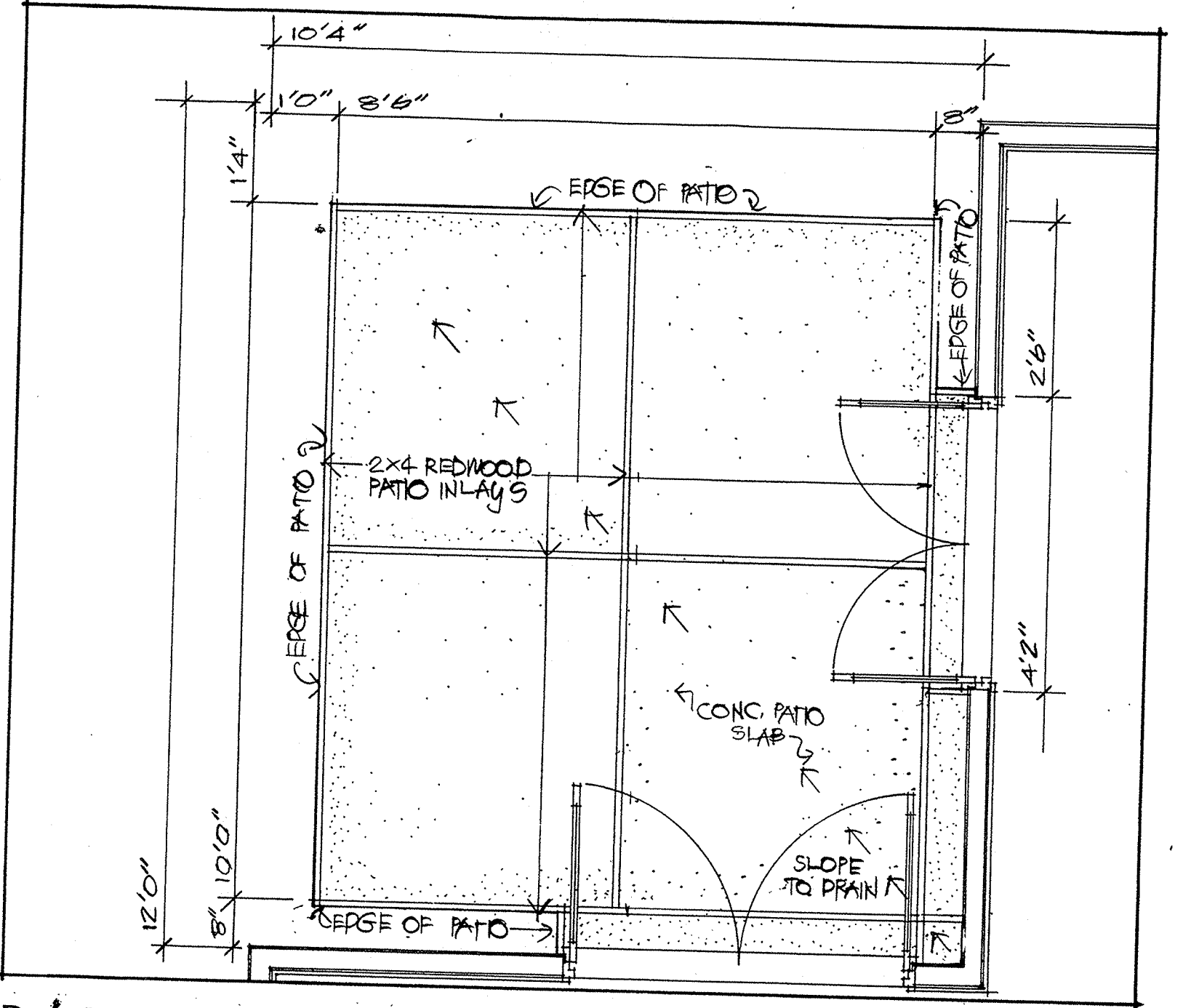
SECTION 1/2"=10"



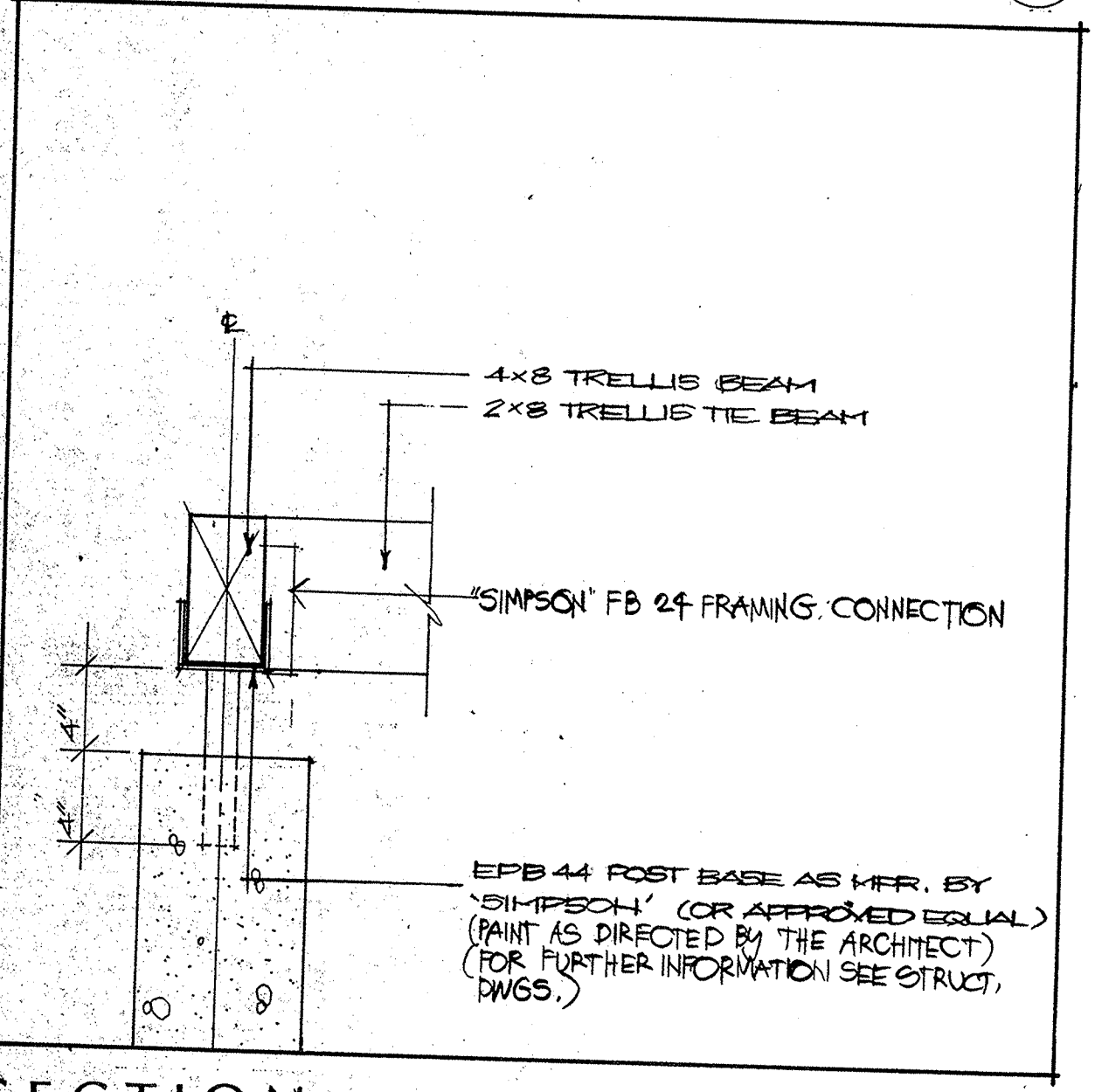
PLAN DETAIL 3"=10"



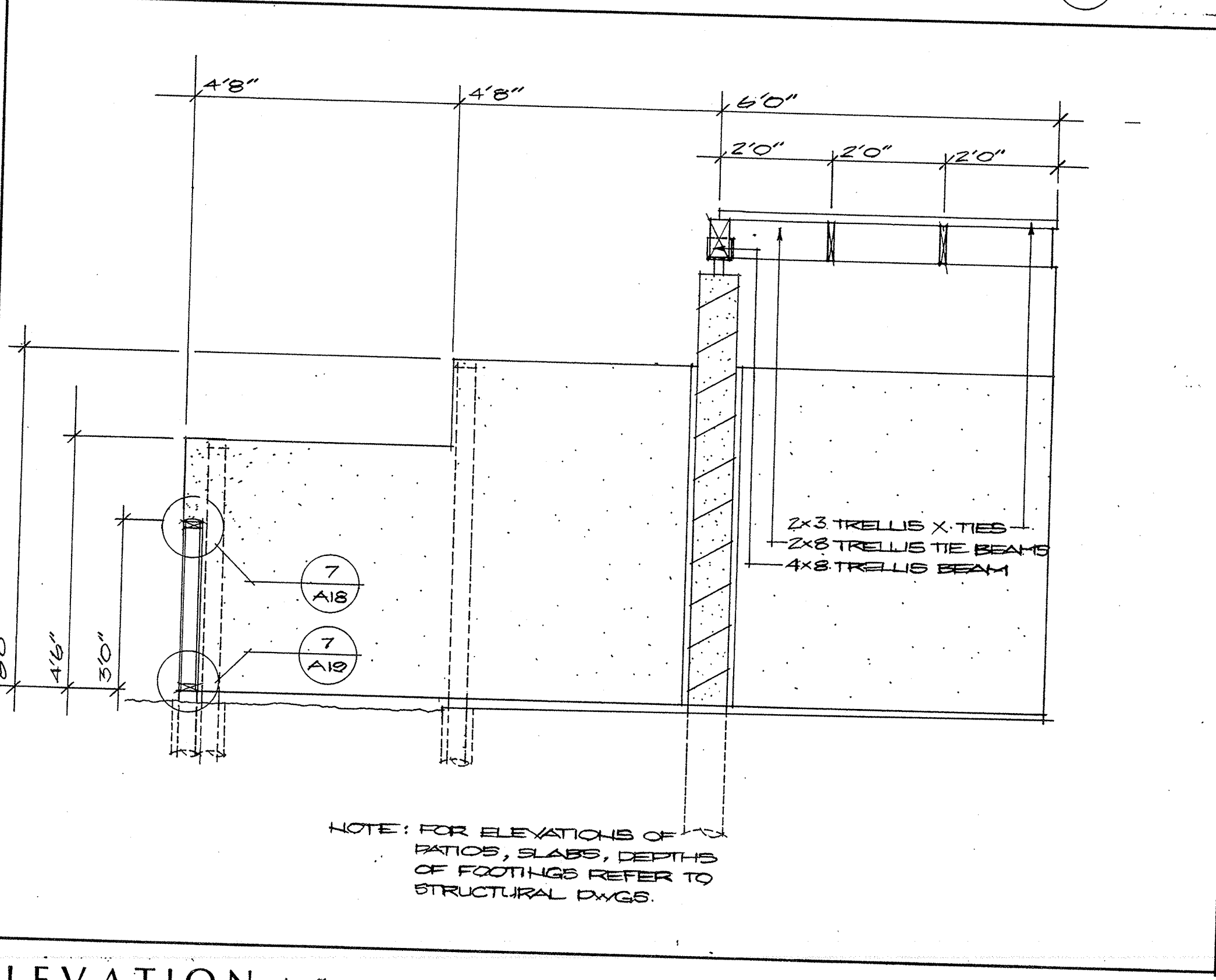
PLAN DETAIL 3"=10"



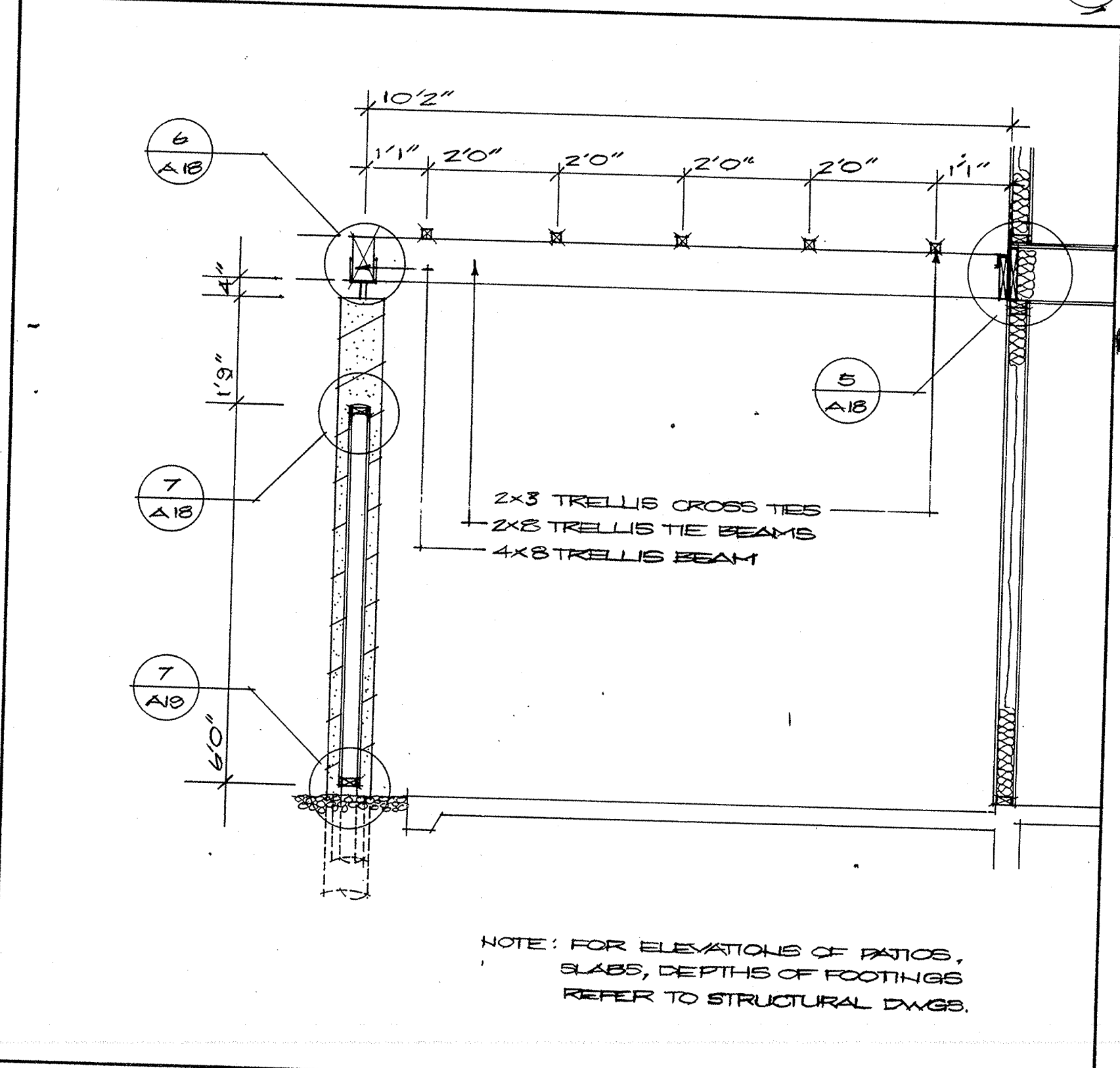
PATIO PLAN 1/2"=10"



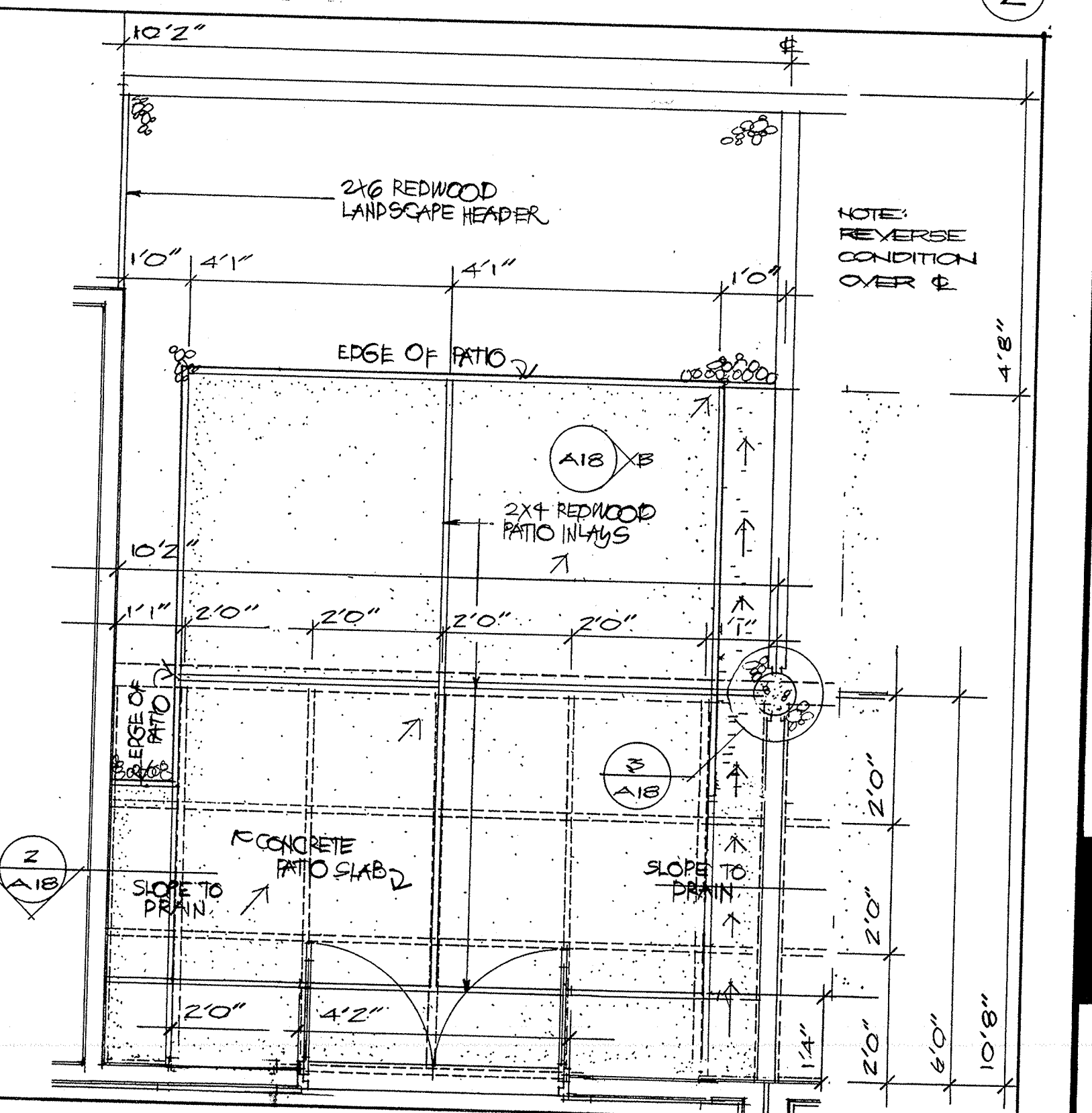
SECTION 1/2"=10"



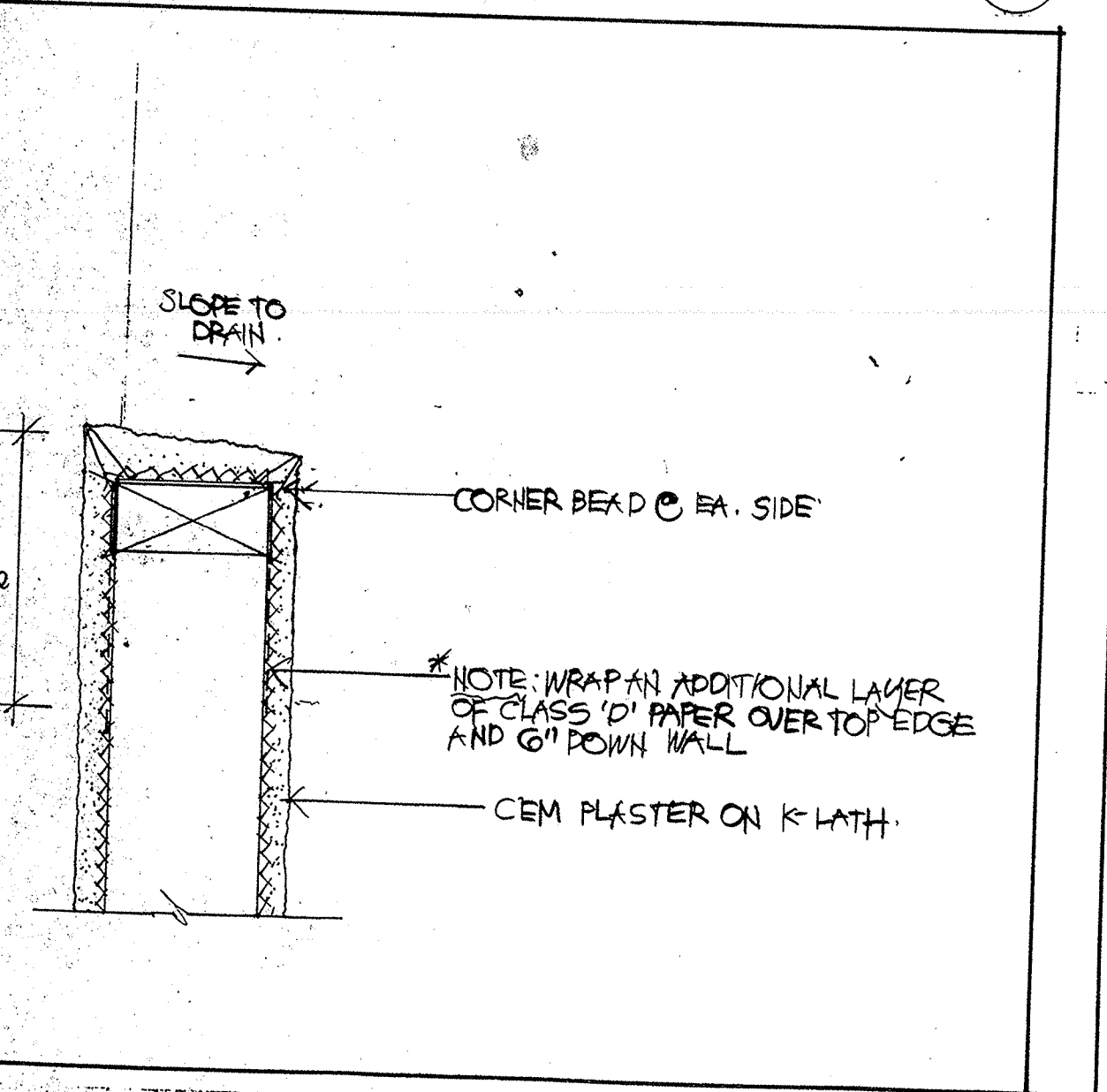
ELEVATION 1/2"=10"



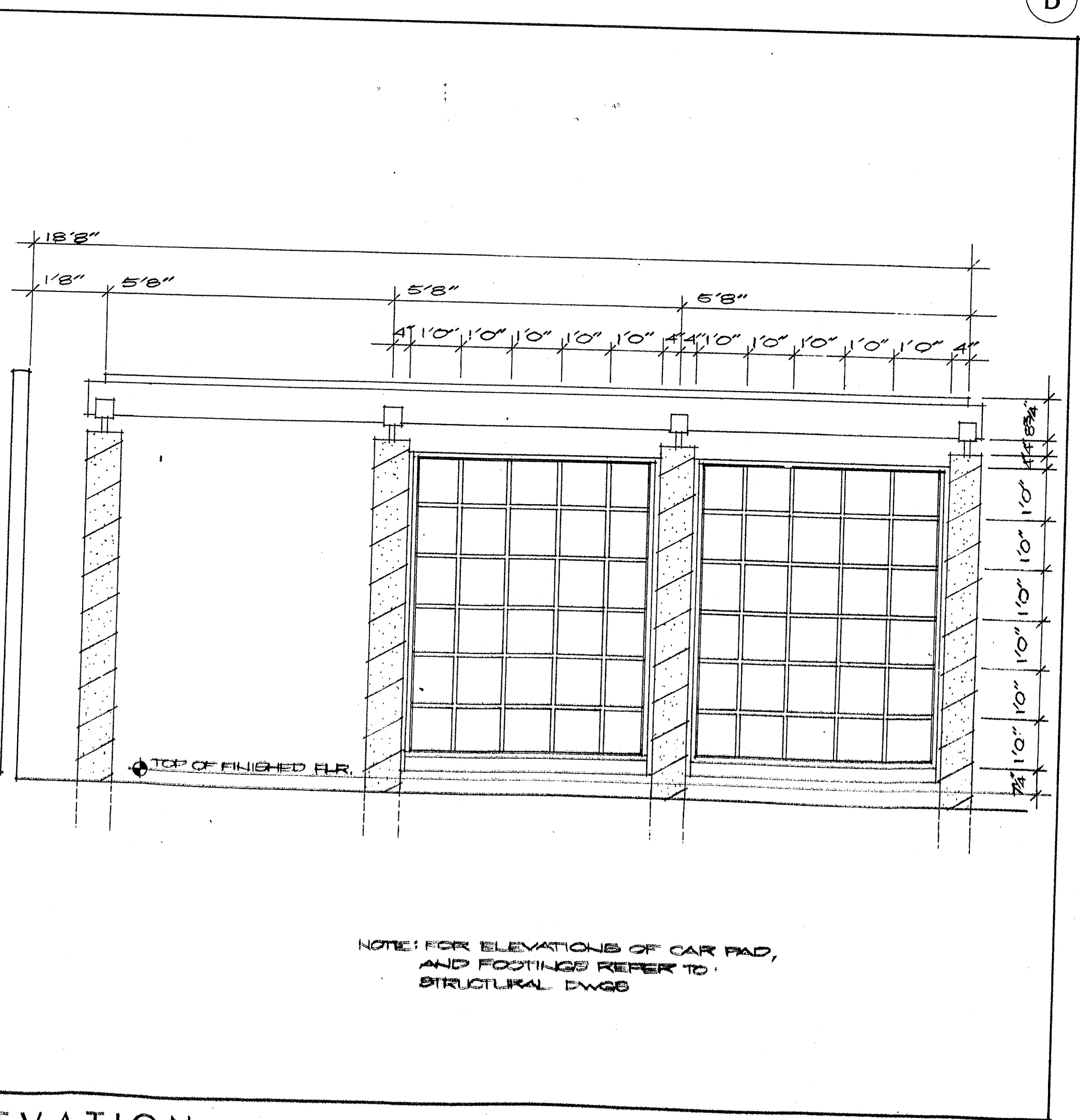
SECTION 1/2"=10"



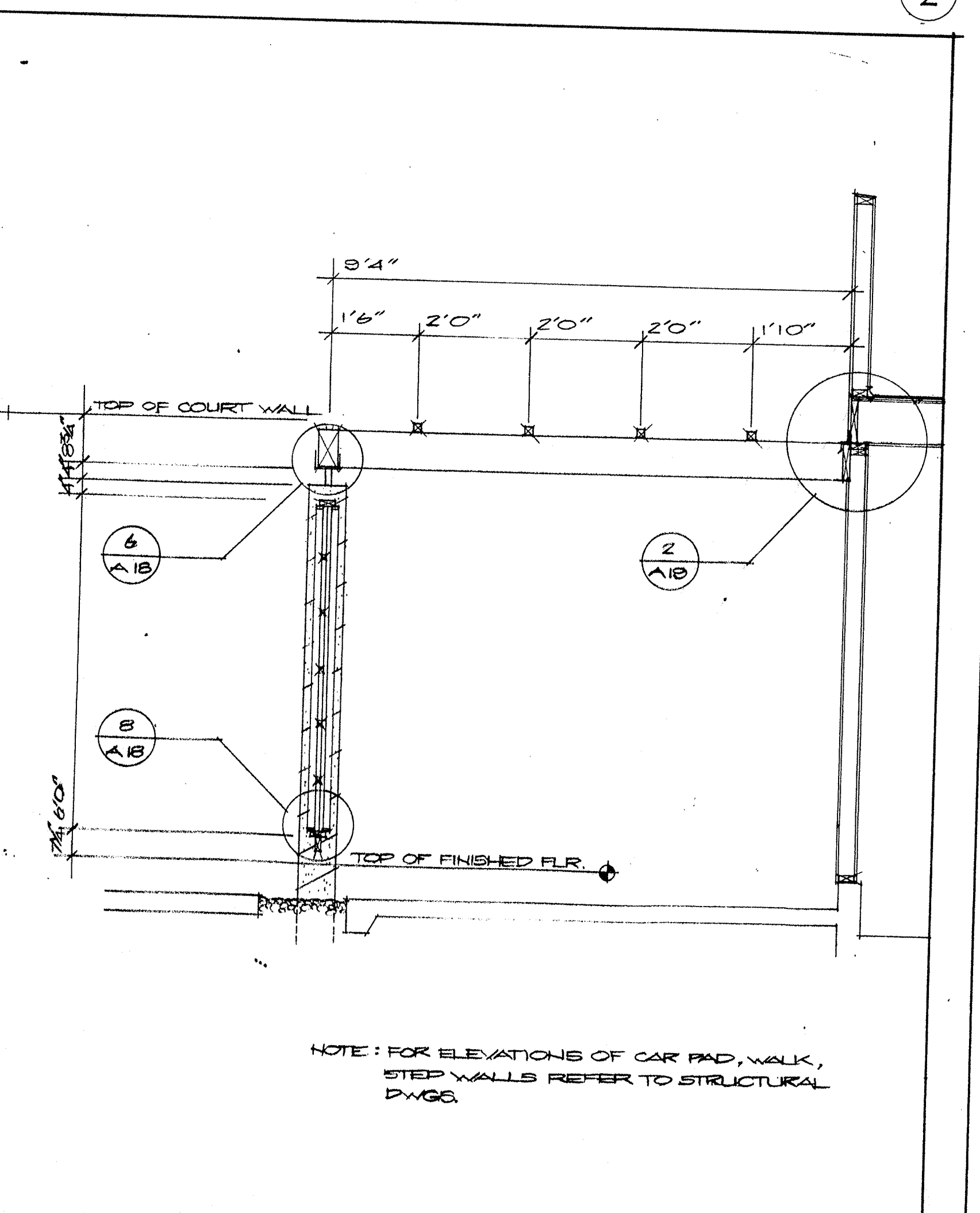
PATIO PLAN 1/2"=10"



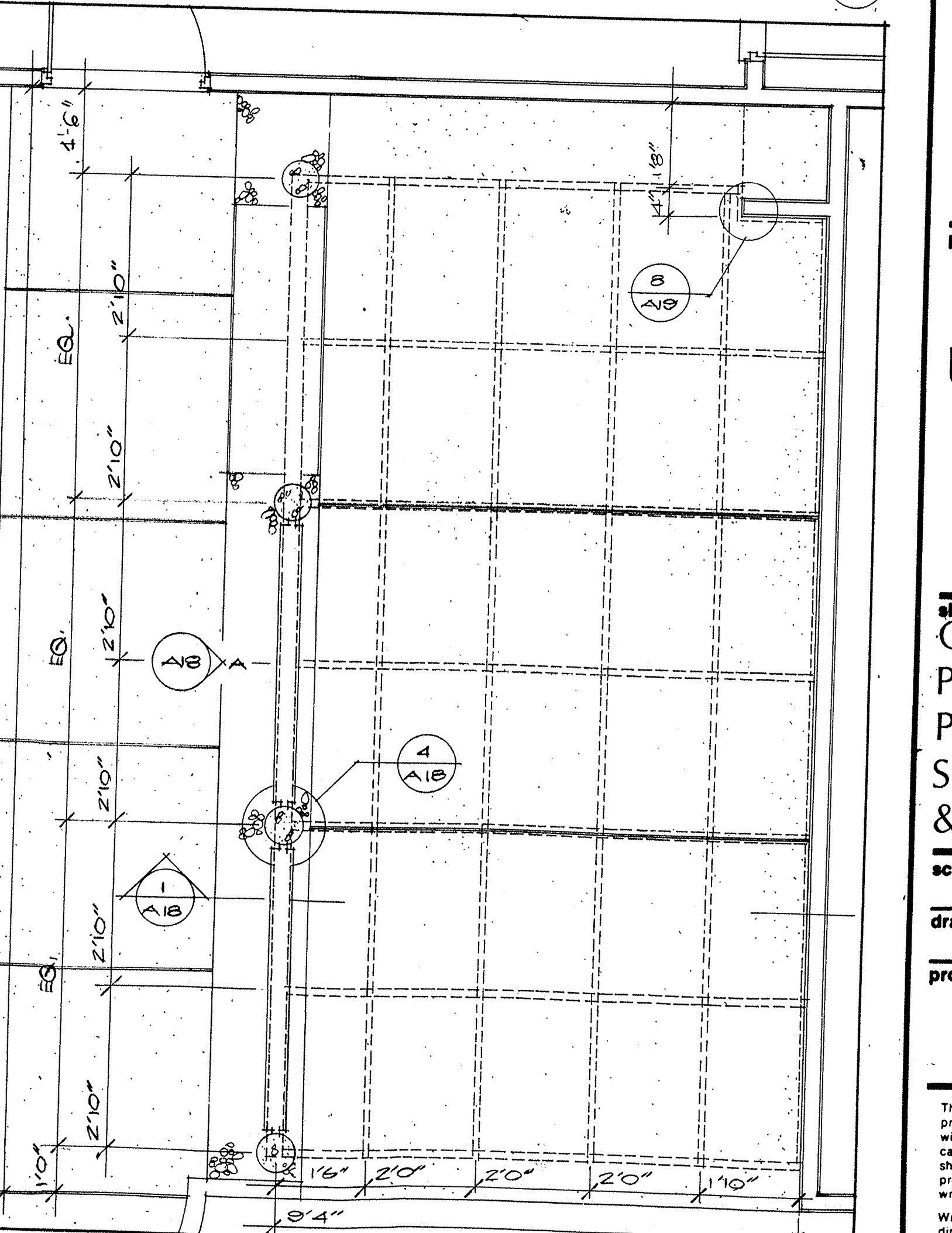
SECTION 1/2"=10"



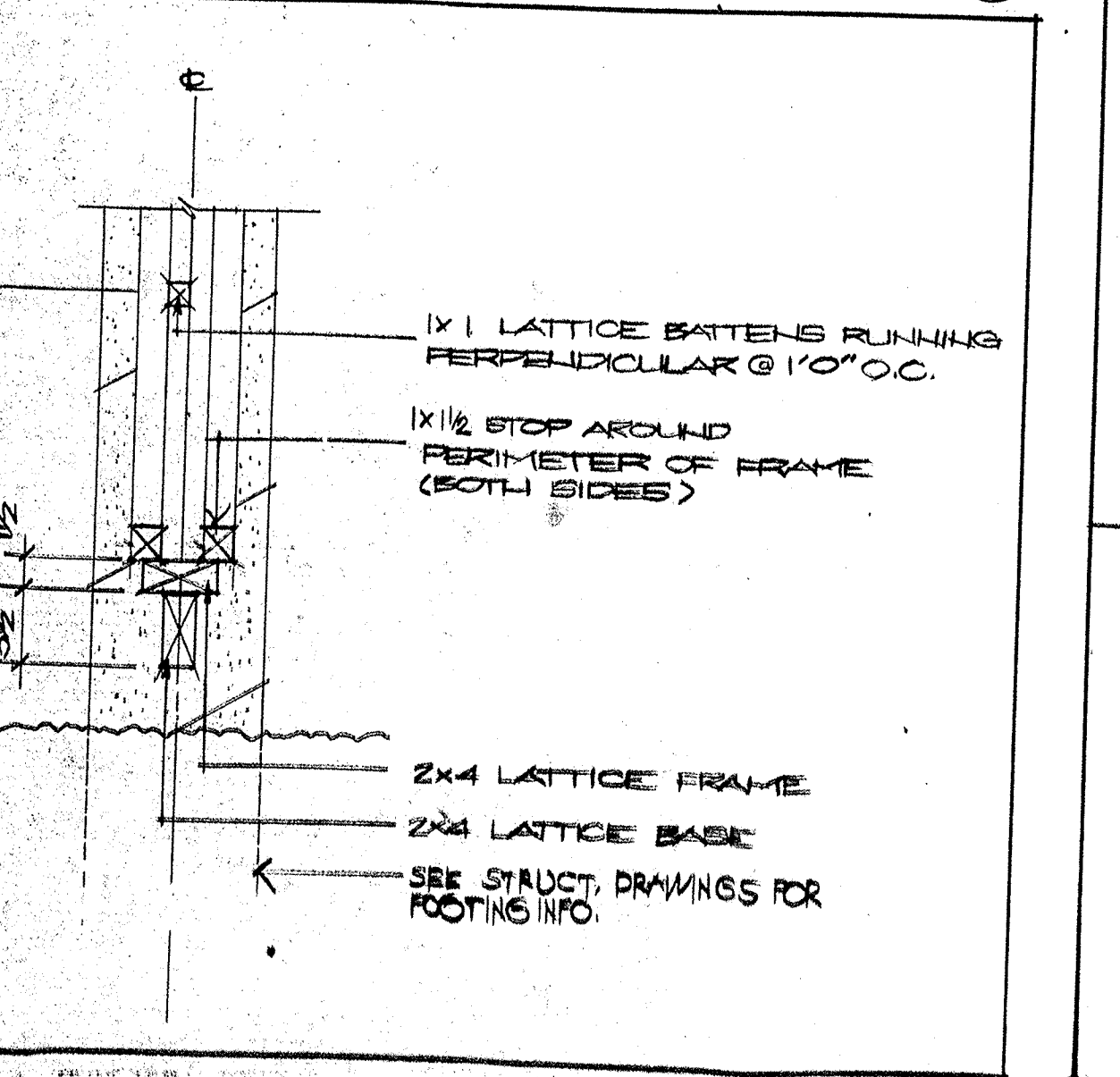
ELEVATION 1/2"=10"



SECTION 3"=10"



CARPORT PLAN 1/2"=10"



SECTION 1/2"=10"

ELEVATION 1/2"=10"

SECTION 3"=10"

CARPORT PLAN 1/2"=10"

no.	date	by
revision		
Architects and Planners		
L. Paul Zajfen		
2885 E. Coast Highway Suite 303 Coronado Mar, California 92623 (714) 675-2390		
consultants		

project title
U.C.S.B.

sheet title	
CARPOR / PATIO PLANS SECTIONS & DETAILS	
scale	date
AS NOTED	4/20/85
drawn	checked
FLS.	
project no.	sheet no.
106	A18

This drawing, as an instrument of service, is the property of the architect and may not be reproduced without their permission and unless the reproduction carries their name. All designs and other information shown on this drawing are for use on the specified project only and shall not be used otherwise without written permission of the architect.

Written dimensions shall have precedence over scaled dimensions. Contractors shall verify and be responsible for all dimensions and conditions on the job, and the architect shall be informed of any variations from the dimensions and conditions shown on the drawing. Shop drawings shall be submitted to the architect for approval before proceeding with fabrication.