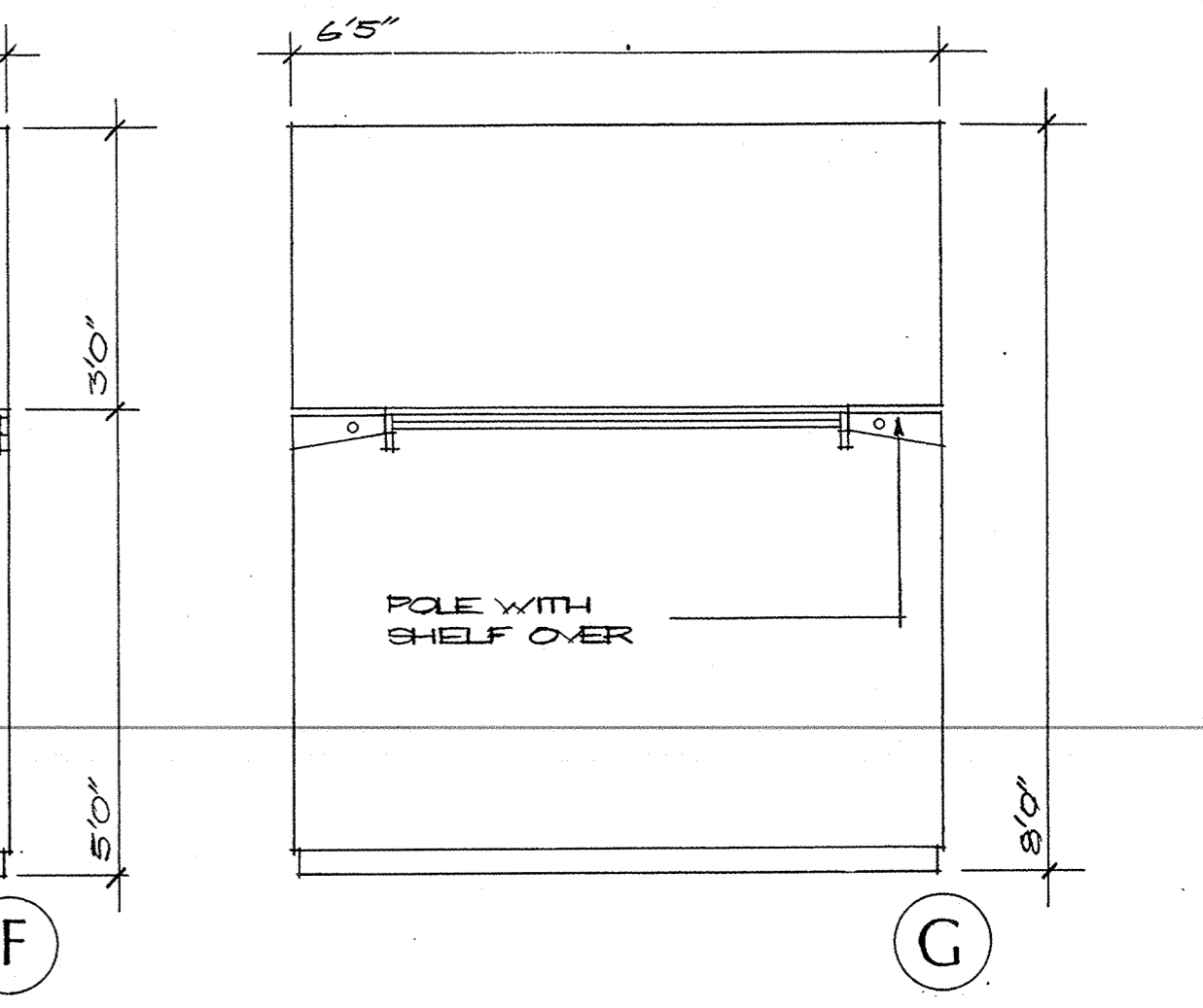
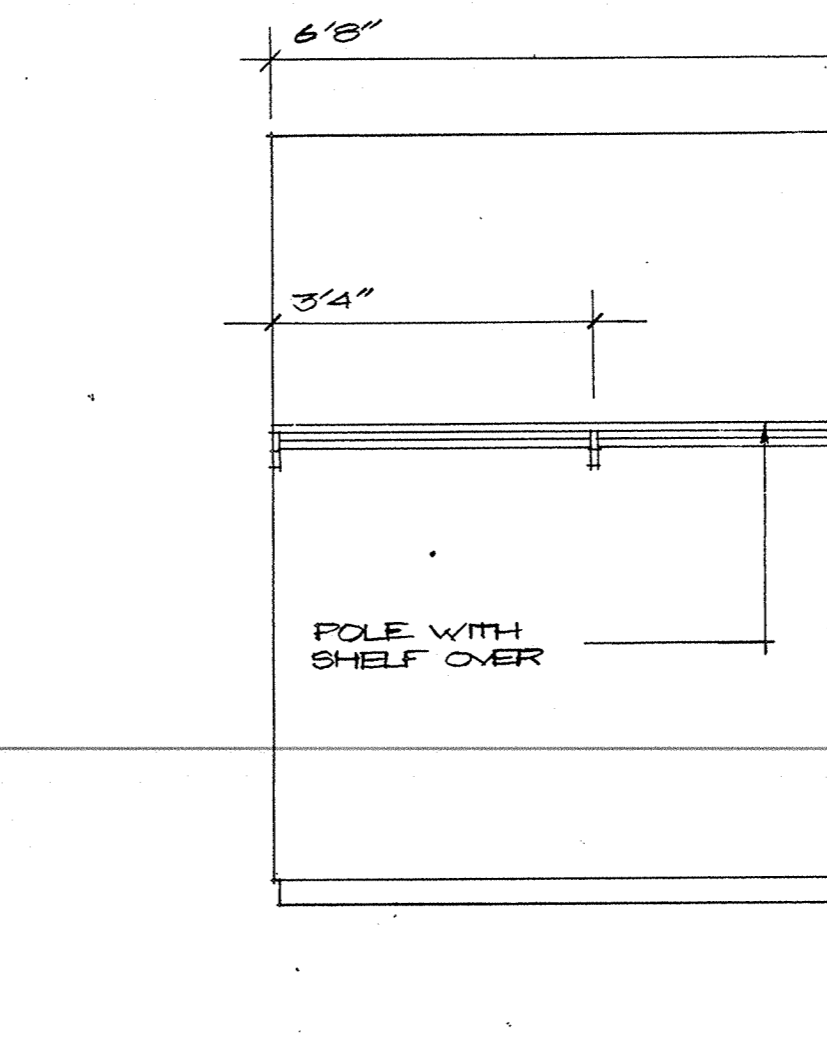
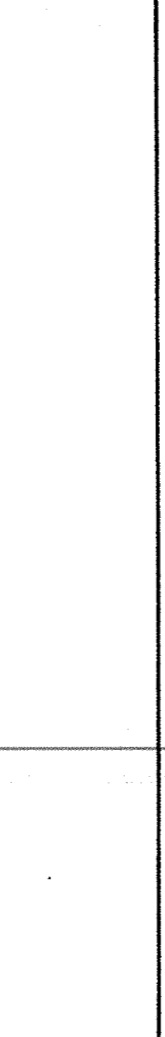
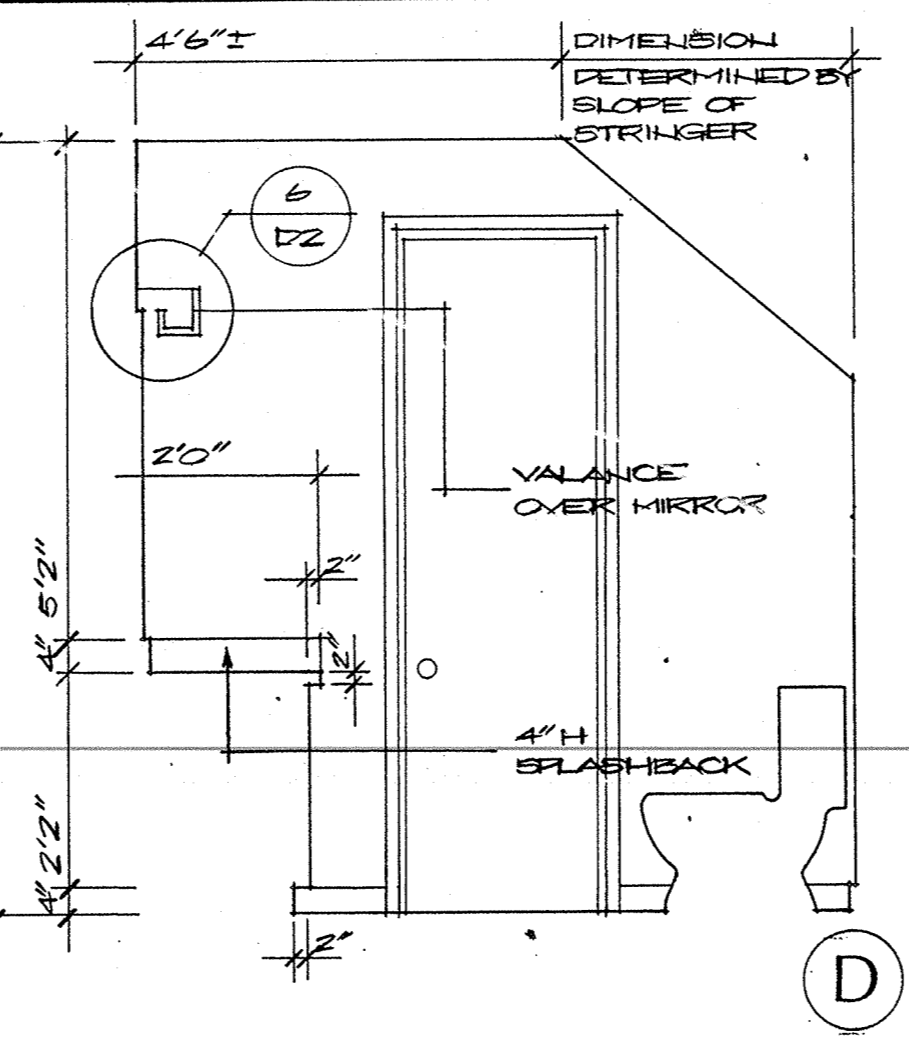
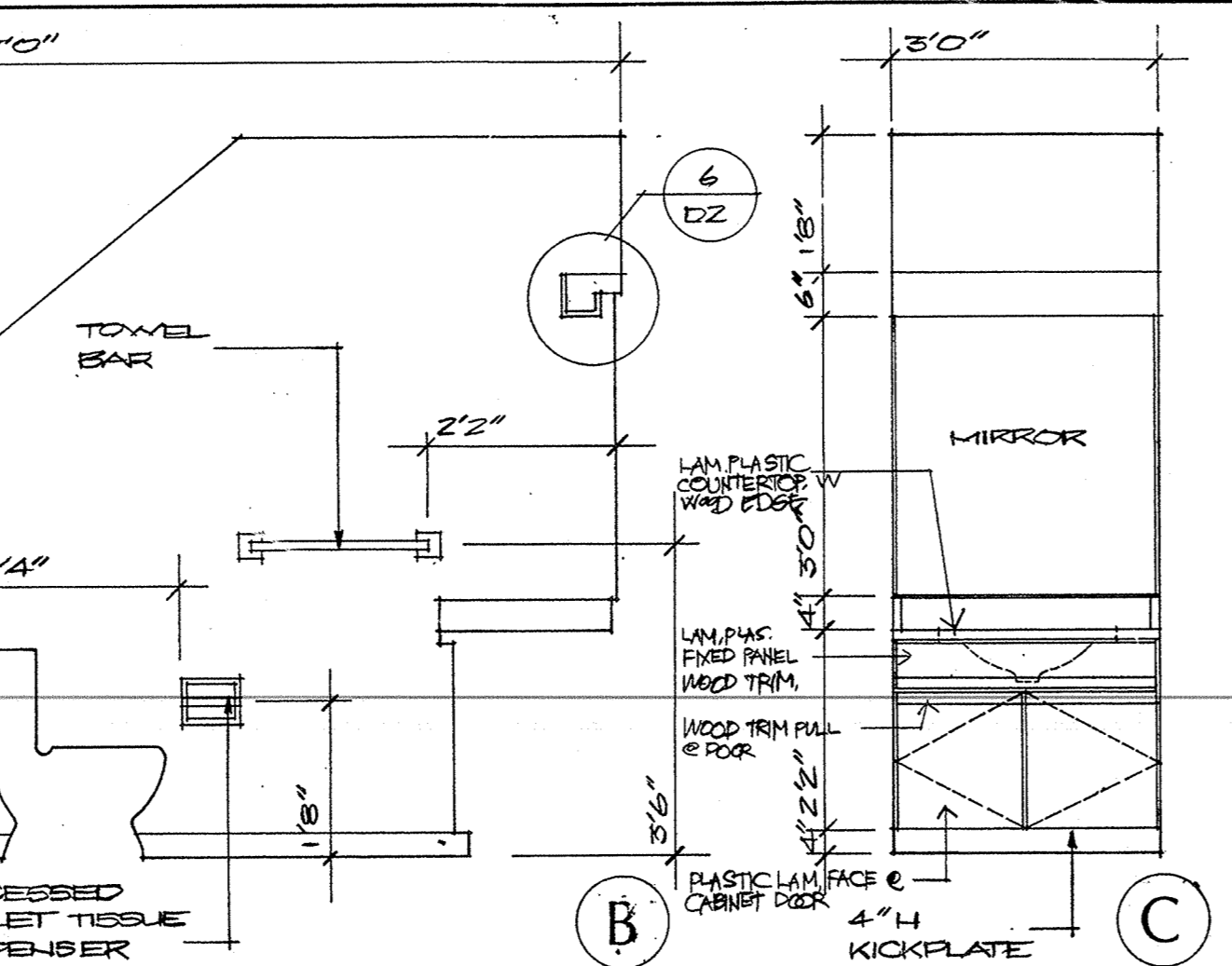
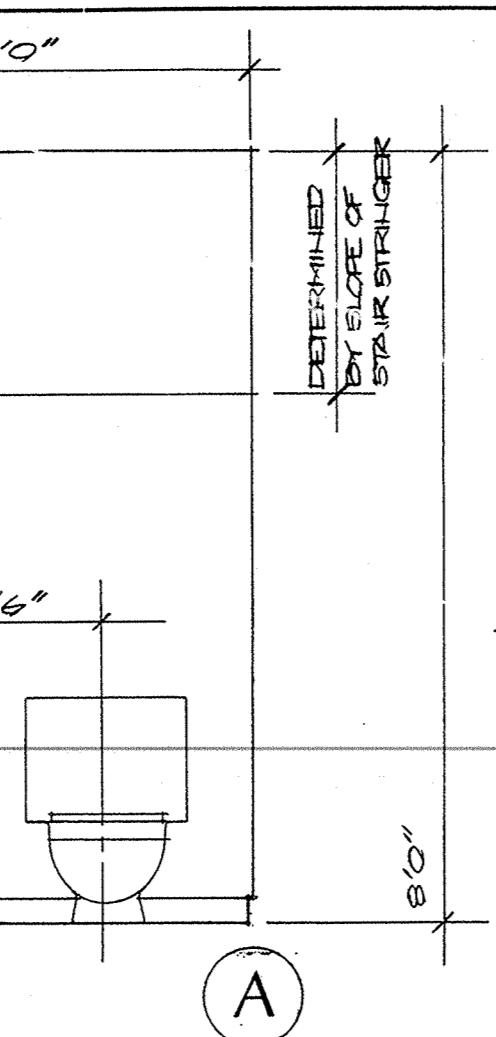
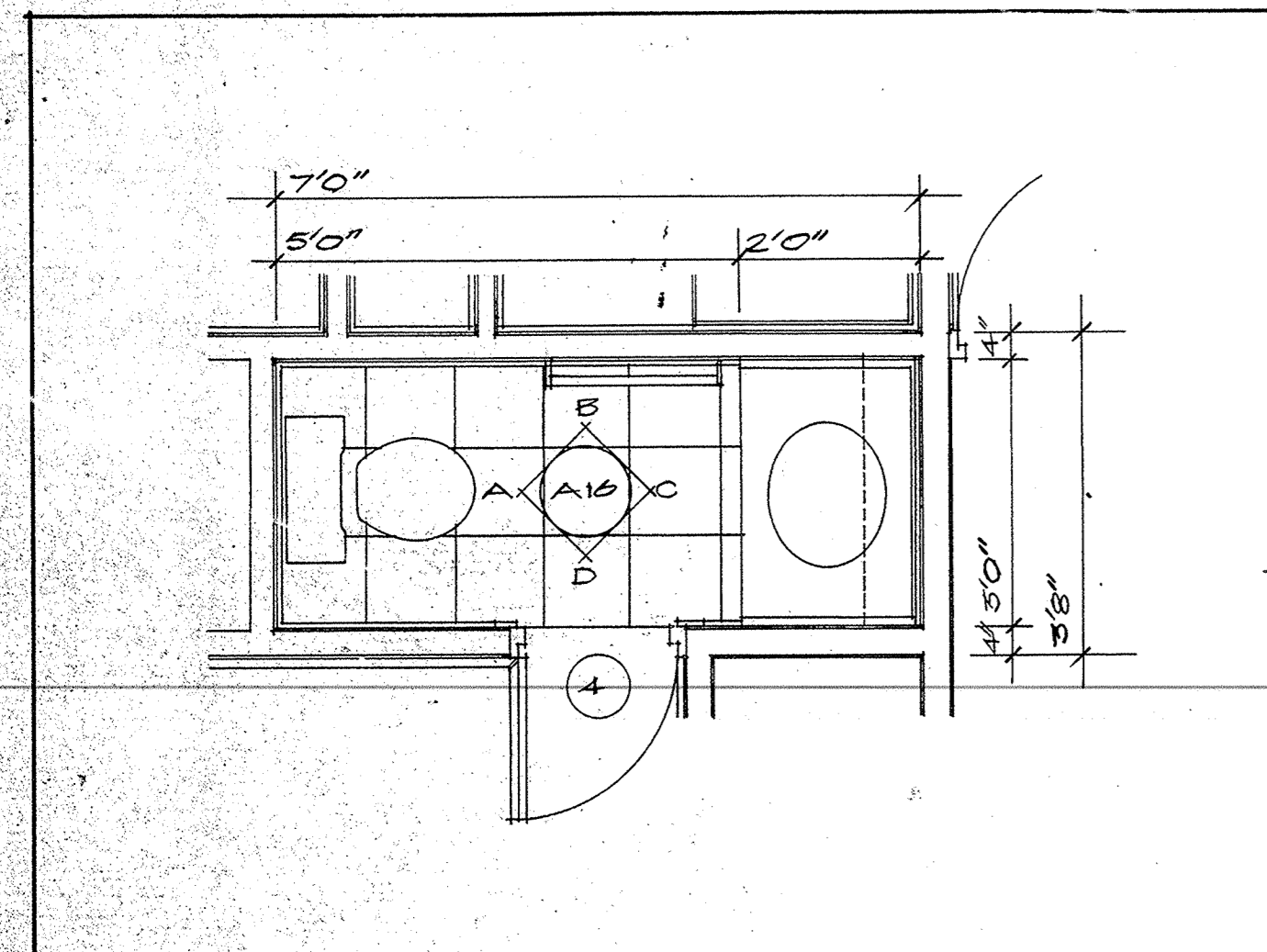
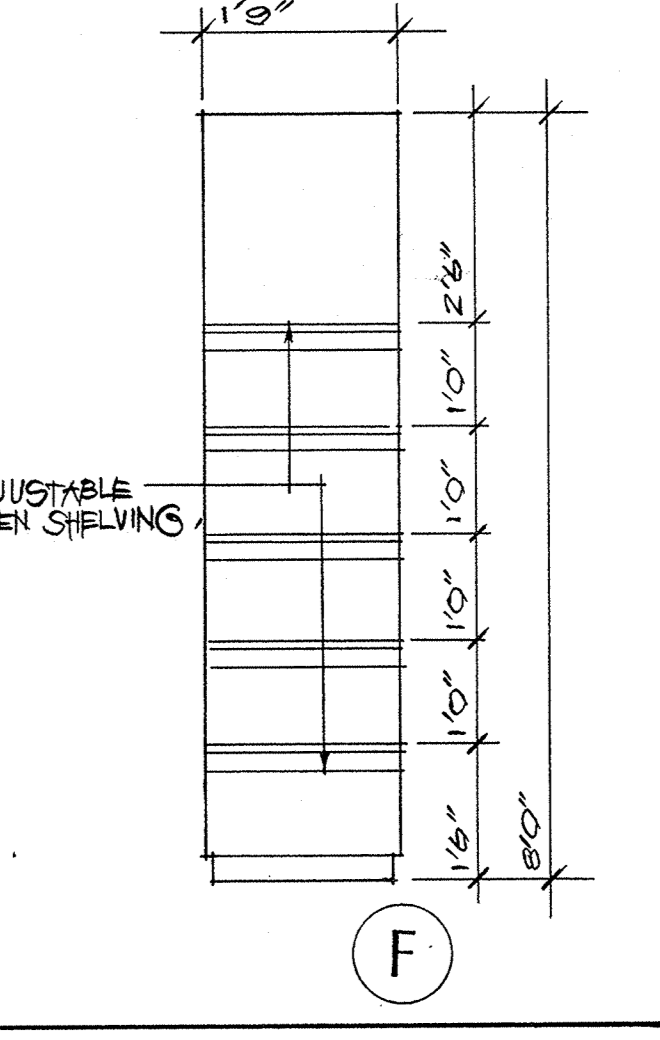
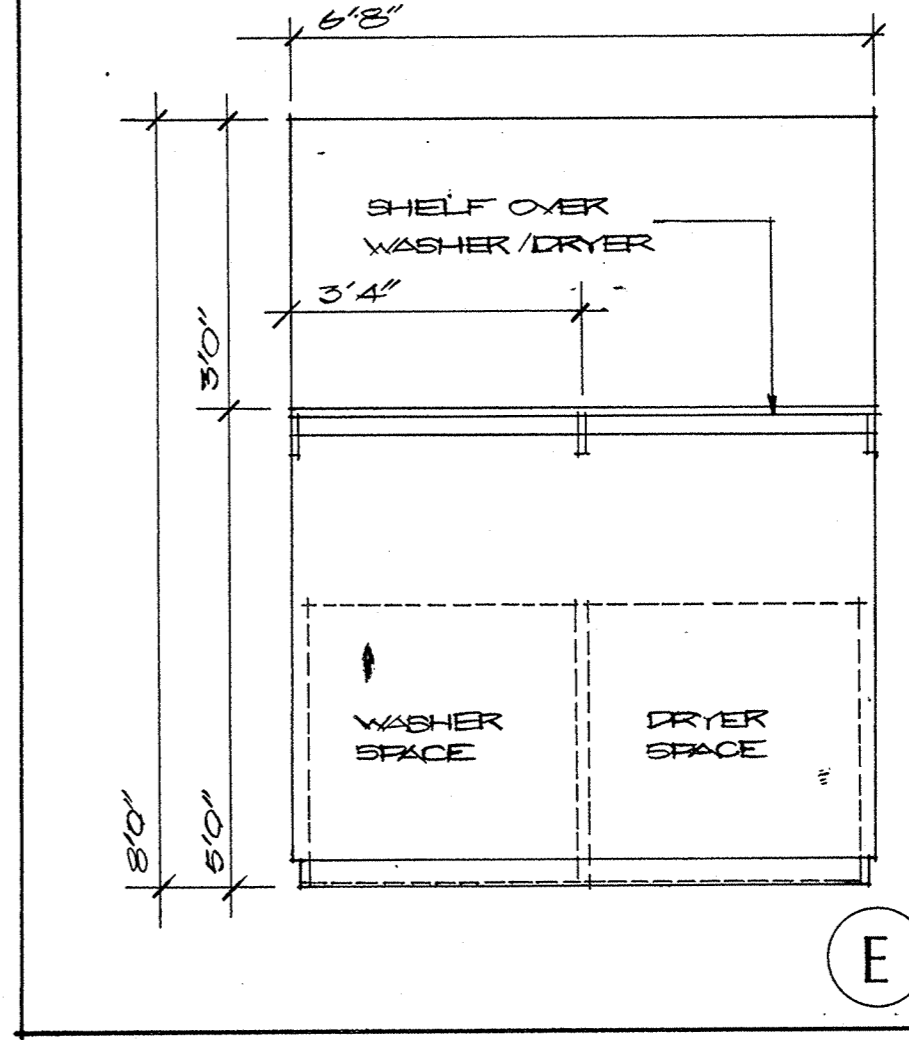
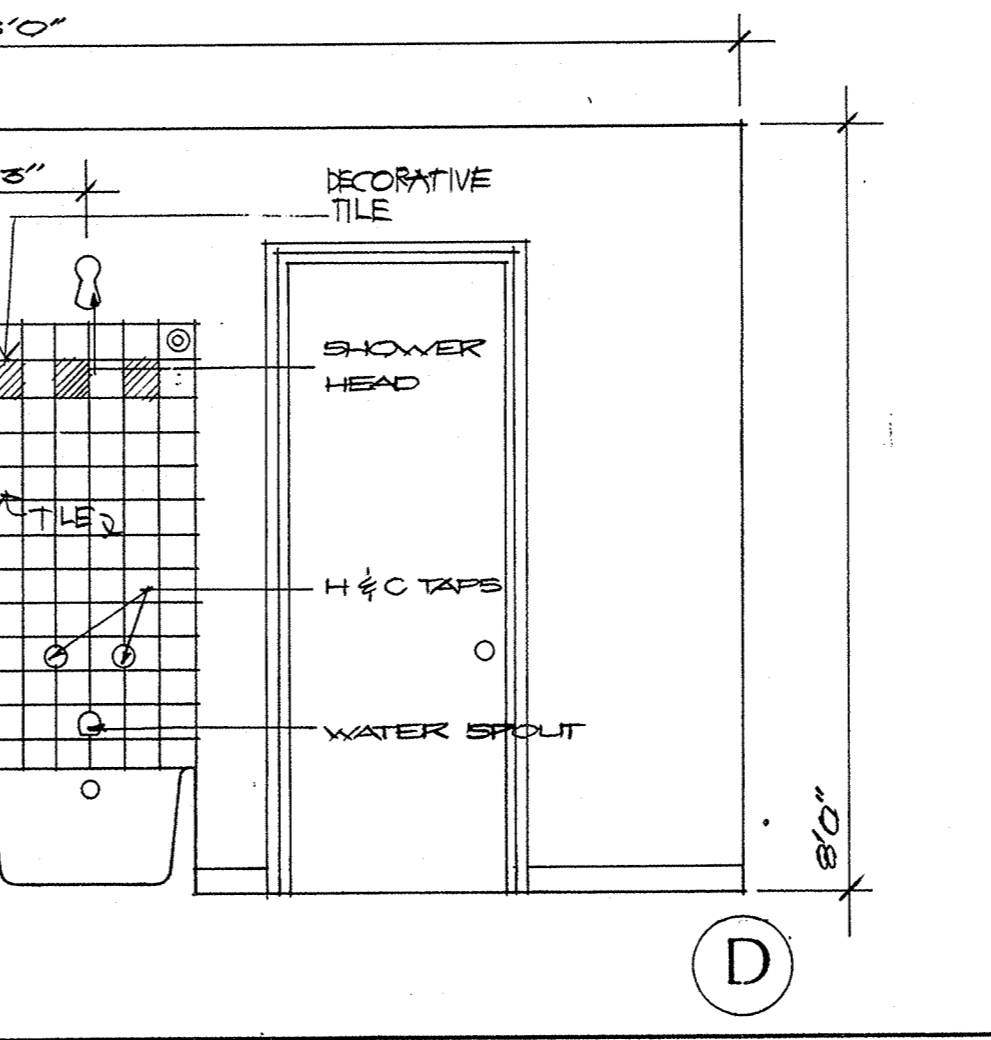
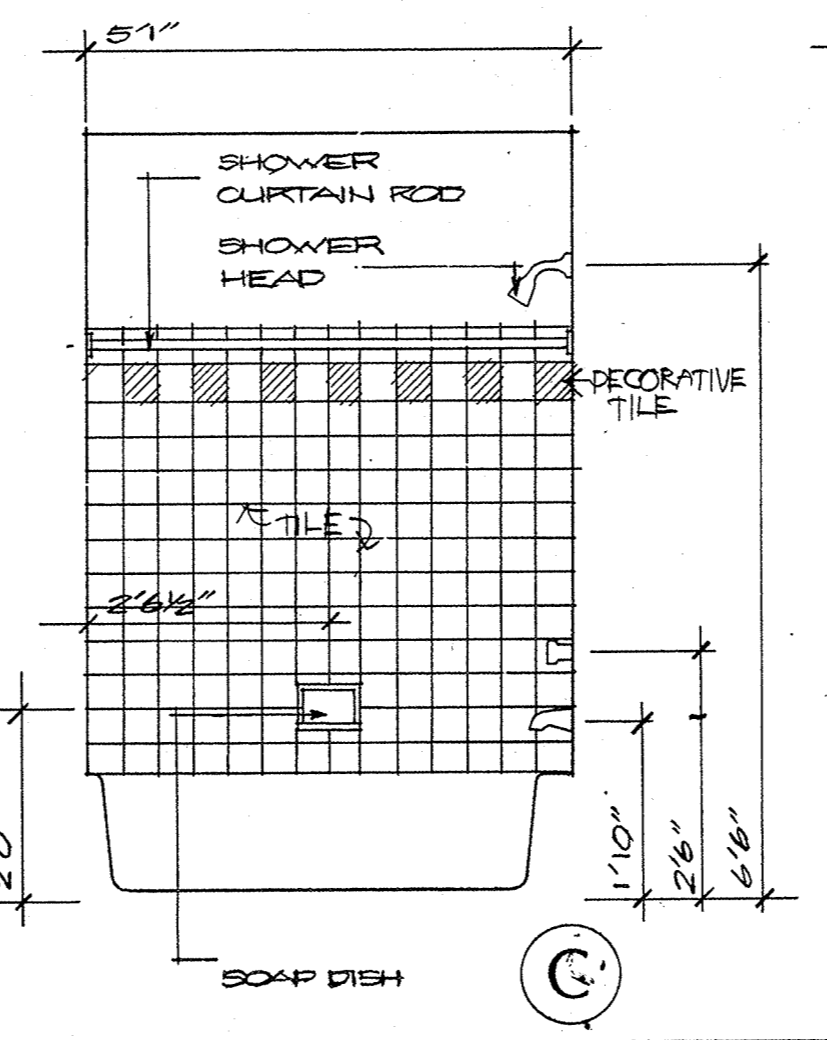
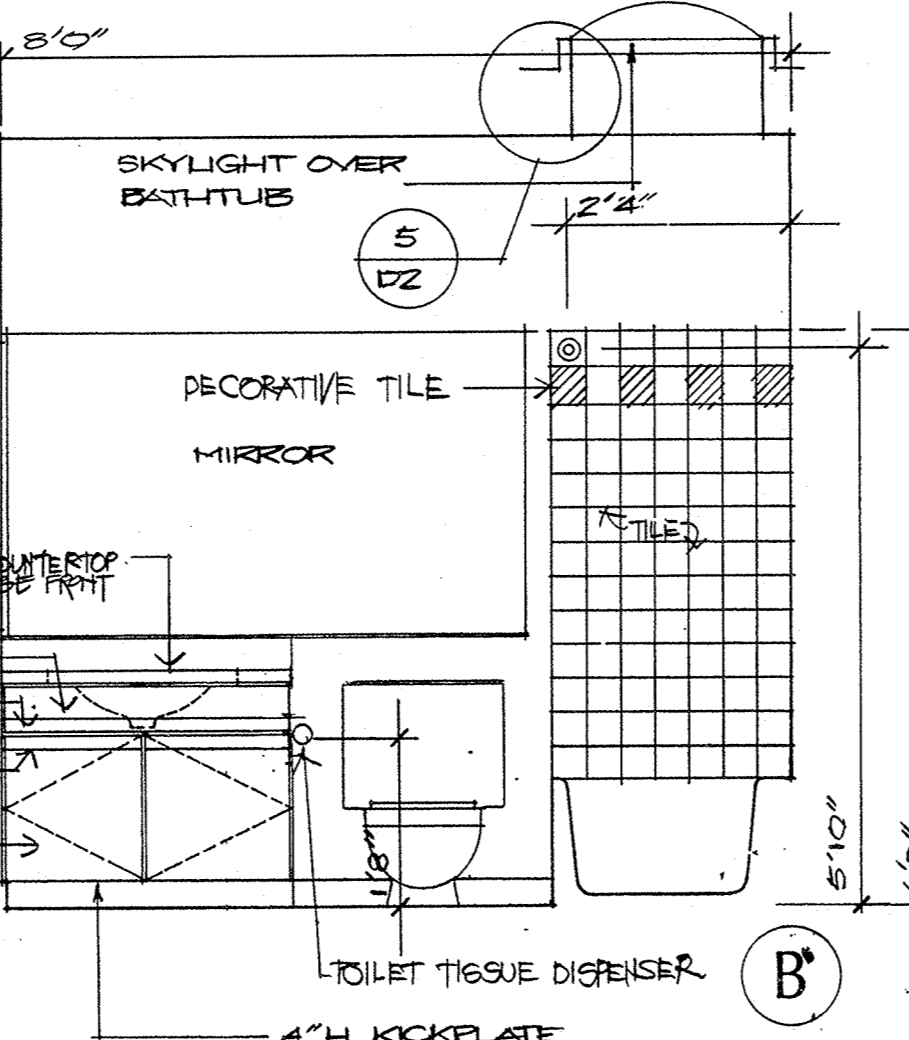
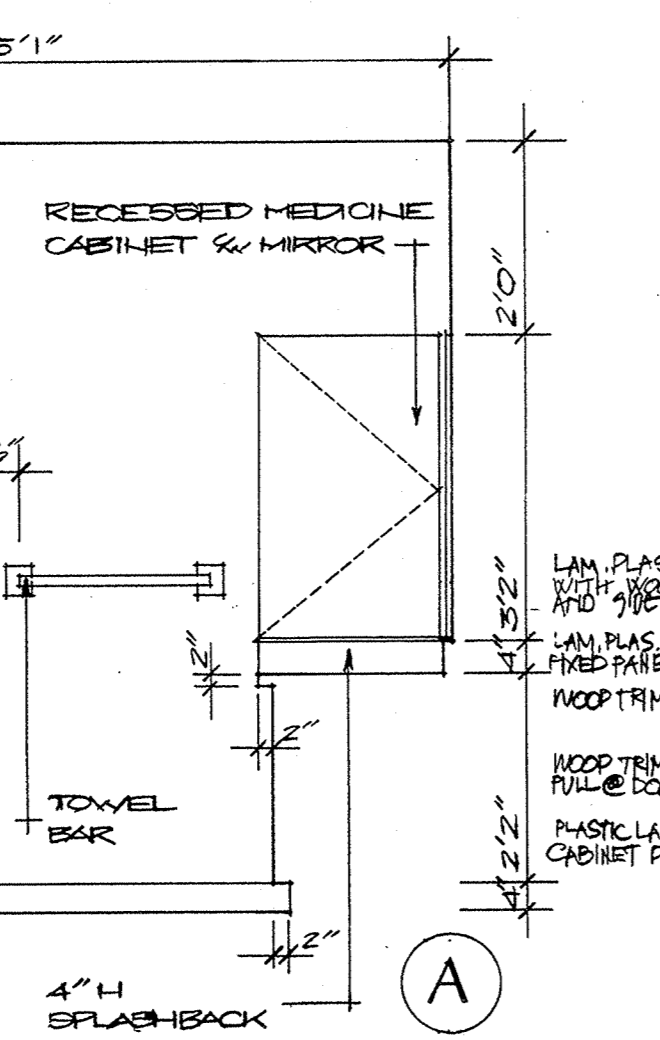
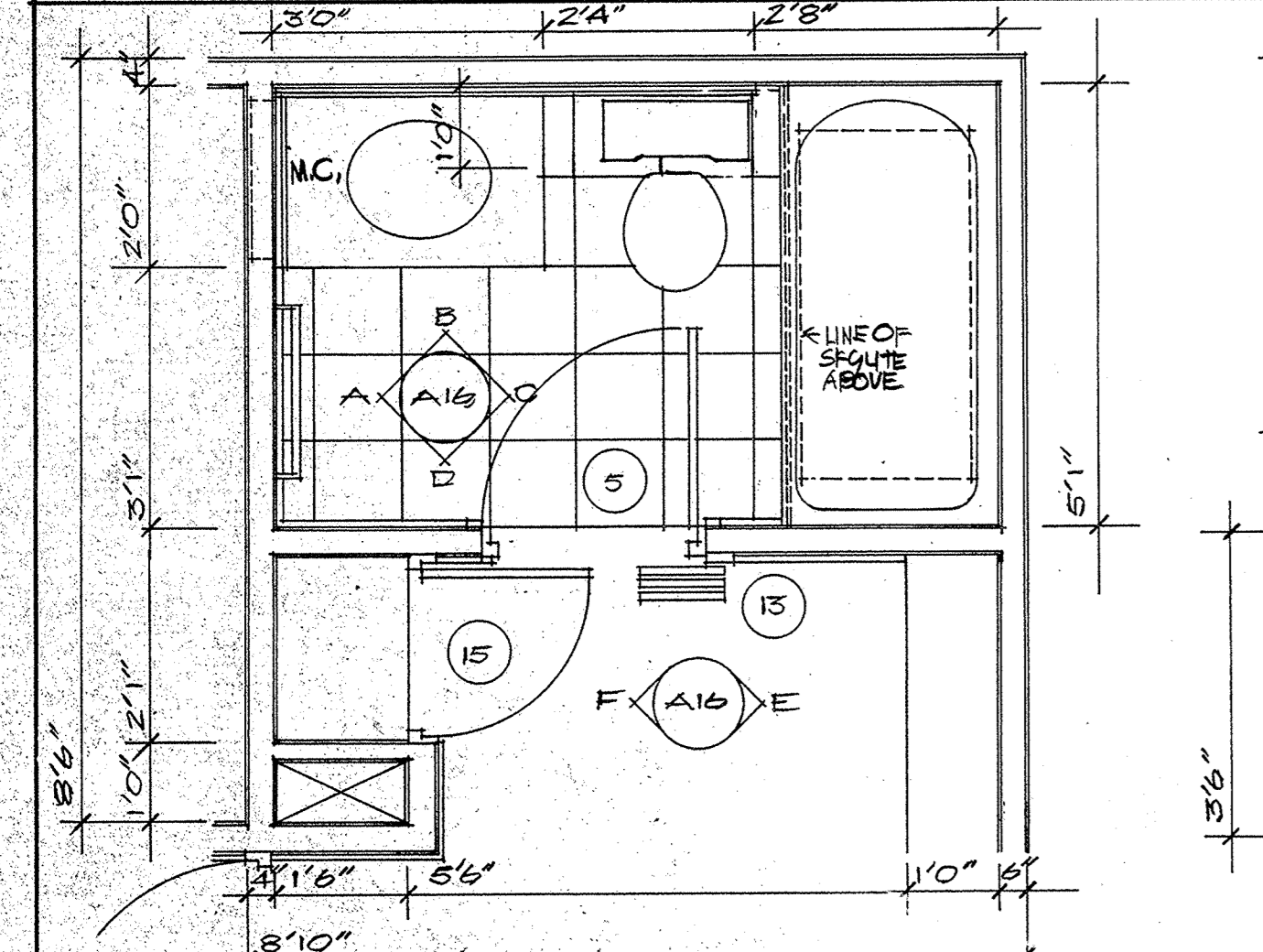


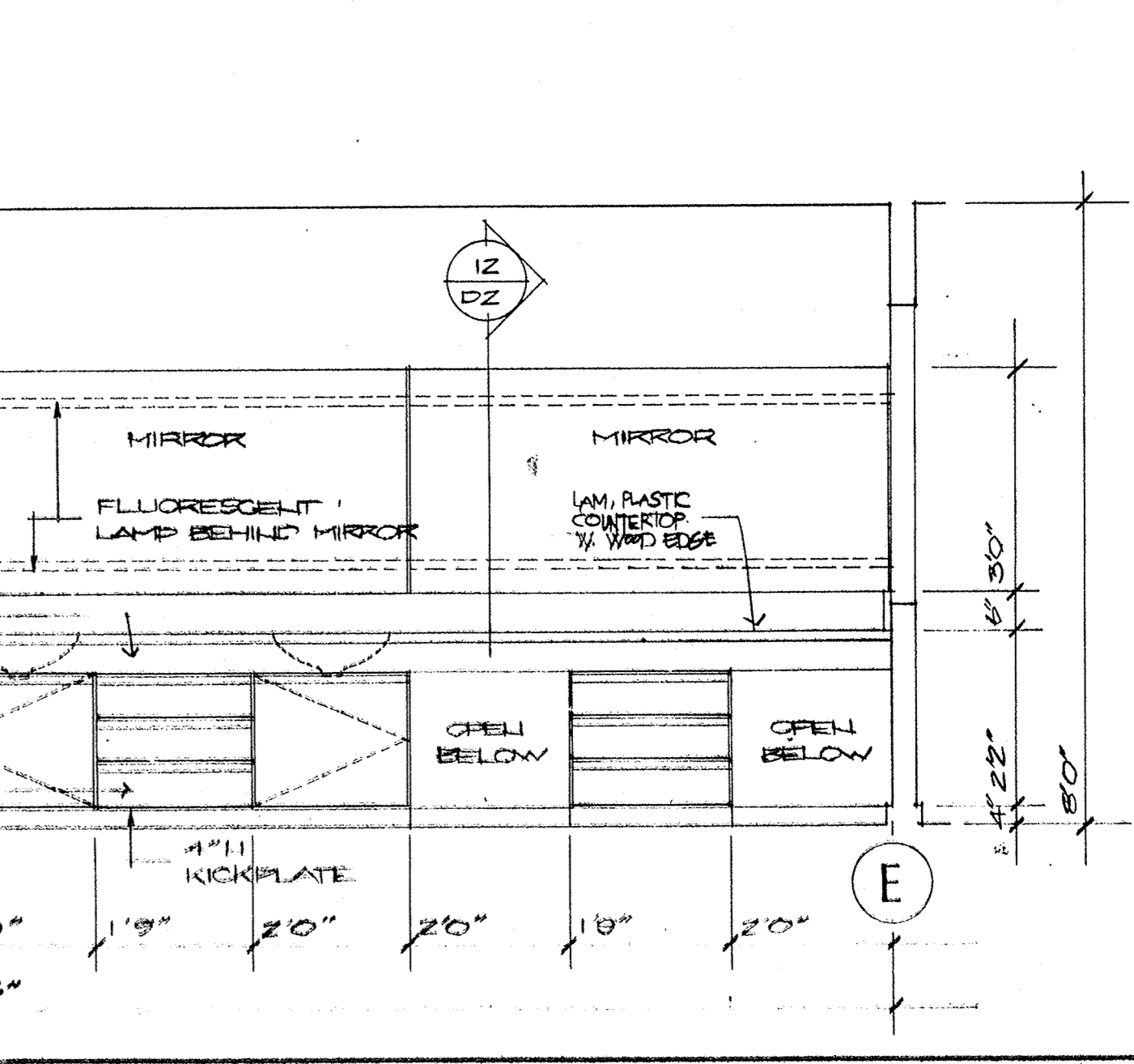
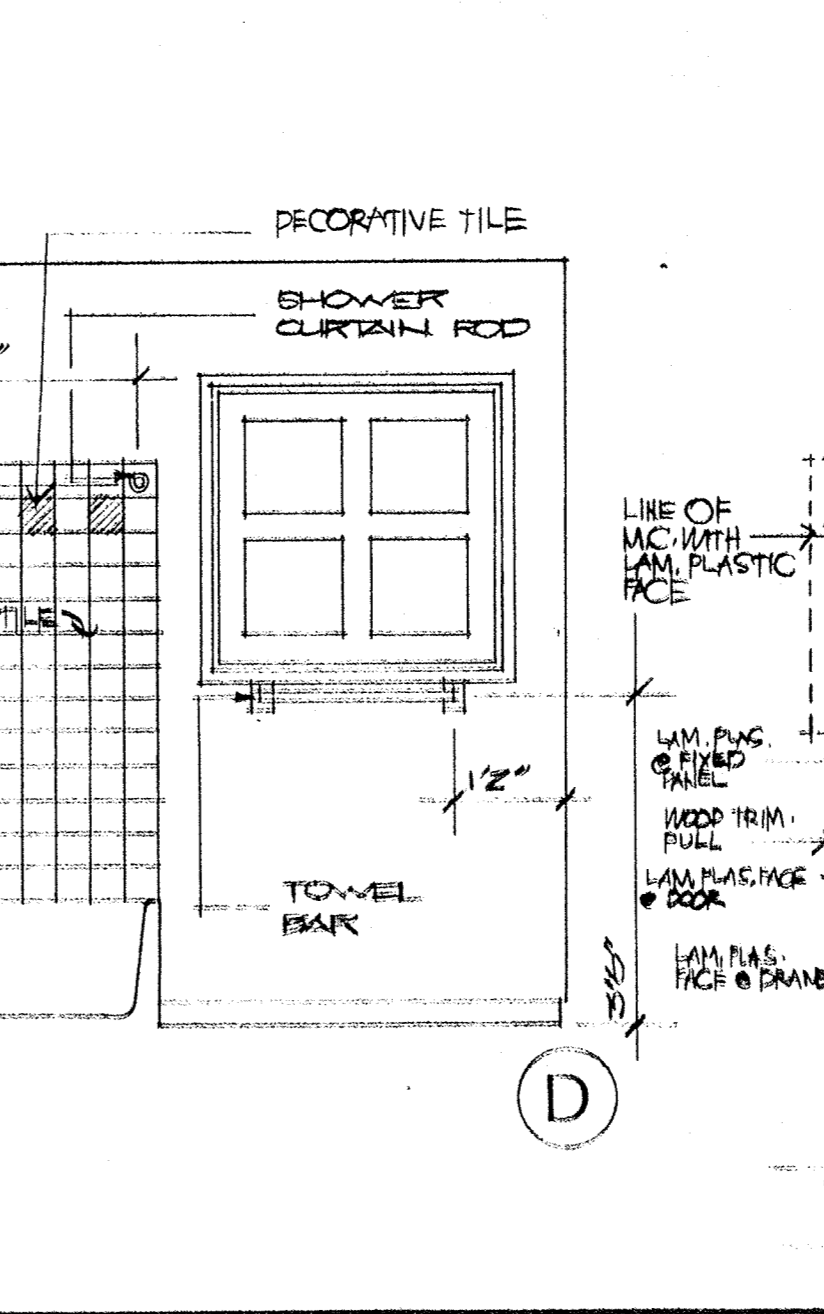
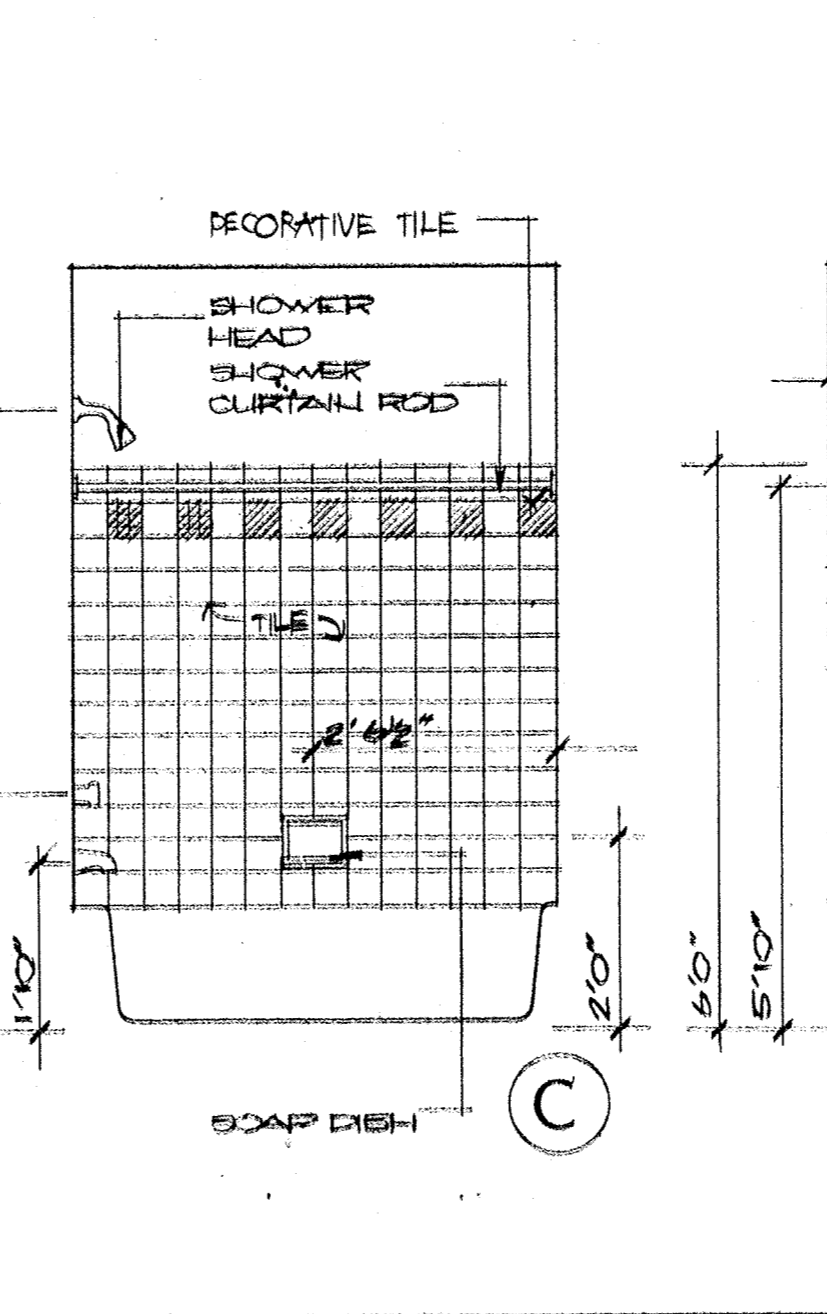
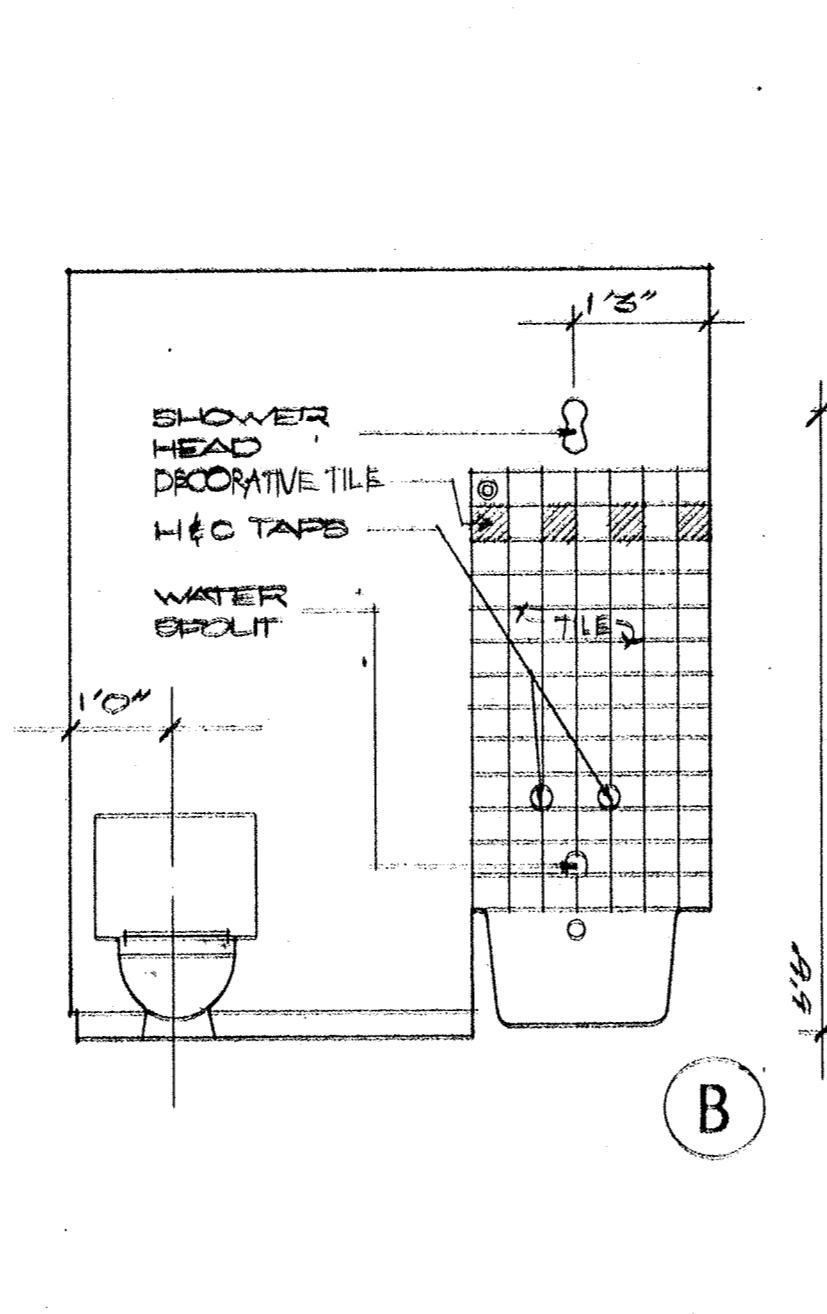
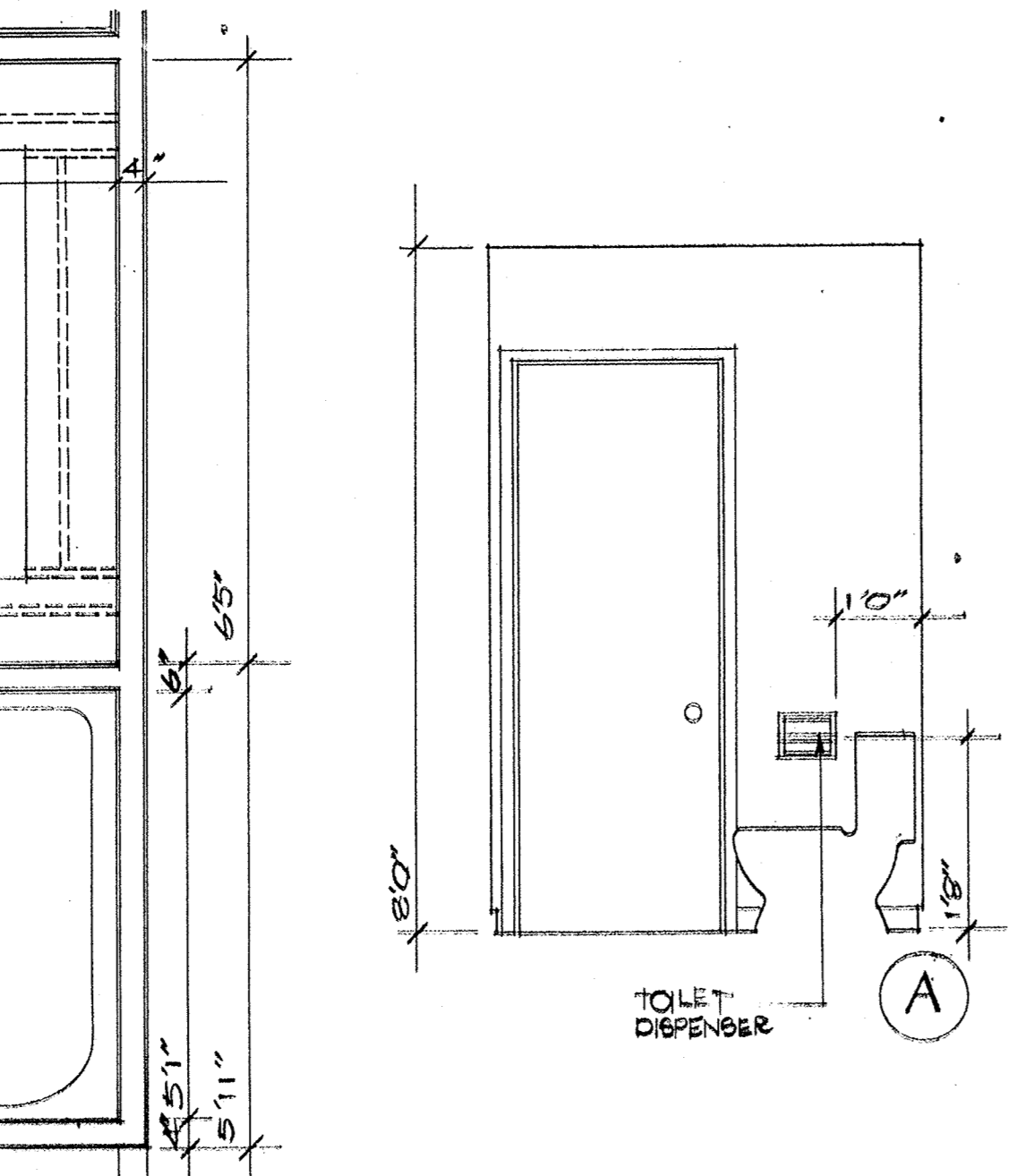
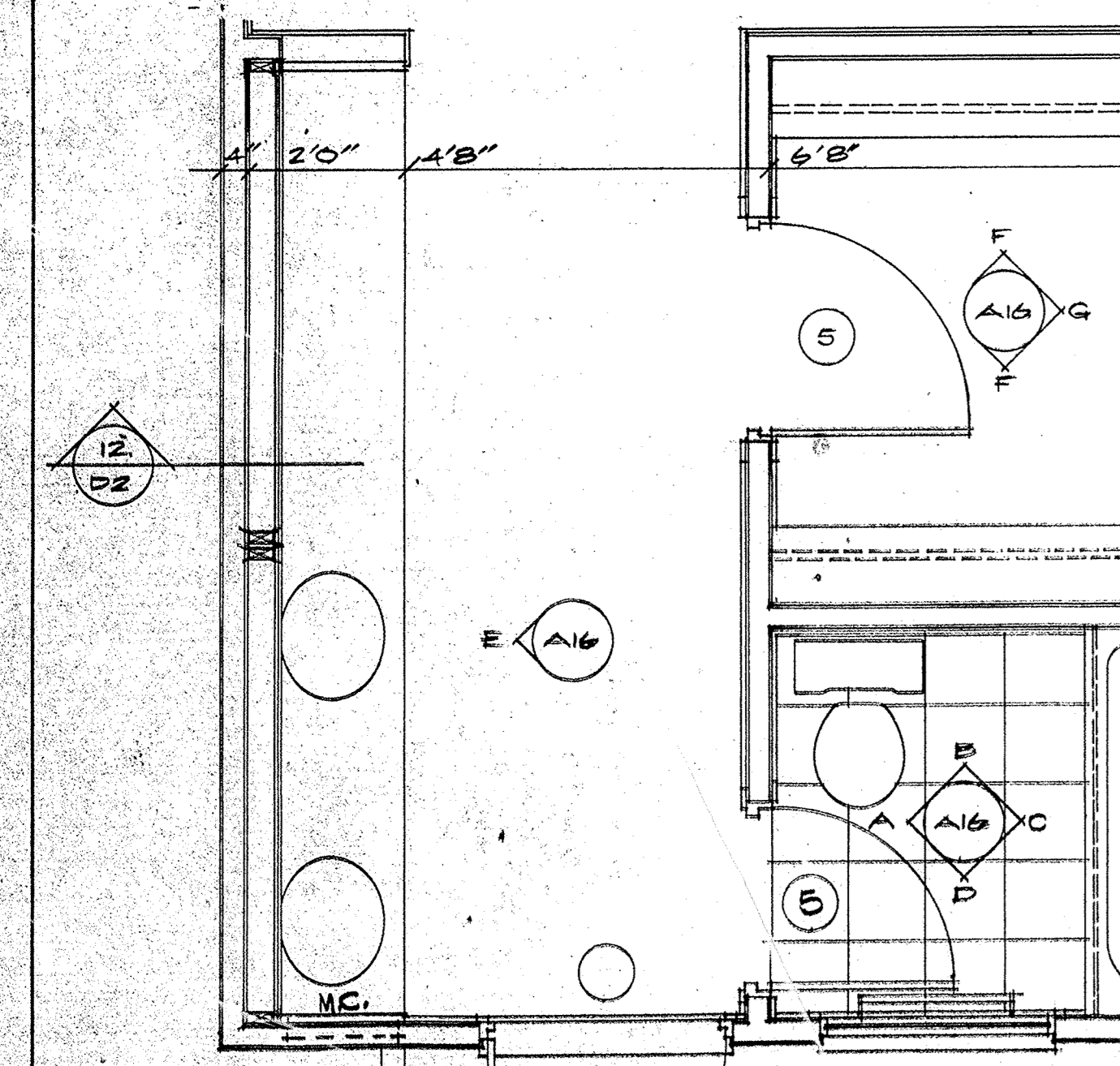
KITCHEN PLAN & ELEVATIONS



WASHROOM PLAN & ELEVATIONS



BATHROOM PLAN & ELEVATIONS



MASTER BATHROOM & ELEVATIONS

MASTER BDRM. CLOSET ELEVATIONS

LINEN/WASH CLOSET ELEVATIONS

no. date by
revision

B
Group
Architects and Planners
2055 E. Coast Highway
Suite 203
Covina, CA, California
92626
(714) 935-2300
consultants

Project title
U.C.S.B.

sheet title
INTERIOR ELEVATIONS

scale	1/2"=1'-0"	date	4/20/05
Drawn	P.L.S.	checked	
project no.	106	sheet no.	A16

This drawing, as an instrument of service, is the property of the architect and may not be reproduced without their permission and unless the reproduction carries their name. All designs and other information shown on this drawing are for use on the specified project only and shall not be used otherwise without written permission of the architect.

Written dimensions shall have precedence over traced dimensions. Contractors shall verify and be responsible for all dimensions and conditions on the job, and the architect shall be informed of any variations from the dimensions and conditions shown on the drawing. Shop drawings shall be submitted to the architect for approval before proceeding with fabrication.