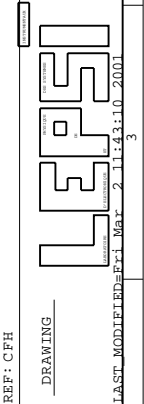


REVISIONS

- 01-03-2001 : CHANGED THERMISTOR TO 22K 0805
- 01-03-2001 : POSSIBLE RETURN TO V125 ADDED FOR TEST
- 26-02-2001 : C15 TO VSS
- 13-02-2001 : SAME MODIFICATIONS THAT FINAL TIB
- 02-10-2000 : CONNECTOR PIN ASSIGNMENT SUBJECT TO CHANGE
- 02-10-2000 : CHANGE CONNECTOR FOR FW AND OB
- 07-07-2000 : REALLOCATE CONNECTOR PINS
- 05-07-2000 : RENUMBER APVMUX PINOUT
- 04-07-2000 : CHANGE VOLTAGE DIVIDER FOR DCU

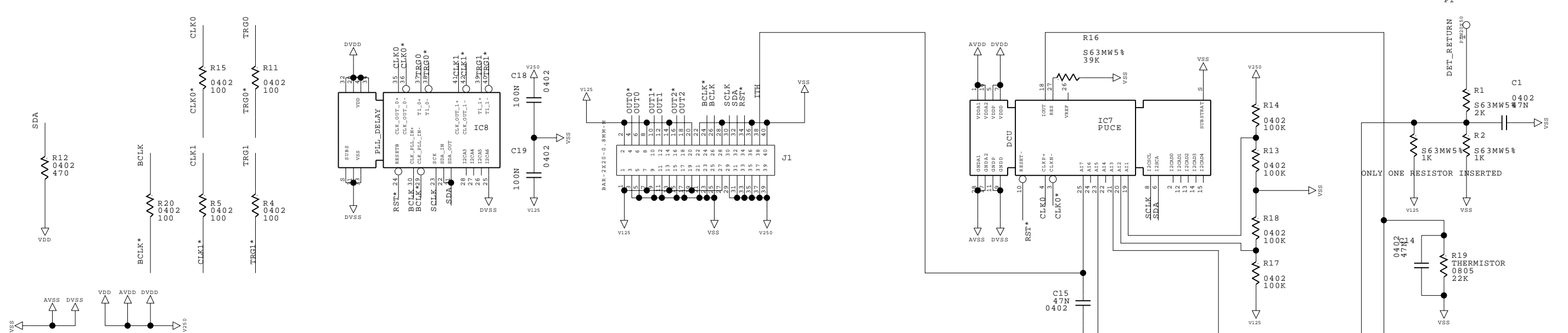
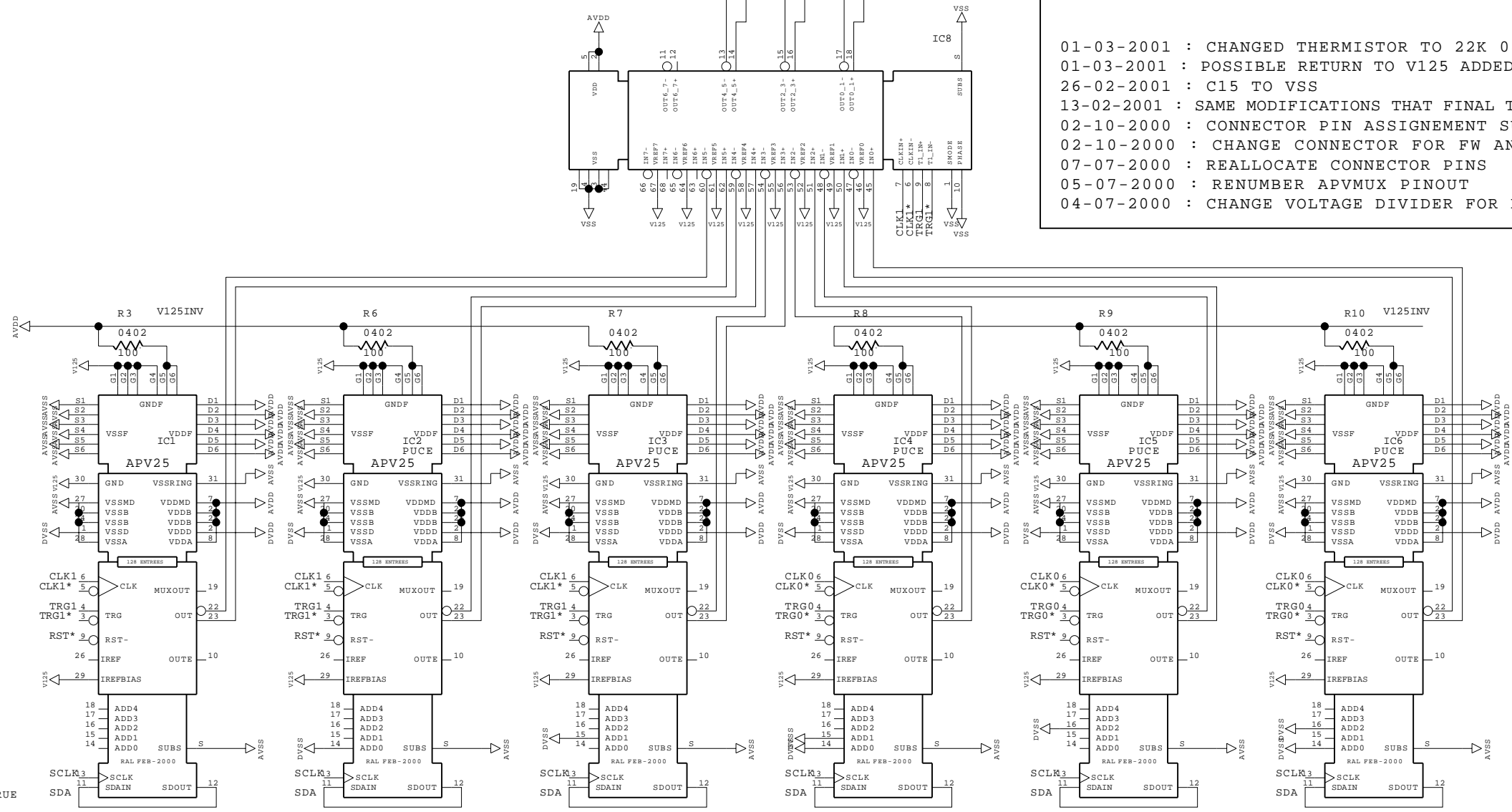


REF: CFH
DRAWING

ETUDE: _____
DESSIN: _____
PAGE: _____
DATE: _____

CMS_FEH_6_OB_EC_POS
2

LAST MODIFIED: Mar 2 11:43:10 2001



VSS=0V
V125=1.25V
V250=2.5V
DIGITAL AND ANALOG POWER SUPPLIES INTERCONNECTED