

# Error reporting

Tracker Week 01/2003

Strasbourg

Presented by Pierre Van Hove

2702  
EP 600-1174-400-B  
FE-HYBRID



C1  
V250  
C2  
C3

J2  
R2 R3  
R4  
R5

C4  
V125  
C5  
C6

J4

R10 R12  
R11 R13

R14 R15  
R16 R17  
R47

CM5 TOB 04-2002

FE\_HYBRID TO UTRI ADAPTER CARD

0133

ERN1

004519

2

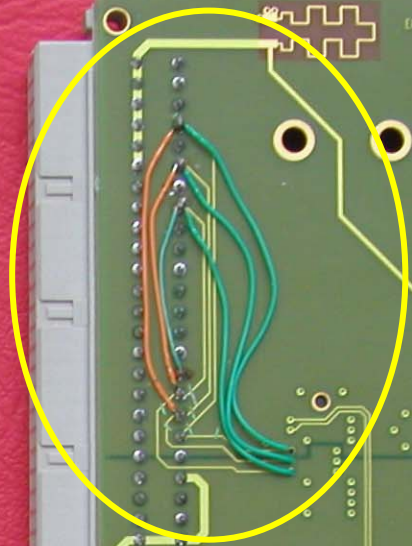
2

ERN

004362

9020

FE-HYBRID  
EP 600-1174-400-B





0000

0000

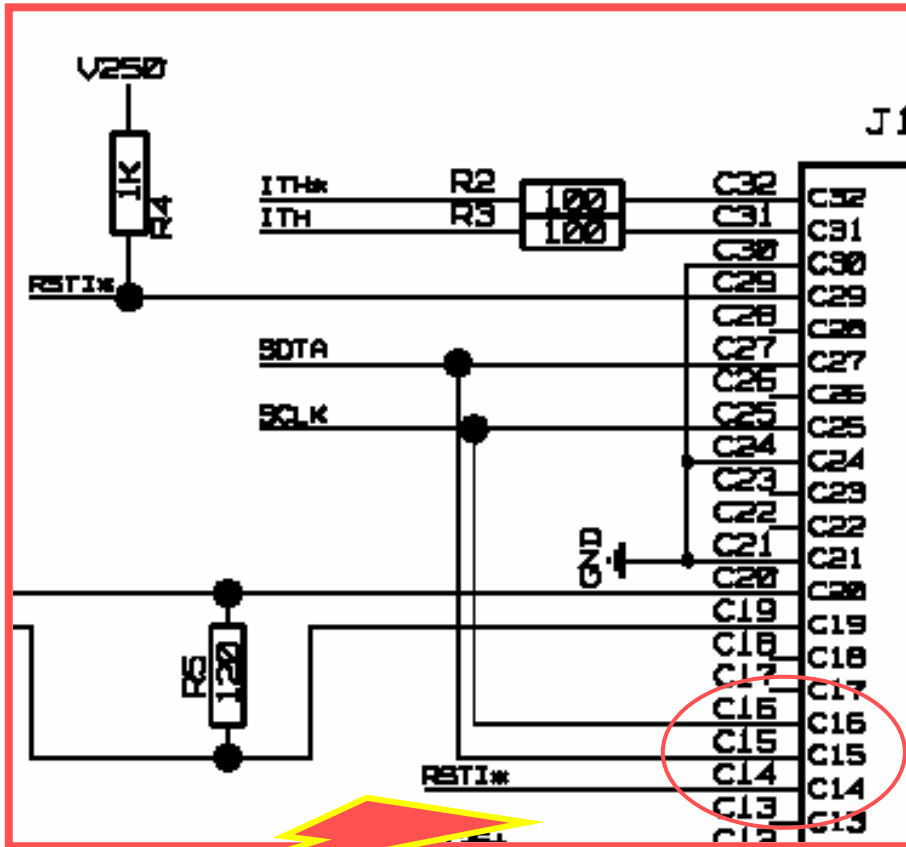
0000

0000

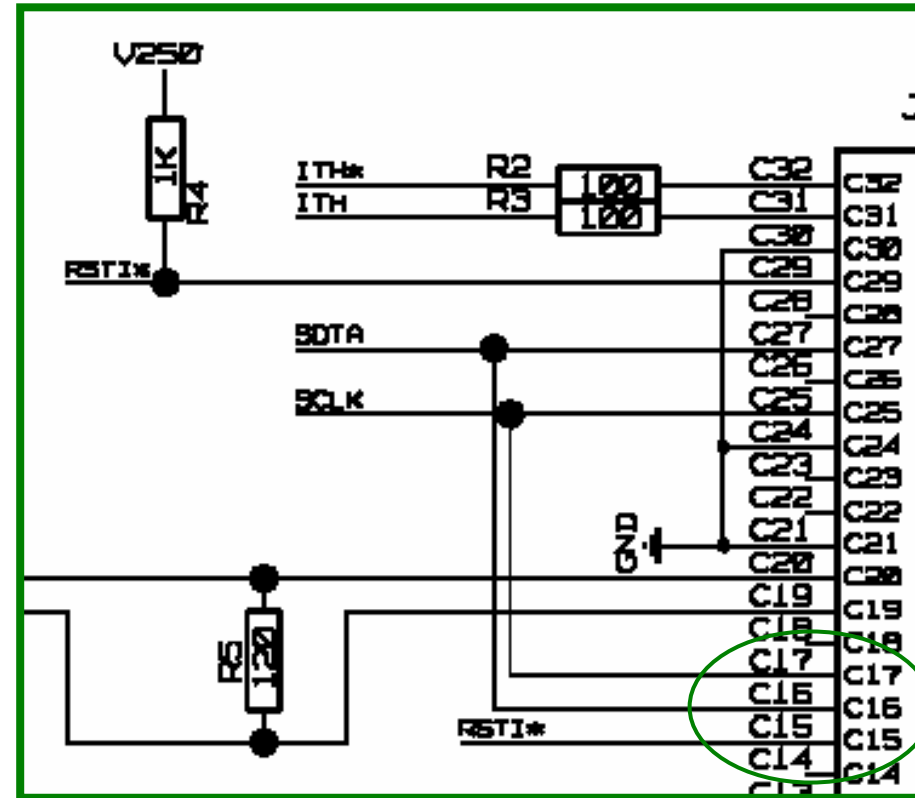
EDMS REF:318639	VERSION:3	PCB:EP 680-1174-400-B SYSTEM:	
REF: EP 680-1174-400-B	TITLE: FE_HYBRID TO UTRI / TEST ADAPTER CARD		
 IT/CE	DIV. EP	ABBREU:	PAGE: 1/1
	1211 GENEVA 23	LAST_MODIFIED=Fri May 3 08:21:32 2002	
	SWITZERLAND	DESSIN: SANCHEZ M.	ETUDE: HAMMARSTROM DATE: 03/07/00

EDMS REF:318639	VERSION:4	PCB:EP 680-1174-400-C SYSTEM:	
REF: EP 680-1174-400-C	TITLE: FE_HYBRID TO UTRI / TEST ADAPTER CARD		
 IT/CE	DIV. EP	ABBREU:	PAGE: 1/1
	1211 GENEVA 23	LAST_MODIFIED=Mon Sep 23 15:06:59 2002	
	SWITZERLAND	DESSIN: SANCHEZ M.	ETUDE: HAMMARSTROM DATE: 03/07/00

Version 3: may 2002



Version 4: Sept 2002



Bad because C14 is connected to V250 (in VUTRI)

➔ No (reliable) reset.

C15 and C16 connected to OHRST & OHSDA

➔ No problem if no opto-hybrid

**C14**

**C15**

**C16**

**C17**

**C25**

**C27**

**C29**

