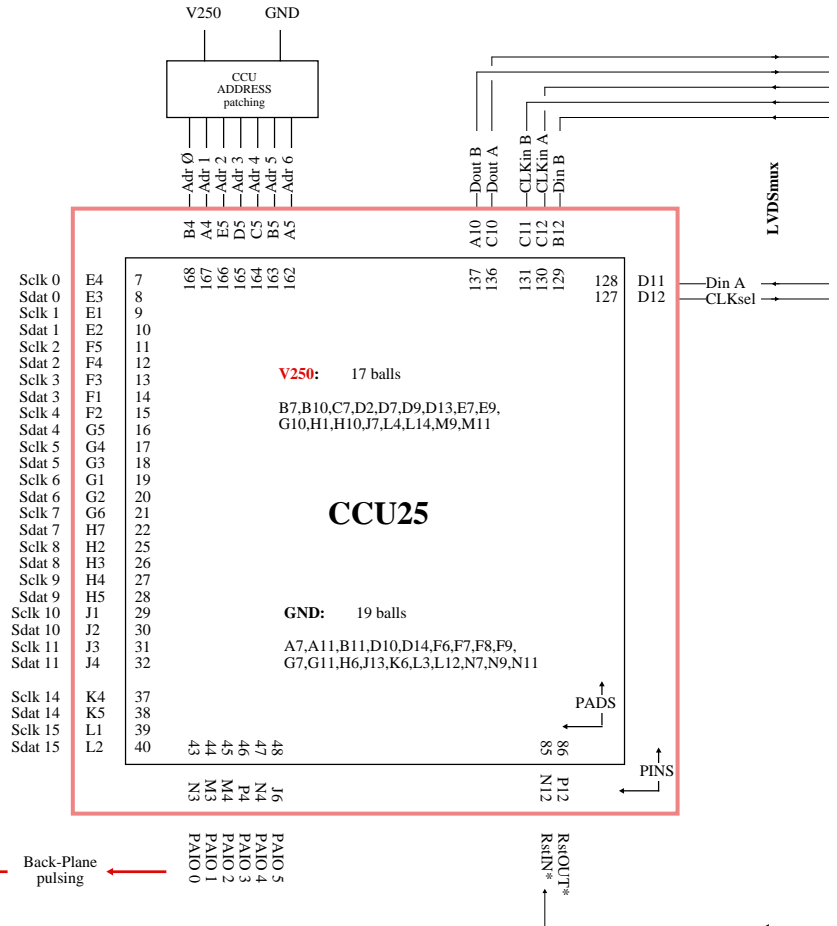
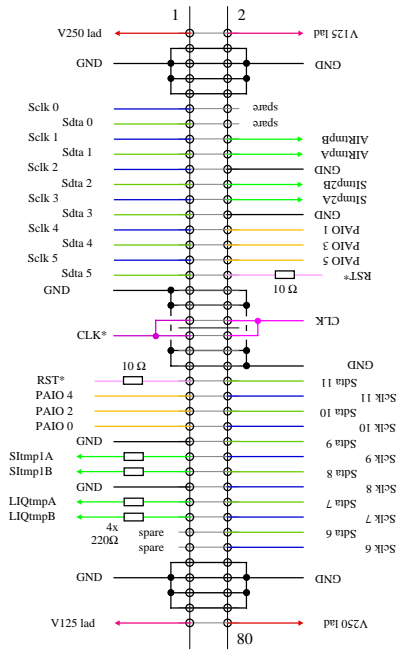
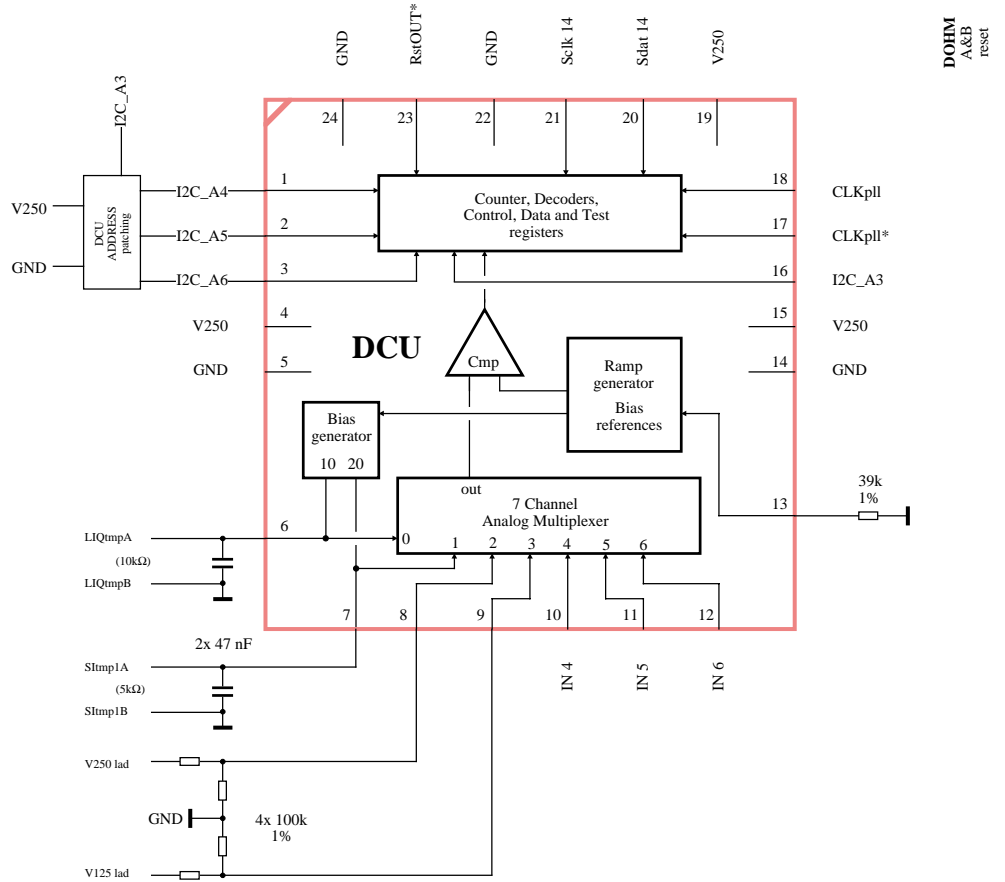
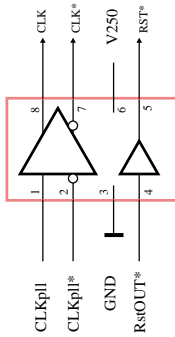


**ICB connector NAIS (header bottom mounted)**



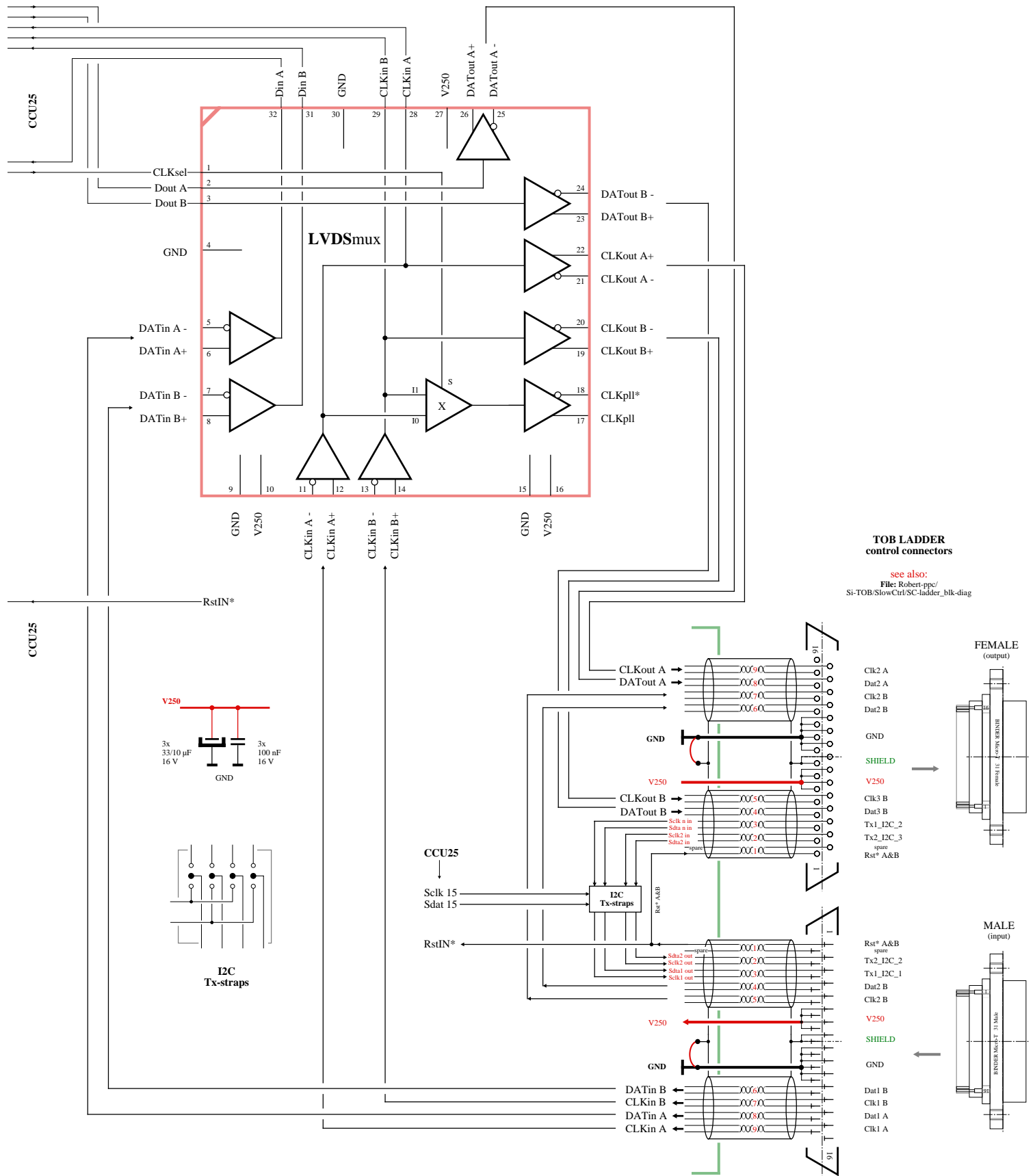
**LVDSbuf**



**CCUM electrical diagram**

R.Hammarström/cern/ep/cmt

(TOB, Layer 1-6, High & Low)



**CCUM**  
electrical diagram

R.Hammarström/cern/ep/cmt

(TOB, Layer 1-6, High & Low)