

- 2x SCREW  
BN5687-3061600  
M2.5 L=10mm
- 2x WASHER  
BN678-8303525  
for M2.5 screw
- 2x NUT  
BN629-1348426  
for M2.5 screw

Project file: o\_dmb.cpm  
 EDA-02415-V4-0  
 European Organization for Nuclear Research  
 1211 GENEVA 23 SWITZERLAND

SYSTEM: Cadence SPB16.6

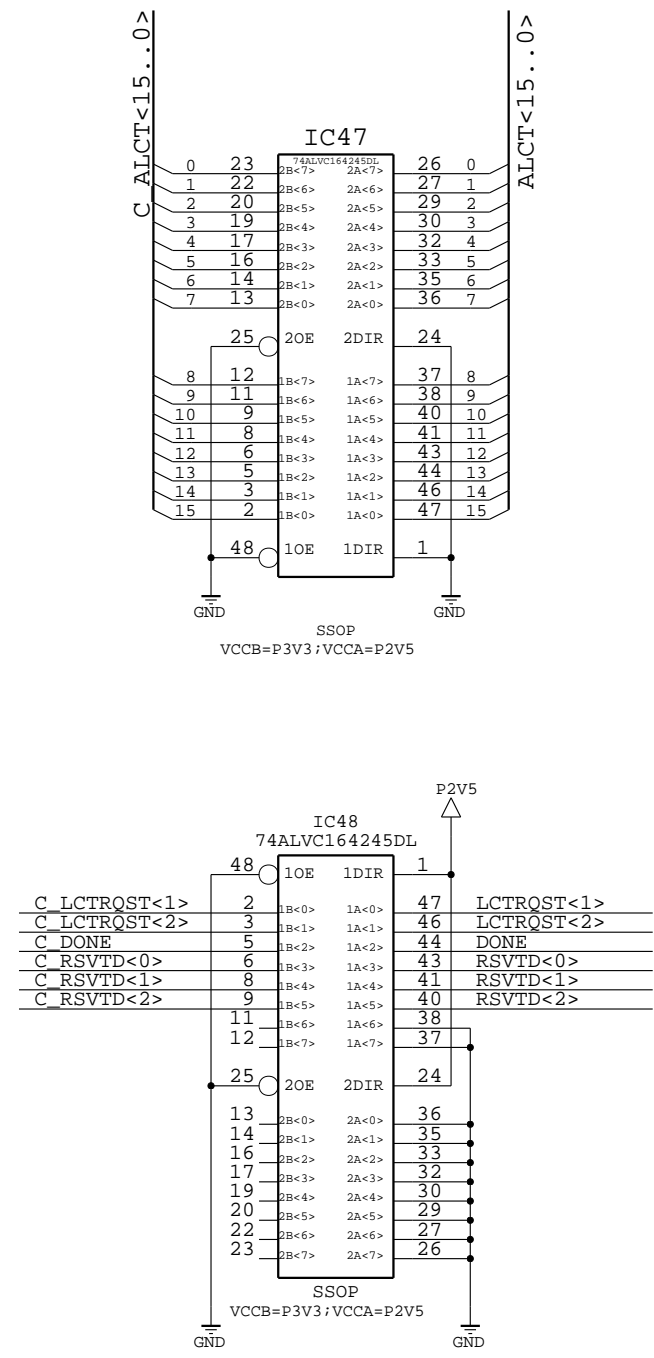
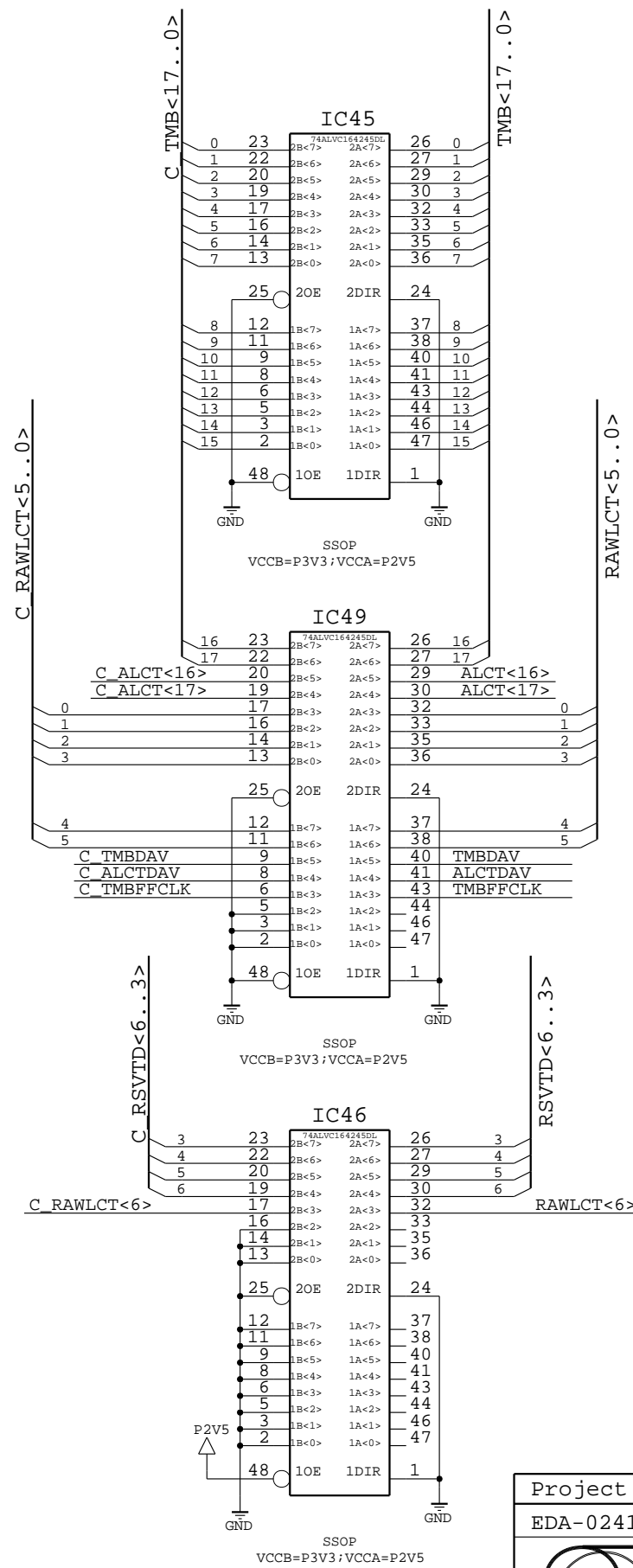
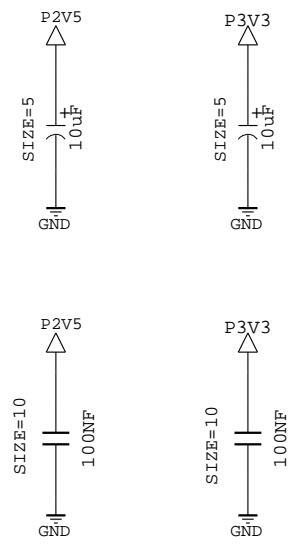
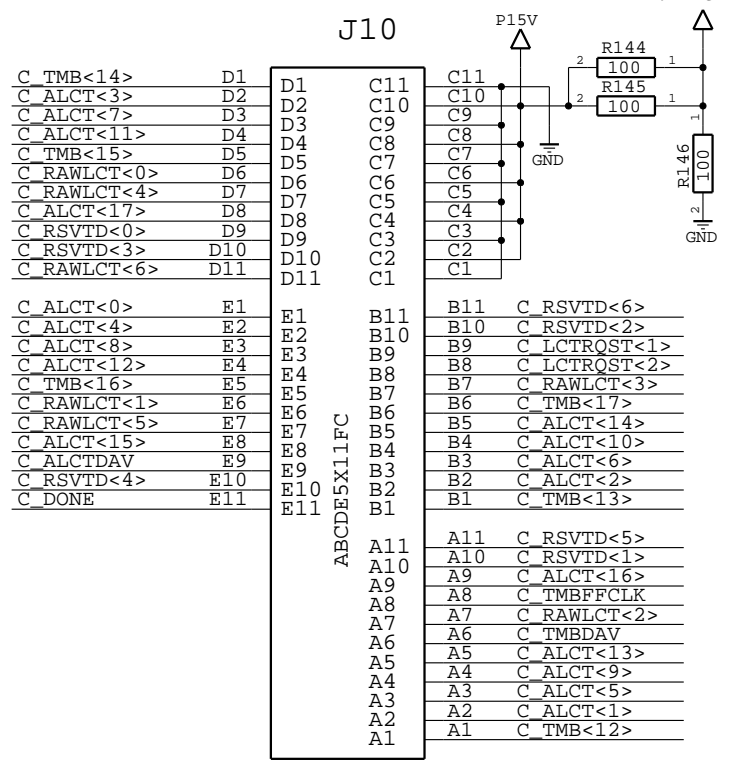
**PROJECT: O-DMB**

MODULE: o\_dmb  
 LAST\_MODIFIED=Mon Jan 06 15:25:01 2014  
 Design by: G. Magazzu  
 PCB by: JMC  
 DATE: 06/01/2014

Sheet: 1/11 / Project: 1/11







Project file: o\_dmb.cpm SYSTEM: Cadence SPB16.6

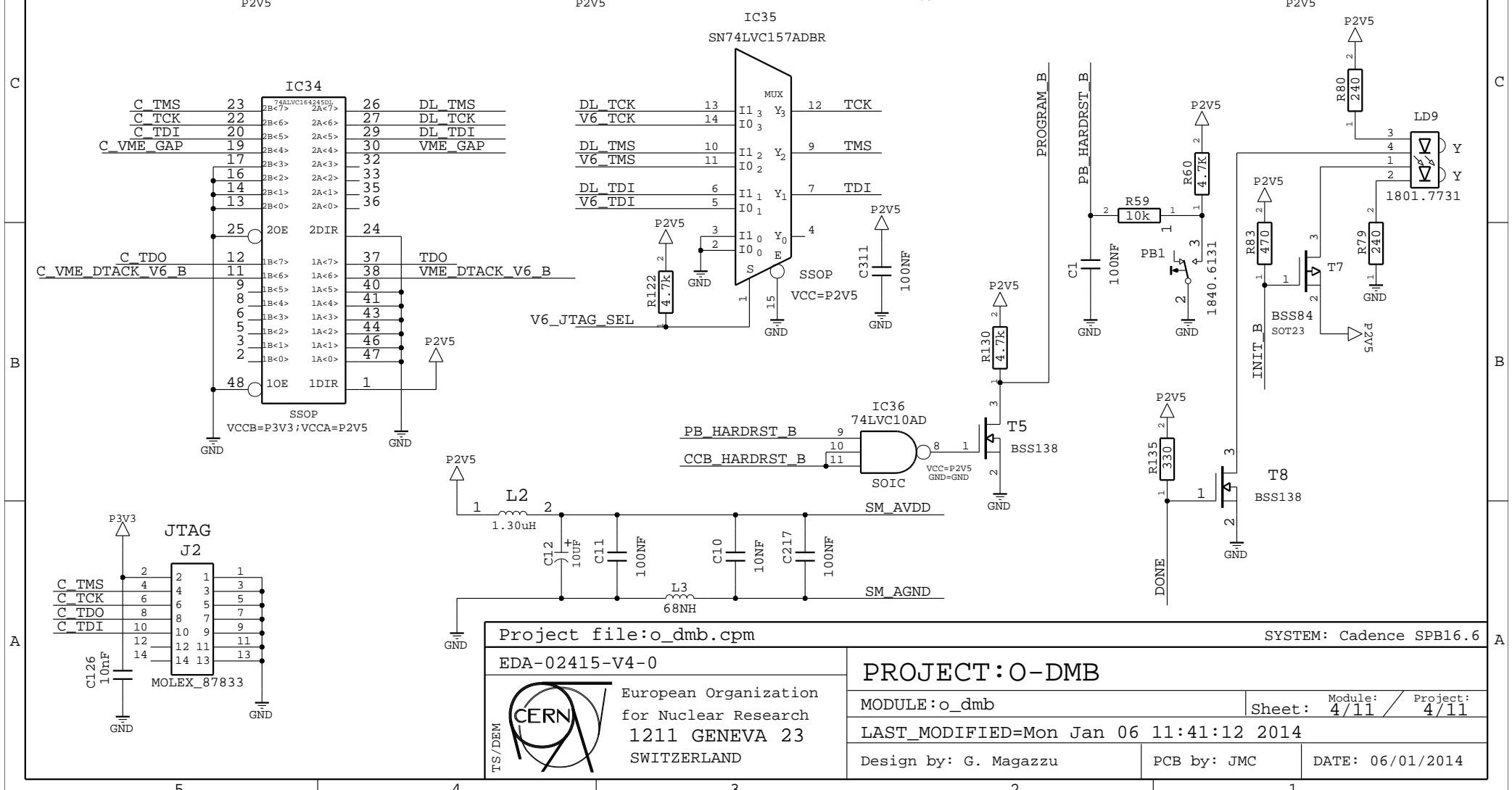
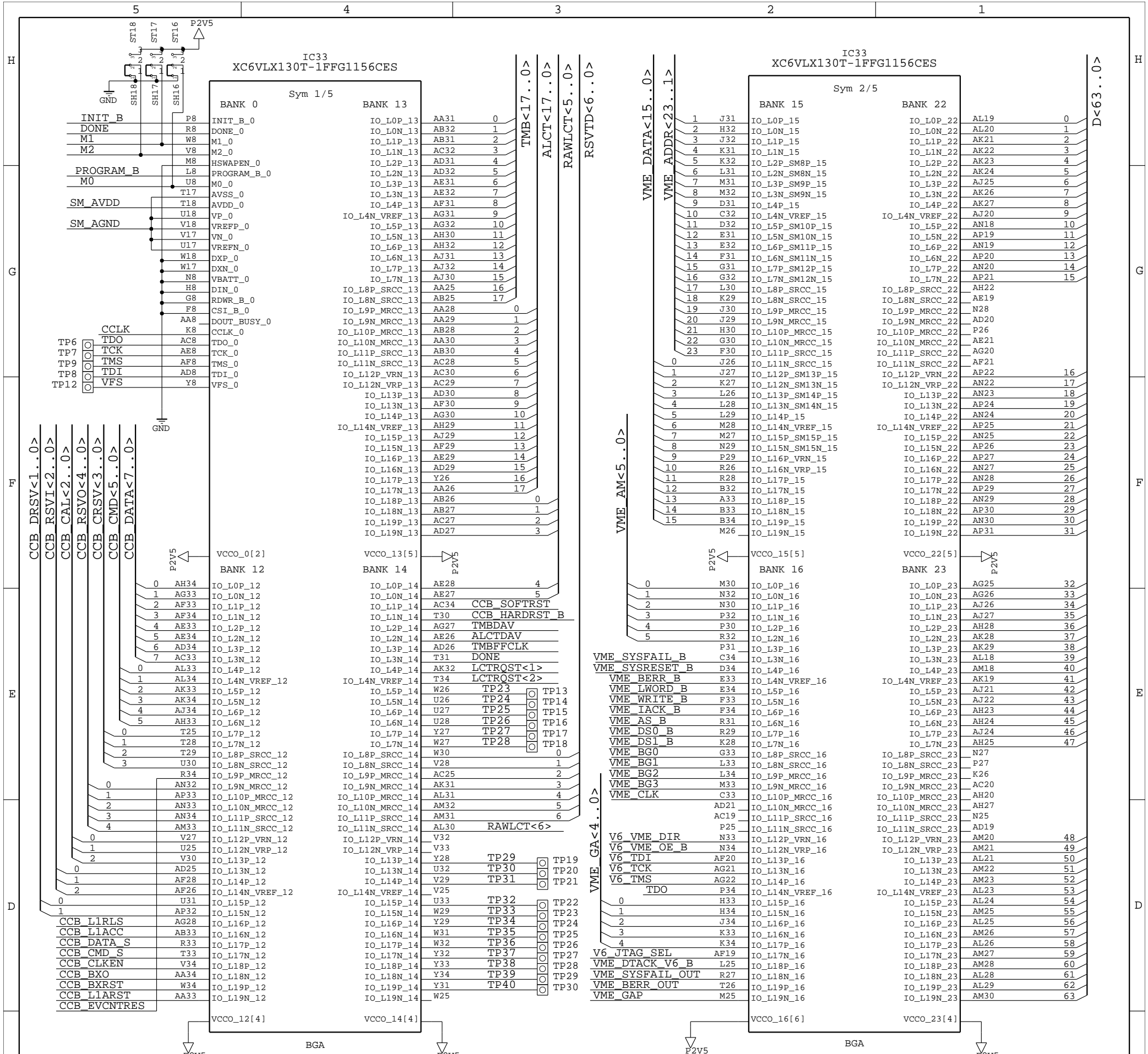
EDA-02415-V4-0 PROJECT: O-DMB

European Organization for Nuclear Research 1211 GENEVA 23 SWITZERLAND

MODULE: o\_dmb Sheet: 3/11 / Project: 3/11

LAST\_MODIFIED=Mon Jan 06 11:24:19 2014

Design by: G. Magazzu PCB by: JMC DATE: 06/01/2014



European Organization  
 for Nuclear Research  
 1211 GENEVA 23  
 SWITZERLAND

H

H

G

G

F

F

E

E

D

D

C

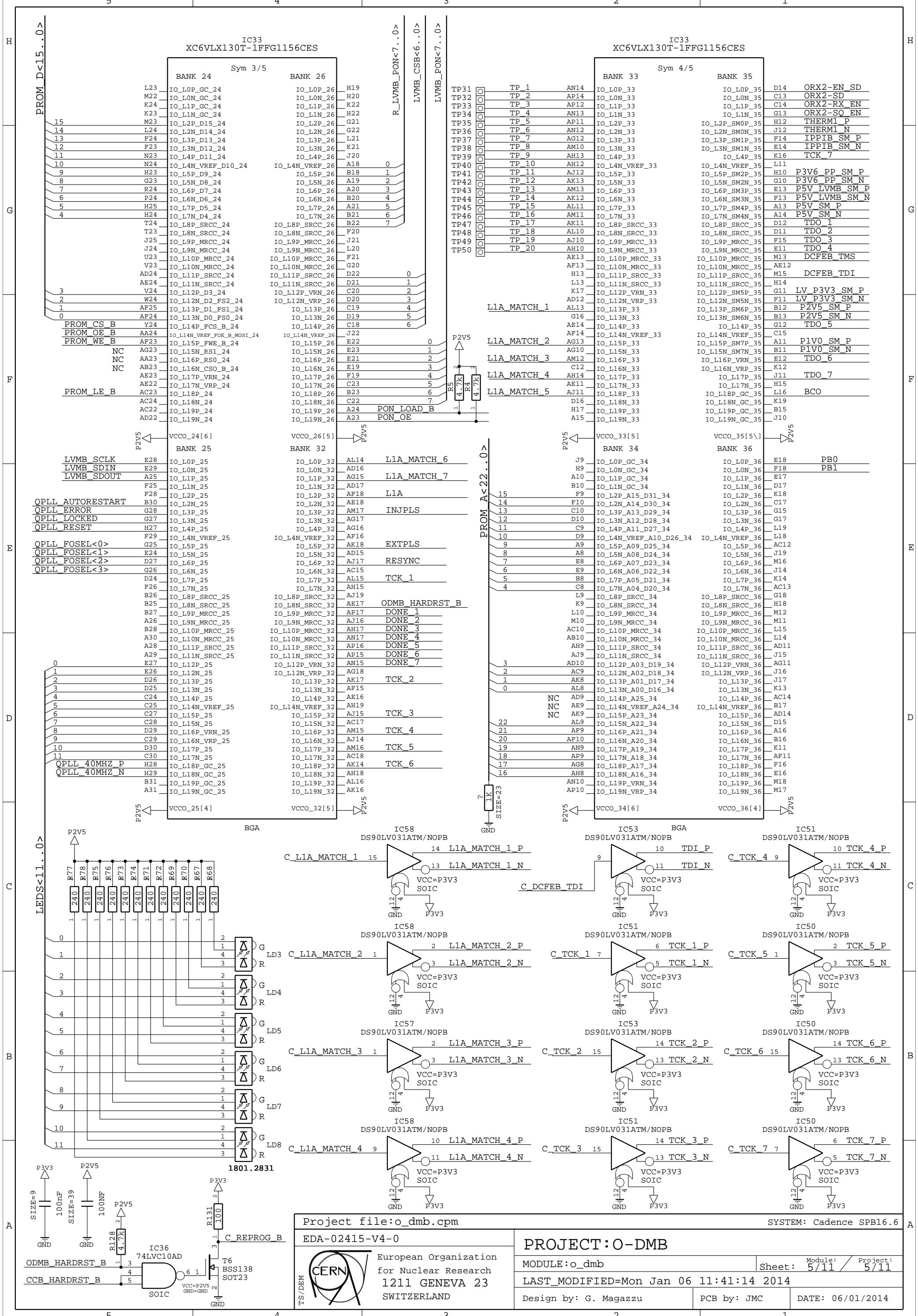
C

B

B

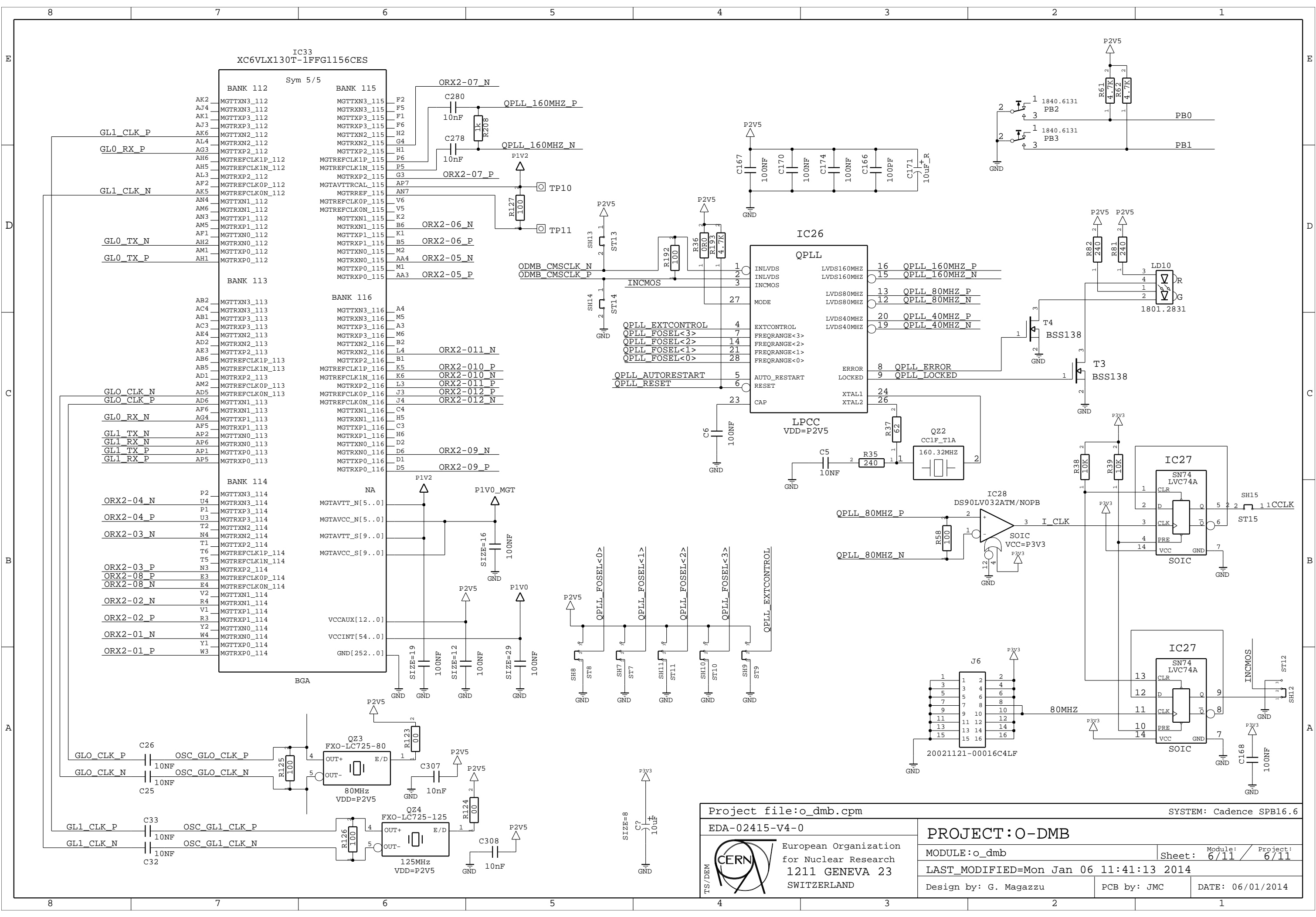
A

A



Project file: o\_dmb.cpm  
 EDA-02415-V4-0  
 European Organization for Nuclear Research  
 1211 GENEVA 23  
 SWITZERLAND

PROJECT: O-DMB  
 MODULE: o\_dmb  
 LAST\_MODIFIED=Mon Jan 06 11:41:14 2014  
 Design by: G. Magazzu  
 PCB by: JMC  
 DATE: 06/01/2014



Project file: o\_dmb.cpm SYSTEM: Cadence SPB16.6

EDA-02415-V4-0

European Organization for Nuclear Research  
1211 GENEVA 23  
SWITZERLAND

**PROJECT: O-DMB**

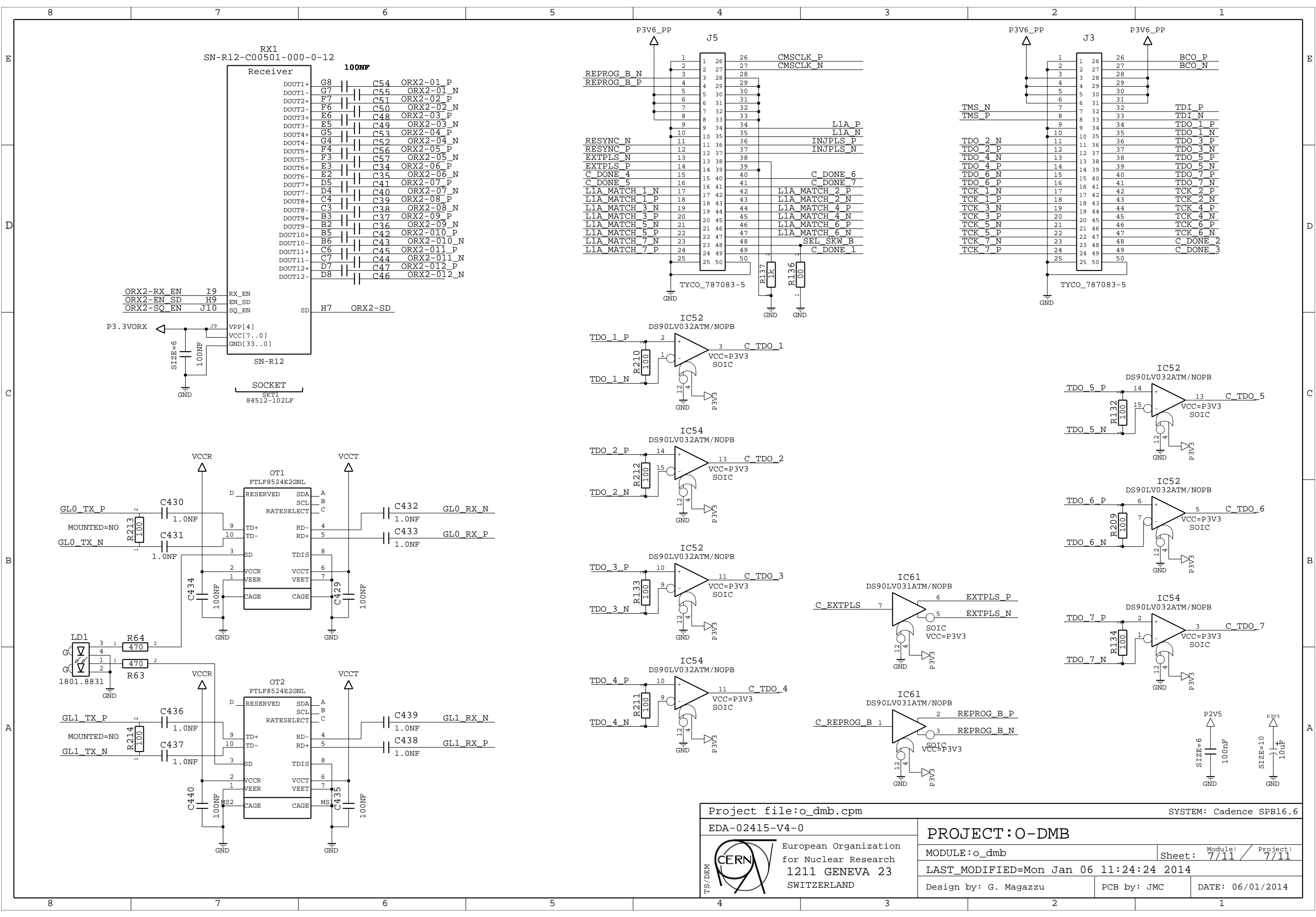
MODULE: o\_dmb Sheet: 6/11 / Project: 6/11


LAST\_MODIFIED=Mon Jan 06 11:41:13 2014

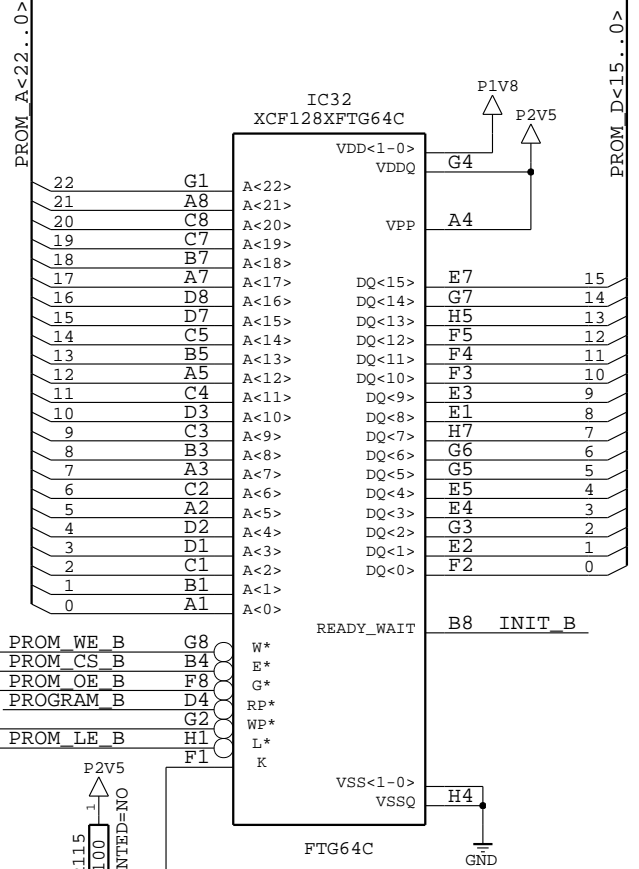
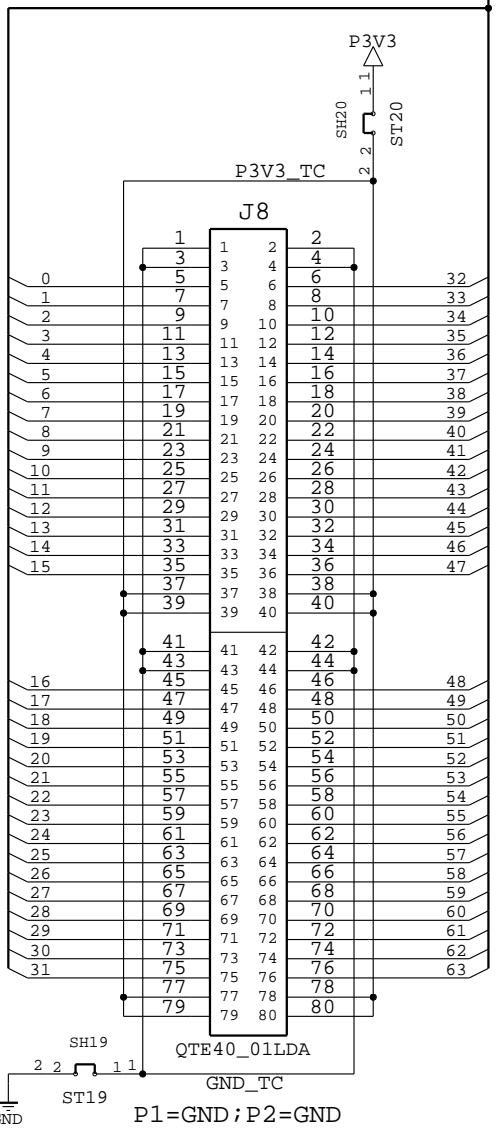
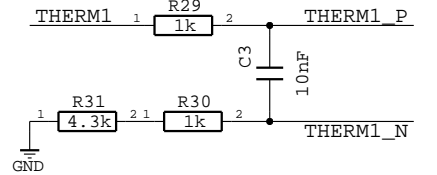
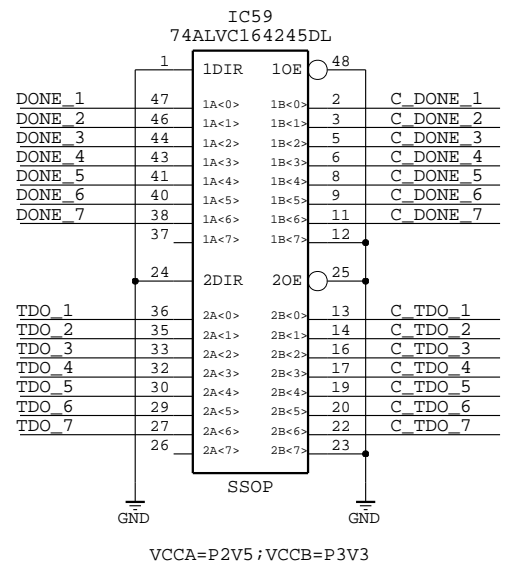
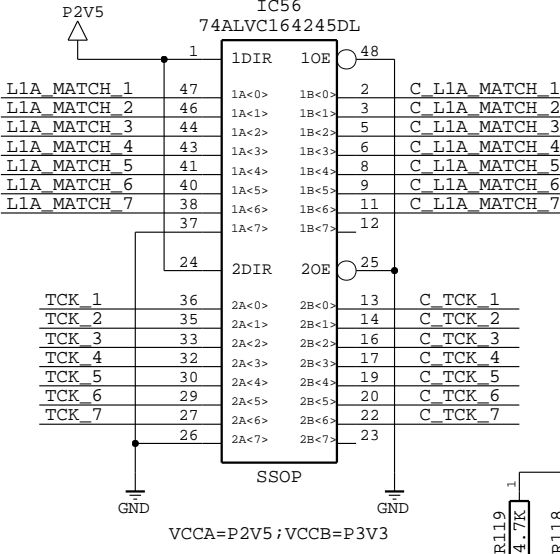
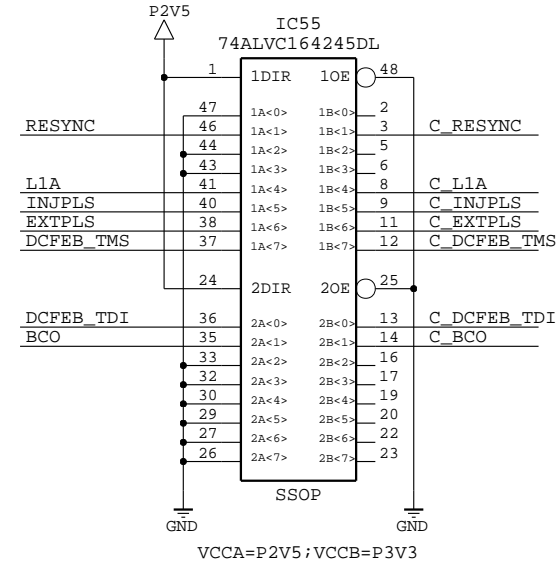
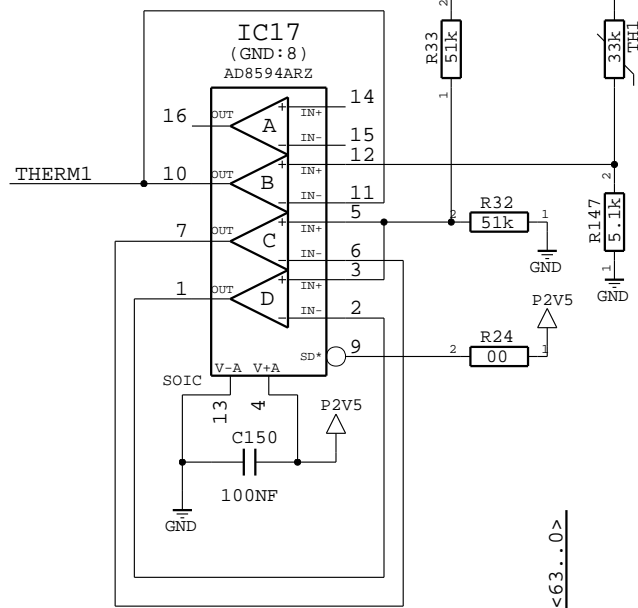
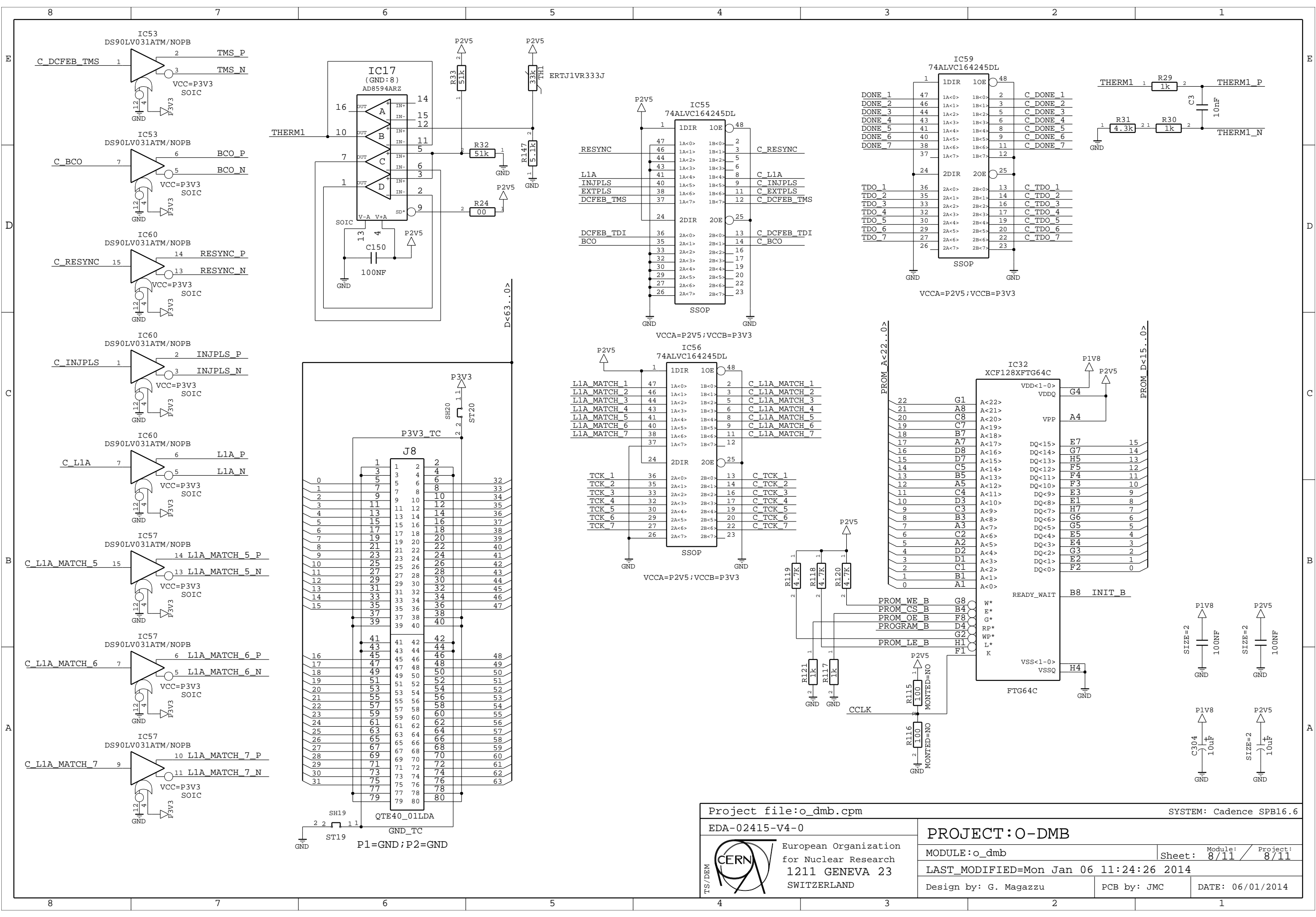
Design by: G. Magazzu PCB by: JMC DATE: 06/01/2014



TS/DEM



Project file: o_dmb.cpm		SYSTEM: Cadence SPB16.6	
EDA-02415-V4-0		<b>PROJECT: O-DMB</b>	
 European Organization for Nuclear Research 1211 GENEVA 23 SWITZERLAND		MODULE: o_dmb	Sheet: 7/11 / Project: 7/11
		LAST_MODIFIED=Mon Jan 06 11:24:24 2014	
Design by: G. Magazzu	PCB by: JMC	DATE: 06/01/2014	



Project file: o\_dmb.cpm SYSTEM: Cadence SPB16.6

EDA-02415-v4-0

**PROJECT: O-DMB**

European Organization for Nuclear Research  
1211 GENEVA 23  
SWITZERLAND

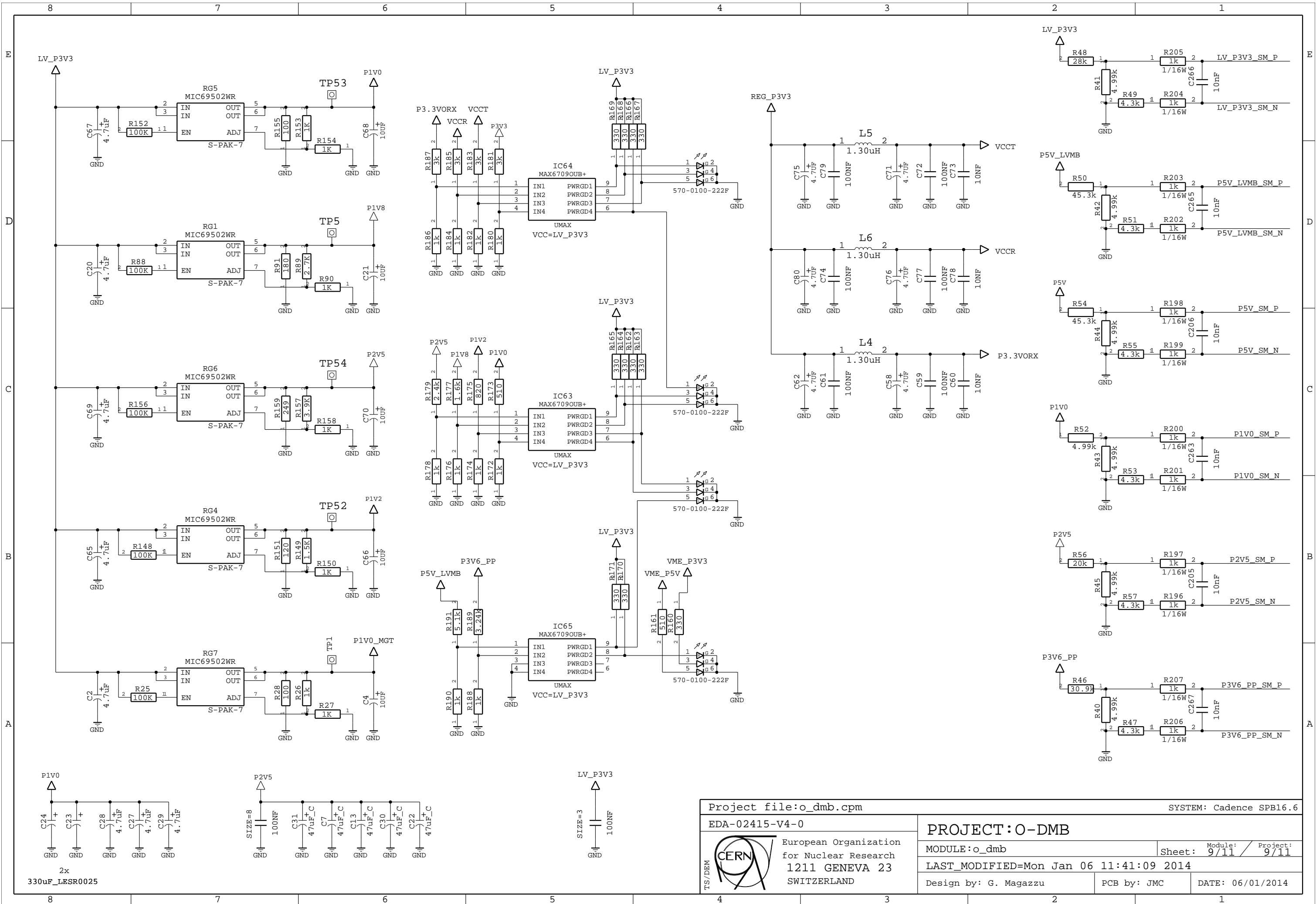
MODULE: o\_dmb Sheet: 8/11 / Project: 8/11


LAST\_MODIFIED=Mon Jan 06 11:24:26 2014

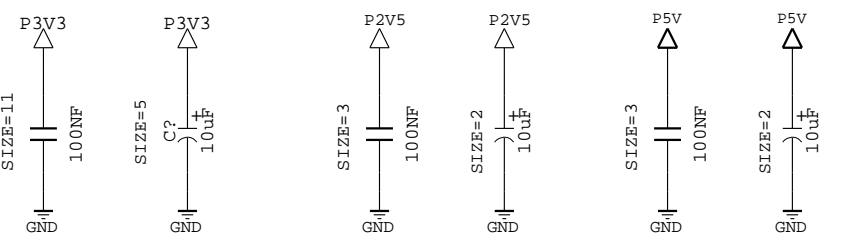
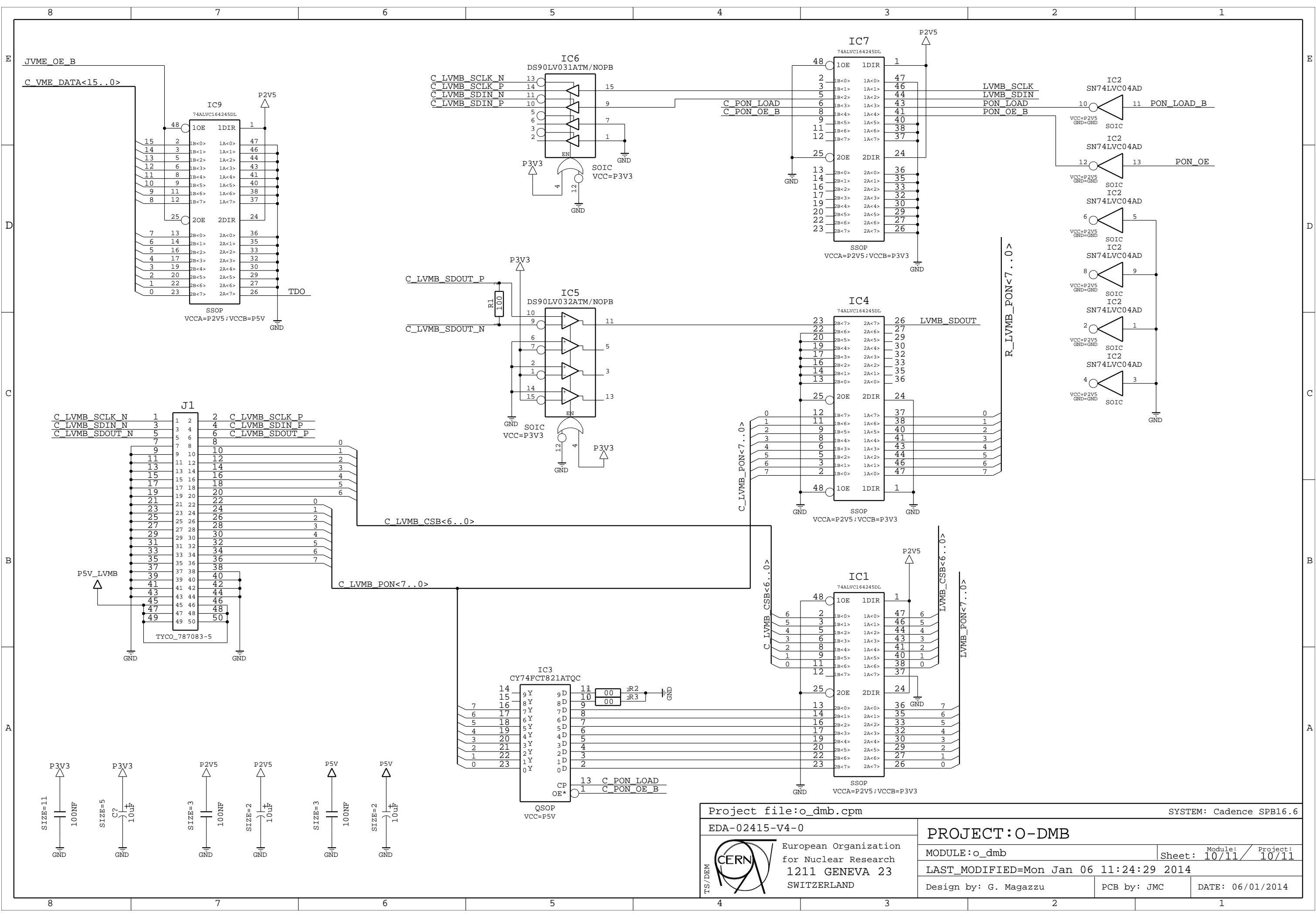
Design by: G. Magazzu PCB by: JMC DATE: 06/01/2014







Project file: o_dmb.cpm		SYSTEM: Cadence SPB16.6	
EDA-02415-v4-0		<b>PROJECT: O-DMB</b>	
 European Organization for Nuclear Research 1211 GENEVA 23 SWITZERLAND	MODULE: o_dmb	Module: 9/11	Project: 9/11
	LAST_MODIFIED=Mon Jan 06 11:41:09 2014		
Design by: G. Magazzu	PCB by: JMC	DATE: 06/01/2014	



Project file: o\_dmb.cpm SYSTEM: Cadence SPB16.6

EDA-02415-v4-0

**PROJECT: O-DMB**

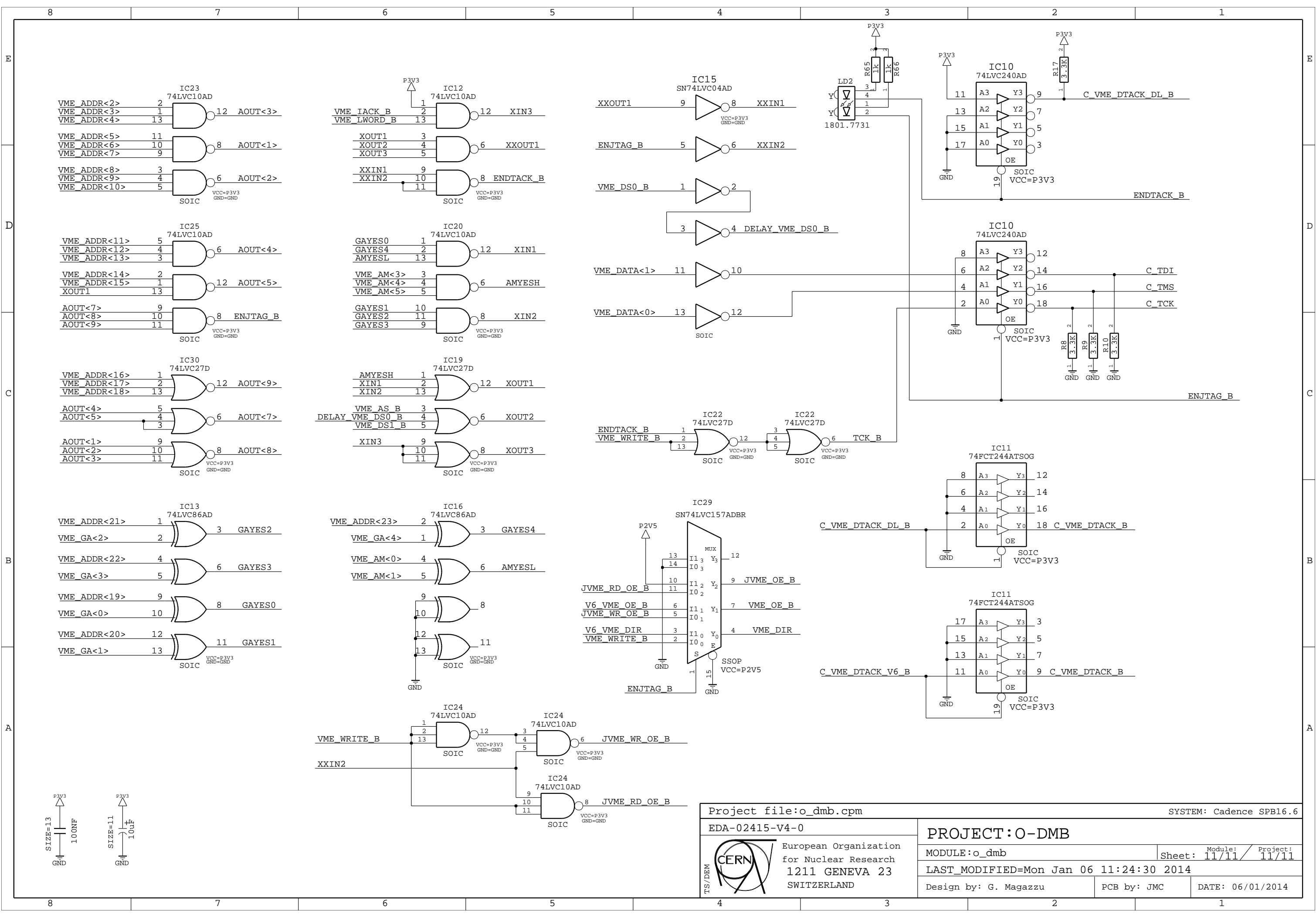
European Organization for Nuclear Research  
1211 GENEVA 23  
SWITZERLAND


MODULE: o\_dmb Sheet: 10/11 / Project: 10/11

LAST\_MODIFIED=Mon Jan 06 11:24:29 2014

Design by: G. Magazzu PCB by: JMC DATE: 06/01/2014





Project file: o_dmb.cpm		SYSTEM: Cadence SPB16.6	
EDA-02415-v4-0		<b>PROJECT: O-DMB</b>	
 European Organization for Nuclear Research 1211 GENEVA 23 SWITZERLAND		MODULE: o_dmb	Sheet: 11/11 / Project: 11/11
		LAST_MODIFIED=Mon Jan 06 11:24:30 2014	
Design by: G. Magazzu		PCB by: JMC	DATE: 06/01/2014