

C VME ADDR<23..1>

C VME DATA<15..0>

J4

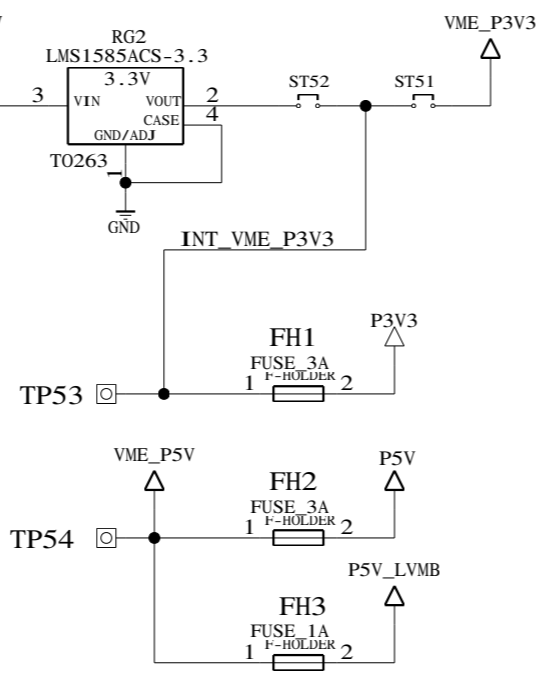
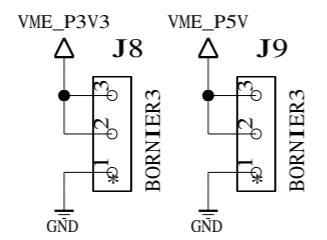
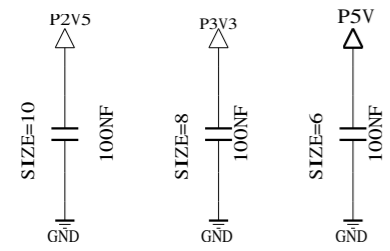
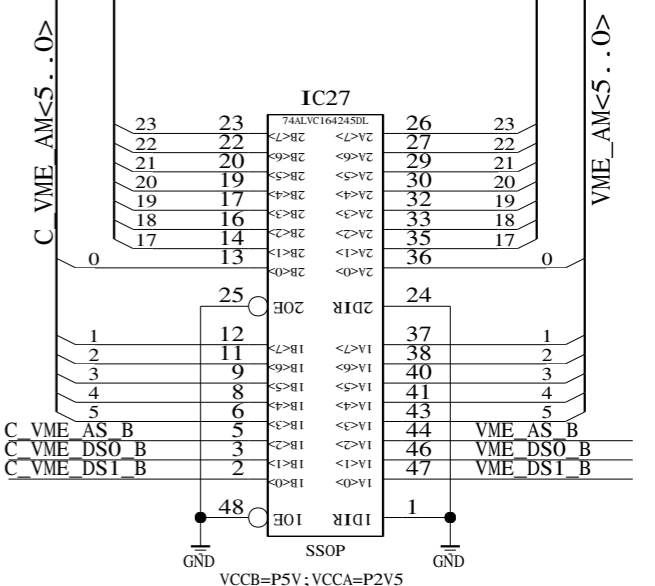
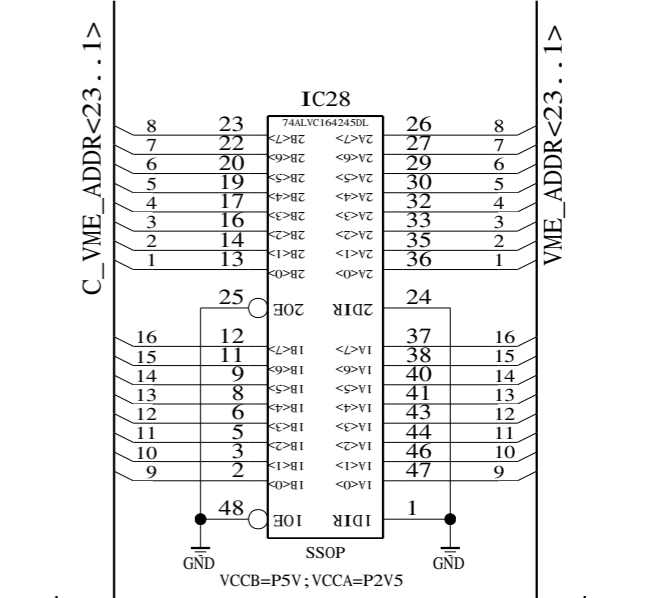
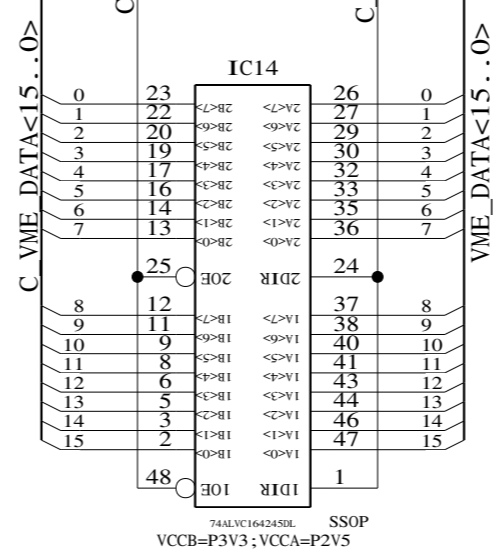
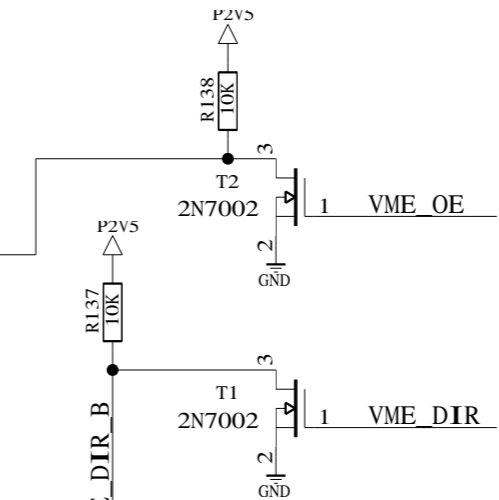
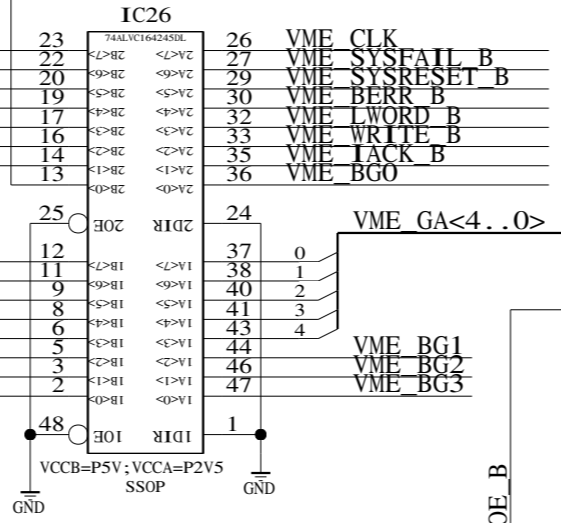
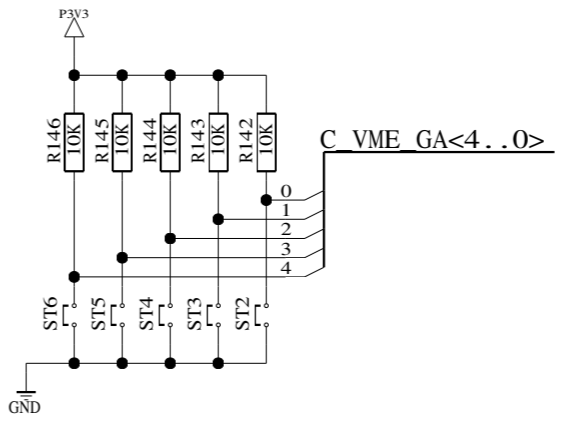
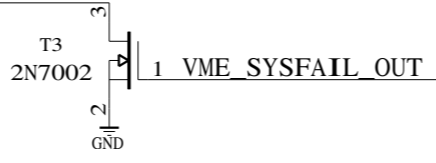
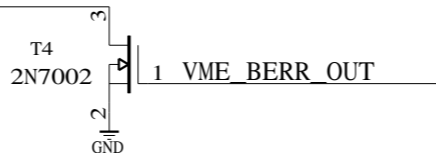
CONVME64X
P1

15	C8	D15	BBSY	B1
14	C7	D14	BCLR	B2
13	C6	D13	ACFAIL	B3
12	C5	D12	BG0IN	B4
11	C4	D11	BG0OUT	B5
10	C3	D10	BG1IN	B6
9	C2	D09	BG1OUT	B7
8	C1	D08	BG2IN	B8
7	A8	D07	BG2OUT	B9
6	A7	D06	BG3IN	B10
5	A6	D05	BG3OUT	B11
4	A5	D04	SYSCLK	A10
3	A4	D03	SYSFAIL	C10
2	A3	D02	SYSRESET	C12
1	A2	D01	BERR	C11
0	A1	D00	LWORD	C13
23	C15	A23	WRITE	A14
22	C16	A22	DTACK	A16
21	C17	A21	AS	A18
20	C18	A20	IACK	A20
19	C19	A19	IACKIN	A21
18	C20	A18	IACKOUT	A22
17	C21	A17	SERA	B21
16	C22	A16	SERB	B22
15	C23	A15	MPR	Z1
14	C24	A14	MCLK	Z3
13	C25	A13	MSD	Z5
12	C26	A12	MMD	Z7
11	C27	A11	MCTL	Z9
10	C28	A10	RESP	Z11
9	C29	A09	SBB	Z29
8	C30	A08	SBA	Z31
7	A24	A07	GA4	D17
6	A25	A06	GA3	D15
5	A26	A05	GA2	D13
4	A27	A04	GA1	D11
3	A28	A03	GA0	D10
2	A29	A02	GAP	D9
1	A30	A01	LI7I	D27
5	C14	AM5	LI7O	D29
4	A23	AM4	RSVU	D5
3	B19	AM3	RSVU	D8
2	B18	AM2	RSVB	Z13
1	B17	AM1	RSVB	Z15
0	B16	AM0	RSVB	Z17
23	C15	A12	DST	Z19
22	C16	A13	DSO	Z21
21	B15	BR3	RSVB	Z23
20	B14	BR2	RSVB	Z25
19	B13	BR1	RSVB	Z27
18	B12	BR0	RSVB	D19
17	B24	TRQ7	RSVB	D21
16	B25	TRQ6	RSVB	D23
15	B26	TRQ5	RSVB	D25
14	B27	TRQ4	VPC	D1
13	B28	TRQ3	VPC	D32
12	B29	TRQ2	+V1	D3
11	B30	TRQ1	+V2	D4
10	B31	5VSTDBY	-V1	D6
			-V2	D7

C VME_AM<5..0>

C VME_DS1 B
C VME_DSO B

P3V3=VME_P3V3
VCC=VME_P5V



Project file: o_dmb.cpm SYSTEM: Cadence SPB16.3

EDA-02415-V1-0

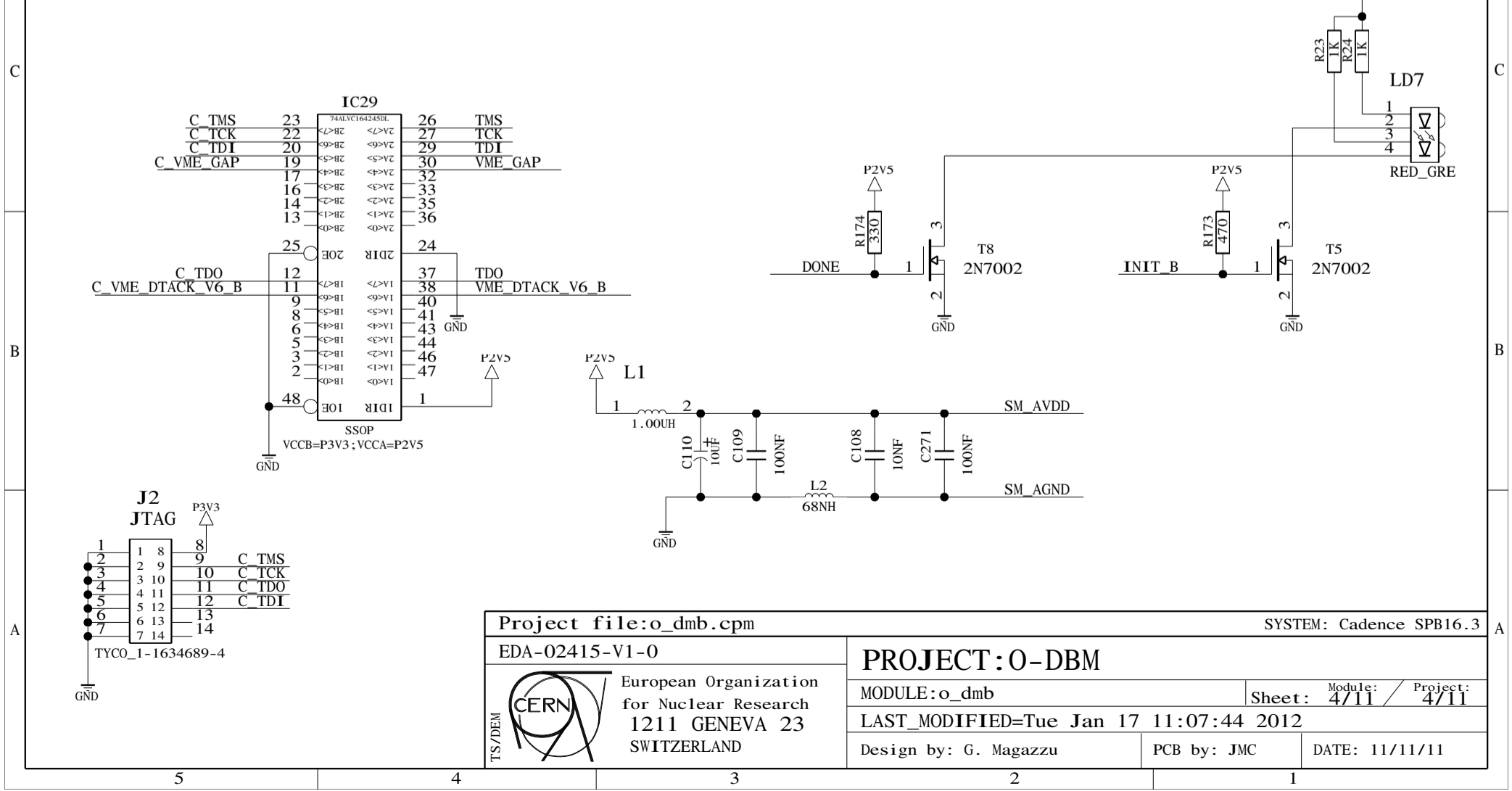
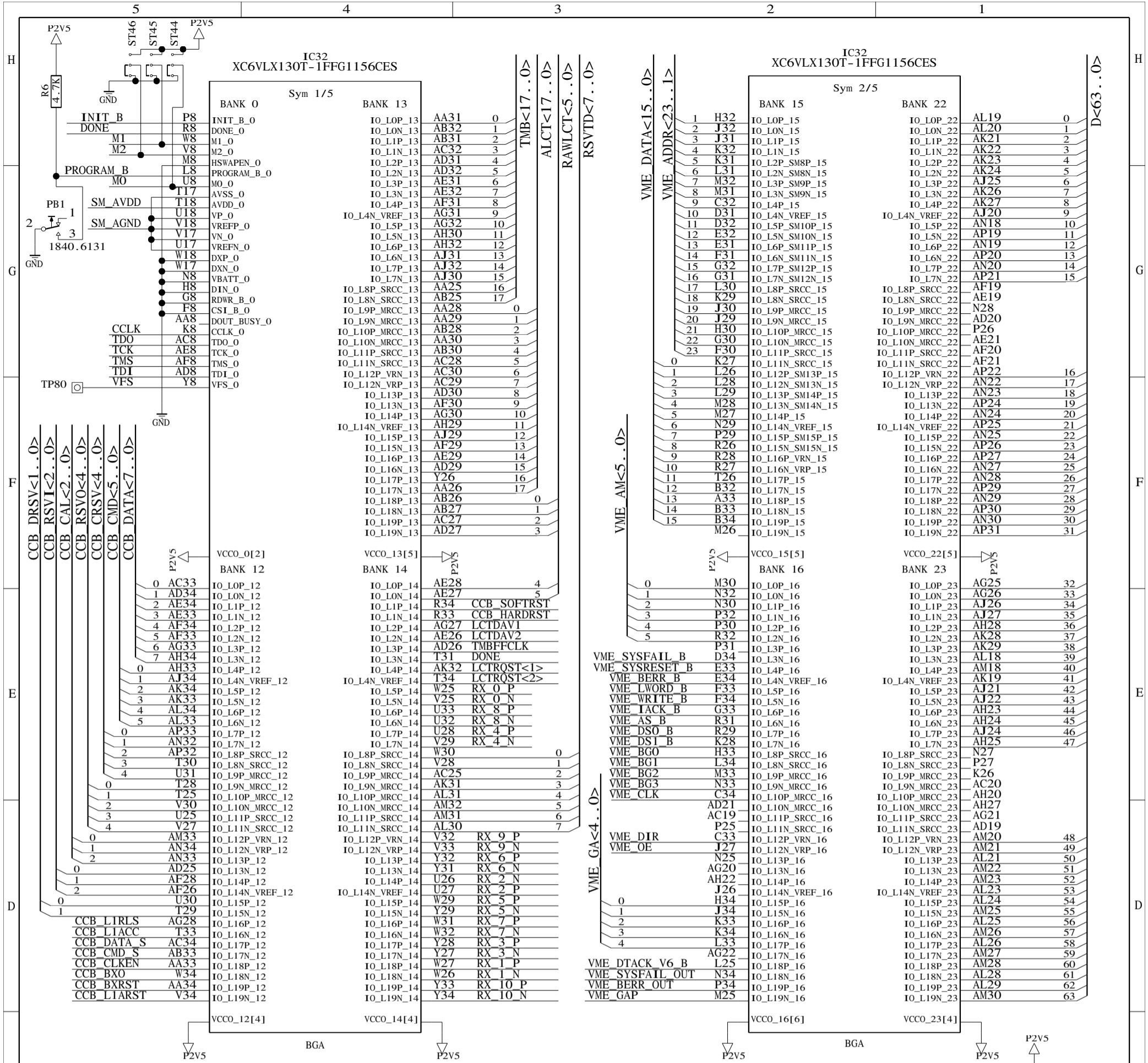
PROJECT: O-DBM

European Organization for Nuclear Research
1211 GENEVA 23
SWITZERLAND

MODULE: o_dmb Sheet: 1/11 / Project: 1/11

LAST_MODIFIED= Tue Jan 17 14:40:40 2012

Design by: G. Magazzu PCB by: JMC DATE: 11/11/11



Project file: o_dmb.cpm SYSTEM: Cadence SPB16.3

EDA-02415-V1-0

PROJECT: O-DBM

MODULE: o_dmb Sheet: 4/11 / Project: 4/11

LAST_MODIFIED= Tue Jan 17 11:07:44 2012

Design by: G. Magazzu PCB by: JMC DATE: 11/11/11

European Organization for Nuclear Research
1211 GENEVA 23
SWITZERLAND

H
G
F
E
D
C
B
A

H
G
F
E
D
C
B
A

IC32 XC6VLX130T-1FFG1156CES

IC32 XC6VLX130T-1FFG1156CES

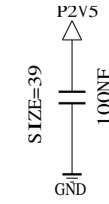
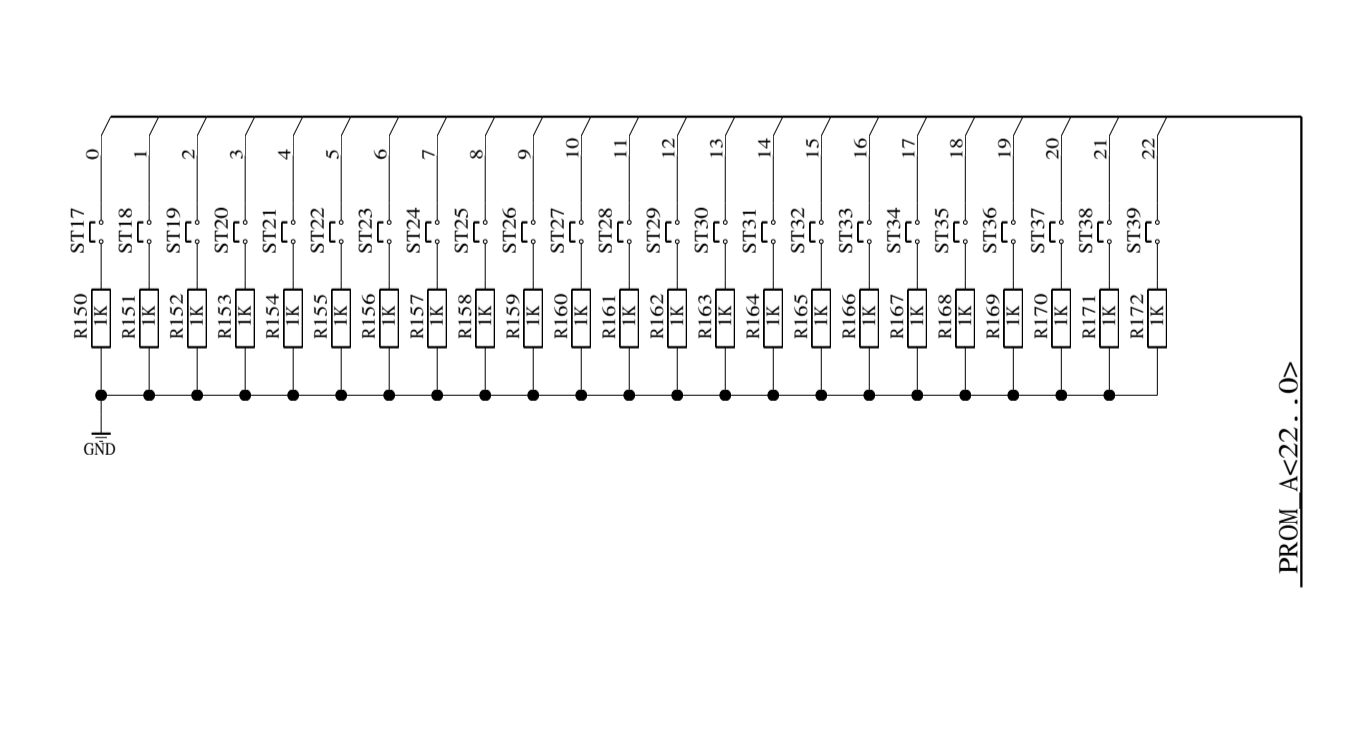
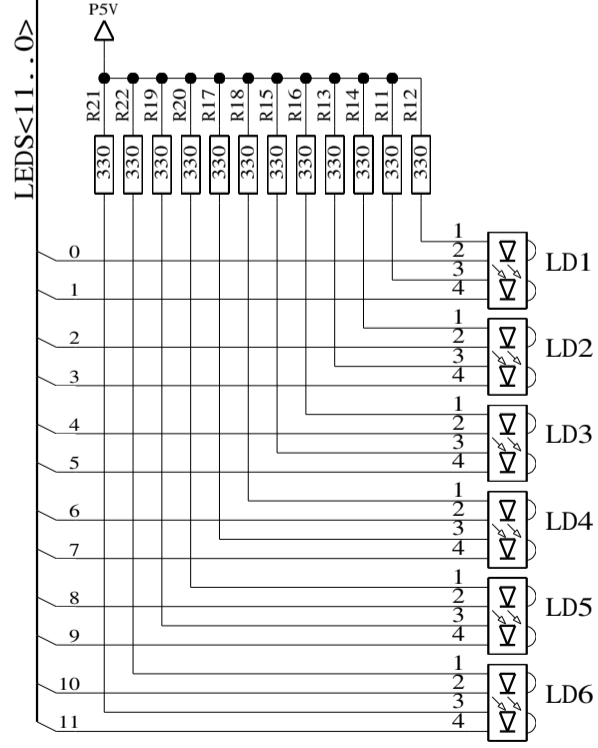
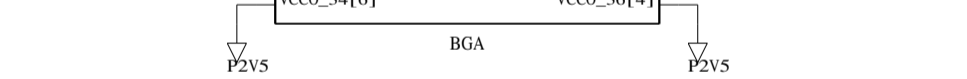
BANK 24		BANK 26	
IO_L0P_GC_24	L23	IO_L0P_26	H19
IO_L0N_GC_24	M22	IO_L0N_26	H20
IO_L1P_GC_24	K24	IO_L1P_26	K22
IO_L1N_GC_24	M23	IO_L1N_26	H22
IO_L2P_D15_24	L24	IO_L2P_26	G21
IO_L2N_D14_24	F23	IO_L2N_26	L24
IO_L3P_D13_24	F24	IO_L3P_26	L21
IO_L3N_D12_24	N23	IO_L3N_26	K21
IO_L4P_D11_24	N24	IO_L4P_26	J20
IO_L4N_VREF_D10_24	H23	IO_L4N_VREF_26	A18
IO_L5P_D9_24	G23	IO_L5P_26	B18
IO_L5N_D8_24	R24	IO_L5N_26	A19
IO_L6P_D7_24	H25	IO_L6P_26	A20
IO_L6N_D6_24	H24	IO_L6N_26	B20
IO_L7P_D5_24	T24	IO_L7P_26	A21
IO_L7N_D4_24	T23	IO_L7N_26	B21
IO_L8P_SRCC_24	J25	IO_L8P_SRCC_26	B22
IO_L8N_SRCC_24	J24	IO_L8N_SRCC_26	F20
IO_L9P_MRCC_24	U23	IO_L9P_MRCC_26	J21
IO_L9N_MRCC_24	V23	IO_L9N_MRCC_26	L20
IO_L10P_MRCC_24	AD24	IO_L10P_MRCC_26	F21
IO_L10N_MRCC_24	AE24	IO_L10N_MRCC_26	G20
IO_L11P_SRCC_24	V24	IO_L11P_SRCC_26	D22
IO_L11N_SRCC_24	W24	IO_L11N_SRCC_26	D21
IO_L12P_VRN_24	AF25	IO_L12P_VRN_26	C20
IO_L12N_VRP_24	AF24	IO_L12N_VRP_26	D20
IO_L13P_D1_FSI_24	Y24	IO_L13P_26	C19
IO_L13N_D0_FSO_24	AA24	IO_L13N_26	D19
IO_L14P_FCS_B_24	AG23	IO_L14P_26	C18
IO_L14N_VREF_FOE_B_MOST_24	AA23	IO_L14N_VREF_26	J22
IO_L15P_FWE_B_24	AB23	IO_L15P_26	E22
IO_L15N_RS1_24	AE23	IO_L15N_26	E23
IO_L16P_RS0_24	AE22	IO_L16P_26	E21
IO_L16N_CS0_B_24	AC23	IO_L16N_26	E19
IO_L17P_VRN_24	AC24	IO_L17P_26	F19
IO_L17N_VRP_24	AD22	IO_L17N_26	C23
IO_L18P_24		IO_L18P_26	B23
IO_L18N_24		IO_L18N_26	C22
IO_L19P_24		IO_L19P_26	A24
IO_L19N_24		IO_L19N_26	A23

BANK 25		BANK 32	
LVMB_SCLK	E28	IO_L0P_32	AJ17
LVMB_SDIN	E29	IO_L0N_32	AJ16
LVMB_SDOUT	A25	IO_L1P_32	AK18
	F25	IO_L1N_32	AK17
	F28	IO_L2P_32	AP16
QPLL_AUTORESTART	B30	IO_L2N_32	AP15
QPLL_ERROR	G28	IO_L3P_32	AE18
QPLL_LOCKED	G27	IO_L3N_32	AF18
QPLL_RESET	H27	IO_L4P_32	AG16
	F29	IO_L4N_VREF_32	AF16
QPLL_FOSEL<0>	G25	IO_L5P_32	AN17
QPLL_FOSEL<1>	E24	IO_L5N_32	AP17
QPLL_FOSEL<2>	D27	IO_L6P_32	AM17
QPLL_FOSEL<3>	G26	IO_L6N_32	AM16
QPLL_MODE	D24	IO_L7P_32	AJ15
QPLL_EXTCONTROL	F26	IO_L7N_32	AH15
ADC_SCLK	B25	IO_L8P_SRCC_32	AH17
ADC_SDIN	B26	IO_L8N_SRCC_32	AG17
ADC_SDOUT	B27	IO_L9P_MRCC_32	AC15
ADC_CS	A26	IO_L9N_MRCC_32	AD15
DAC_SDIN	B28	IO_L10P_MRCC_32	AE16
DAC_SDOUT	A30	IO_L10N_MRCC_32	AD16
DAC_CS	A28	IO_L11P_SRCC_32	AC18
DAC_SCLK	A29	IO_L11N_SRCC_32	AC17
	E27	IO_L12P_VRN_32	AH18
	E26	IO_L12N_VRP_32	AG18
	D26	IO_L13P_32	AG15
	D25	IO_L13N_32	AF15
	C24	IO_L14P_32	AJ19
	C25	IO_L14N_VREF_32	AH19
	C27	IO_L15P_32	AD17
	C28	IO_L15N_32	AE17
	D29	IO_L16P_VRN_32	AK14
	C29	IO_L16N_VRP_32	AJ14
	D30	IO_L17P_32	AL15
	C30	IO_L17N_32	AL14
QPLL_40MHZ_P	H28	IO_L18P_32	AN15
QPLL_40MHZ_N	H29	IO_L18N_32	AM15
QPLL_80MHZ_P	B31	IO_L19P_32	AL16
QPLL_80MHZ_N	A31	IO_L19N_32	AK16



BANK 33		BANK 35	
OTX1-01_P	AE13	IO_L0P_35	D14
OTX1-01_N	AE12	IO_L0N_35	C13
OTX1-02_P	AG12	IO_L1P_35	C14
OTX1-02_N	AH12	IO_L1N_35	A14
OTX1-03_P	AK13	IO_L2P_35	A13
OTX1-03_N	AL13	IO_L2N_35	A11
OTX1-04_P	AD14	IO_L3P_35	C12
OTX1-04_N	AC14	IO_L3N_35	B11
	AF11	IO_L4P_35	K11
	AE11	IO_L4N_VREF_35	L11
OTX1-05_P	AH13	IO_L5P_35	H10
OTX1-05_N	AH14	IO_L5N_35	G10
OTX1-06_P	AK12	IO_L6P_35	D11
OTX1-06_N	AJ12	IO_L6N_35	E11
OTX1-07_P	AM11	IO_L7P_35	J11
OTX1-07_N	AM11	IO_L7N_35	J10
	AC13	IO_L8P_SRCC_35	K14
	AC12	IO_L8N_SRCC_35	J14
OTX1-FAULT	AP14	IO_L9P_MRCC_35	M12
OTX1-RESET	AN14	IO_L9N_MRCC_35	M11
OTX1-TX_DIS	AP11	IO_L10P_MRCC_35	L13
OTX2-RESET	AF13	IO_L10N_MRCC_35	M13
OTX2-TX_DIS	AJ10	IO_L11P_SRCC_35	G13
OTX1-TX_EN	AP12	IO_L11N_SRCC_35	H14
OTX2-TX_EN	AM10	IO_L12P_VRN_35	G12
OTX1-08_P	AM10	IO_L12N_VRP_35	H13
OTX1-08_N	AL10	IO_L13P_35	AD12
	AE14	IO_L13N_35	AD11
	AF14	IO_L14P_35	H12
OTX1-09_P	AG11	IO_L14N_VREF_35	J12
OTX1-09_N	AG10	IO_L15P_35	F11
OTX1-010_P	AJ11	IO_L15N_35	K17
OTX1-010_N	AK11	IO_L16P_35	K13
OTX1-011_P	AM12	IO_L16N_35	K12
OTX1-011_N	AN12	IO_L17P_35	F14
OTX1-012_P	AN13	IO_L17N_35	E14
OTX1-012_N	AM13	IO_L18P_35	B12
	H17	IO_L18N_35	B13
	G11	IO_L19P_35	D12
		IO_L19N_35	E12

BANK 34		BANK 36	
CK_0_P	J9	IO_L0P_36	E18
CK_0_N	H9	IO_L0N_36	F18
CK_1_P	A10	IO_L1P_36	E17
CK_1_N	B10	IO_L1N_36	D17
	F9	IO_L2P_36	K18
	F10	IO_L2N_36	E13
	C10	IO_L3P_36	F13
	D10	IO_L3N_36	G17
	C9	IO_L4P_36	L19
	D9	IO_L4N_VREF_A10_D26_34	L18
	A9	IO_L5P_A09_D25_34	K19
	A8	IO_L5N_A08_D24_34	J19
	E8	IO_L6P_A07_D23_34	M16
	E9	IO_L6N_A06_D22_34	M15
	B8	IO_L7P_A05_D21_34	J17
	C8	IO_L7N_A04_D20_34	J16
	L9	IO_L8P_SRCC_36	G18
	K9	IO_L8N_SRCC_36	H18
	L10	IO_L9P_MRCC_36	K16
	M10	IO_L9N_MRCC_36	L16
	AC10	IO_L10P_MRCC_36	L15
	AB10	IO_L10N_MRCC_36	L14
	AH9	IO_L11P_SRCC_36	H15
	AJ9	IO_L11N_SRCC_36	J15
	AD10	IO_L12P_VRN_36	G15
	AC9	IO_L12N_VRP_36	F15
	AK8	IO_L13P_36	E16
	AL8	IO_L13N_36	D16
	AD9	IO_L14P_36	D15
	AE9	IO_L14N_VREF_A24_34	C15
	AK9	IO_L15P_A23_34	A15
	AL9	IO_L15N_A22_34	B15
	AF9	IO_L16P_A21_34	A16
	AF10	IO_L16N_A20_34	B16
	AN9	IO_L17P_A19_34	C17
	AP9	IO_L17N_A18_34	B17
	AG8	IO_L18P_A17_34	F16
	AH8	IO_L18N_A16_34	G16
	AN10	IO_L19P_VRN_34	M18
	AP10	IO_L19N_VRP_34	M17



Project file: o_dmb.cpm SYSTEM: Cadence SPB16.3

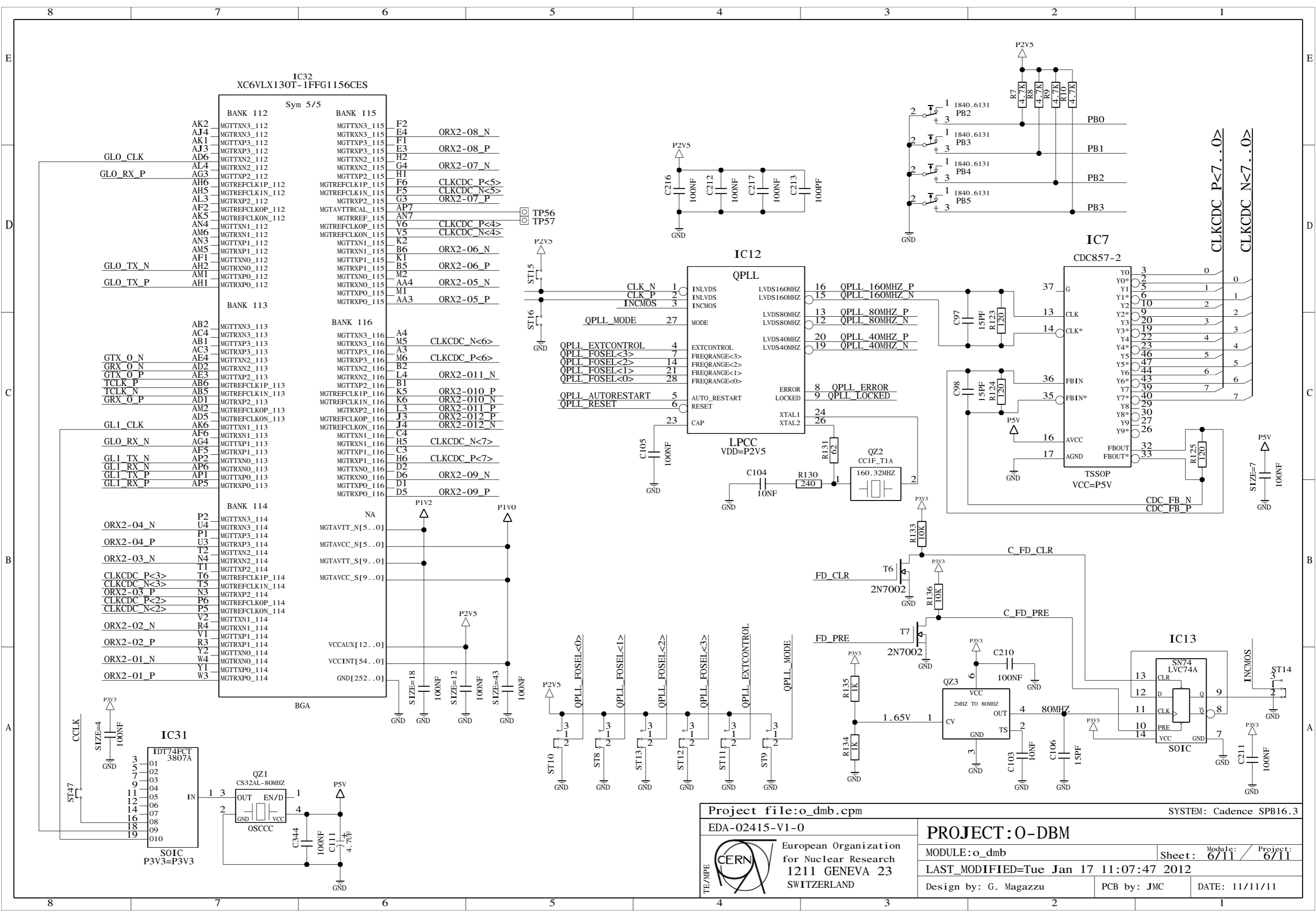
EDA-02415-V1-0 PROJECT: O-DBM

European Organization for Nuclear Research 1211 GENEVA 23 SWITZERLAND

MODULE: o_dmb Sheet: 5/11 Project: 5/11

LAST_MODIFIED= Tue Jan 17 10:41:56 2012

Design by: G. Magazzu PCB by: JMC DATE: 11/11/11



Project file: o_dmb.cpm SYSTEM: Cadence SPB16.3


EDA-02415-V1-0

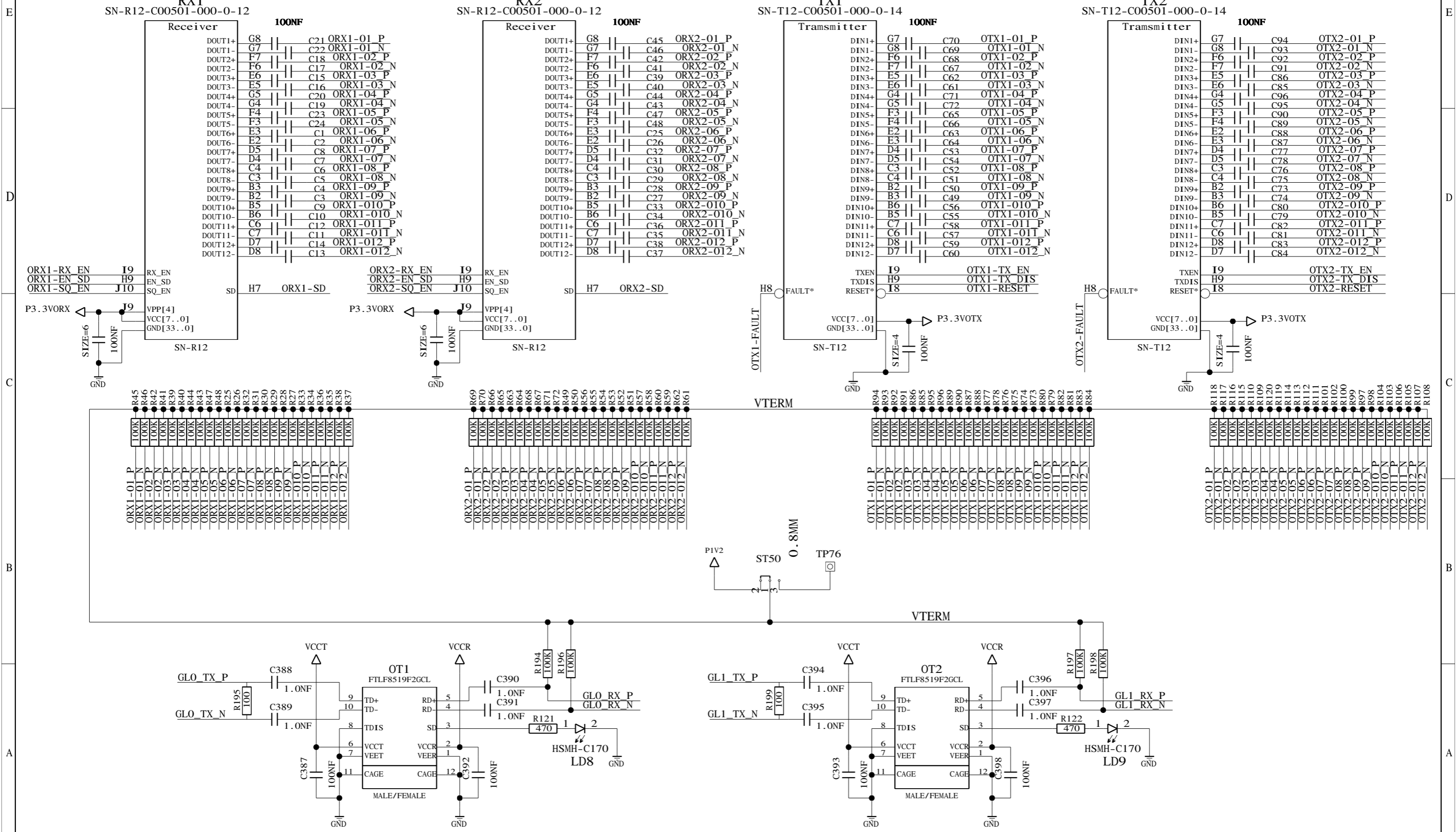
PROJECT: O-DBM

MODULE: o_dmb Sheet: 6/11 / Project: 6/11

LAST_MODIFIED= Tue Jan 17 11:07:47 2012

Design by: G. Magazzu PCB by: JMC DATE: 11/11/11

TE/AMPE  European Organization for Nuclear Research
1211 GENEVA 23 SWITZERLAND



Project file: o_dmb.cpm SYSTEM: Cadence SPB16.3

EDA-02415-V1-0

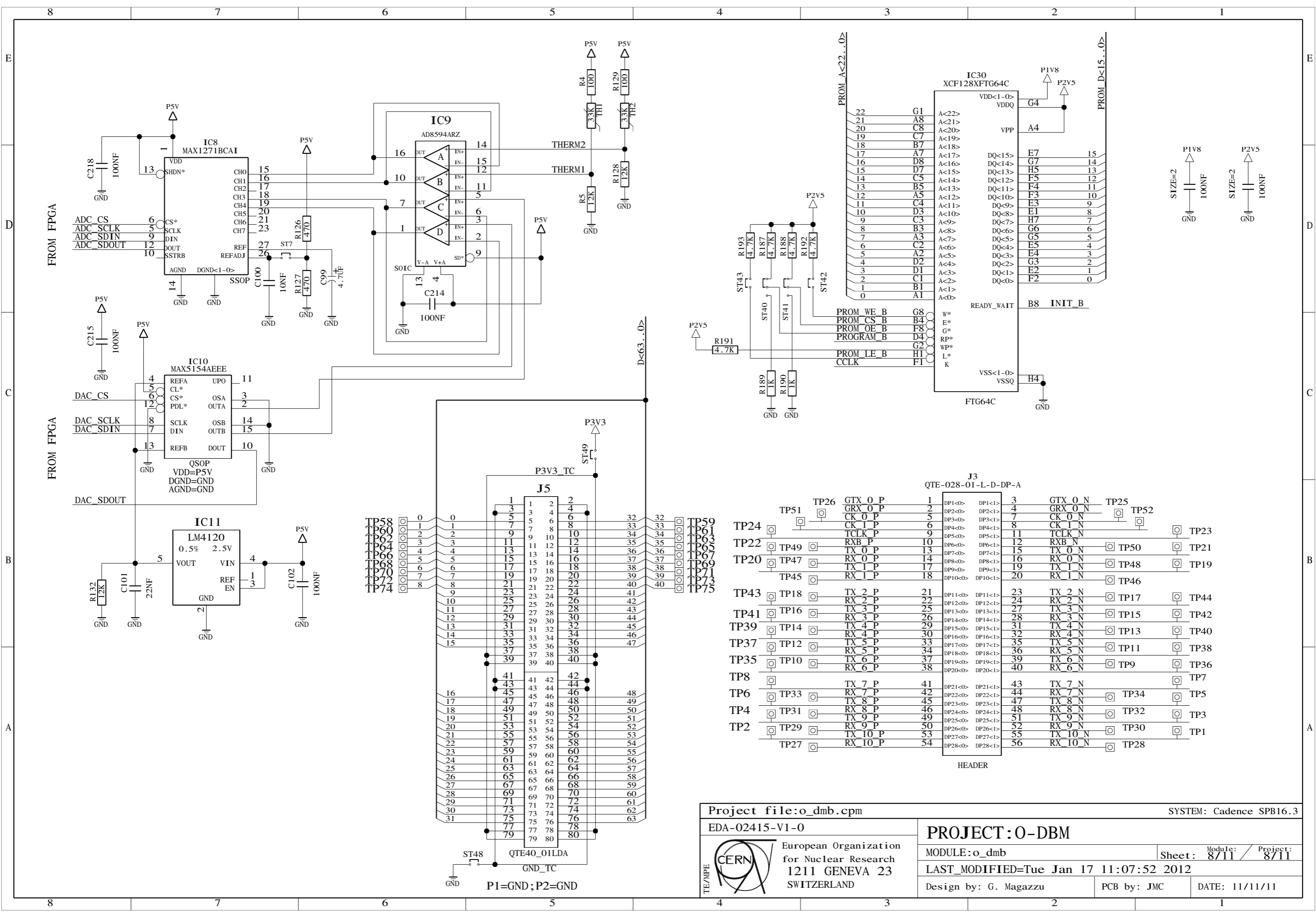
PROJECT: O-DBM

MODULE: o_dmb Sheet: 7/11 / Project: 7/11

LAST_MODIFIED= Tue Jan 17 11:07:49 2012

Design by: G. Magazzu PCB by: JMC DATE: 11/11/11

TE/AMPE European Organization for Nuclear Research
1211 GENEVA 23 SWITZERLAND



Project file: o_dmb.cpm SYSTEM: Cadence SPB16.3

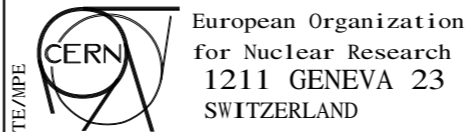
EDA-02415-V1-0

PROJECT: O-DBM

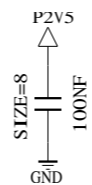
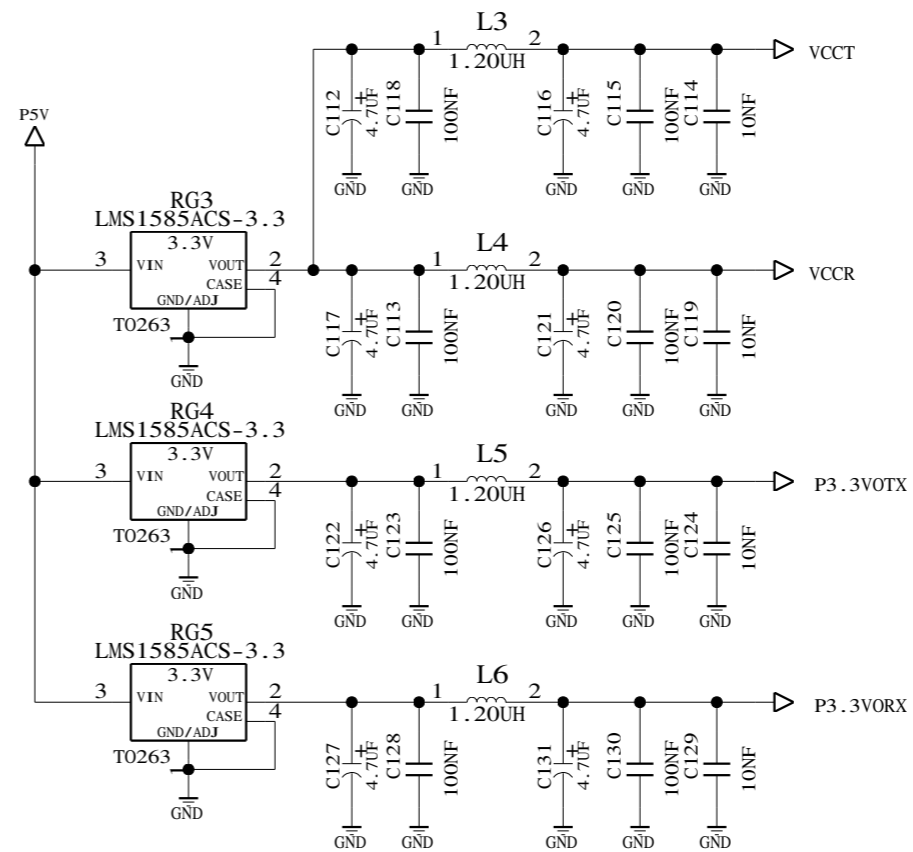
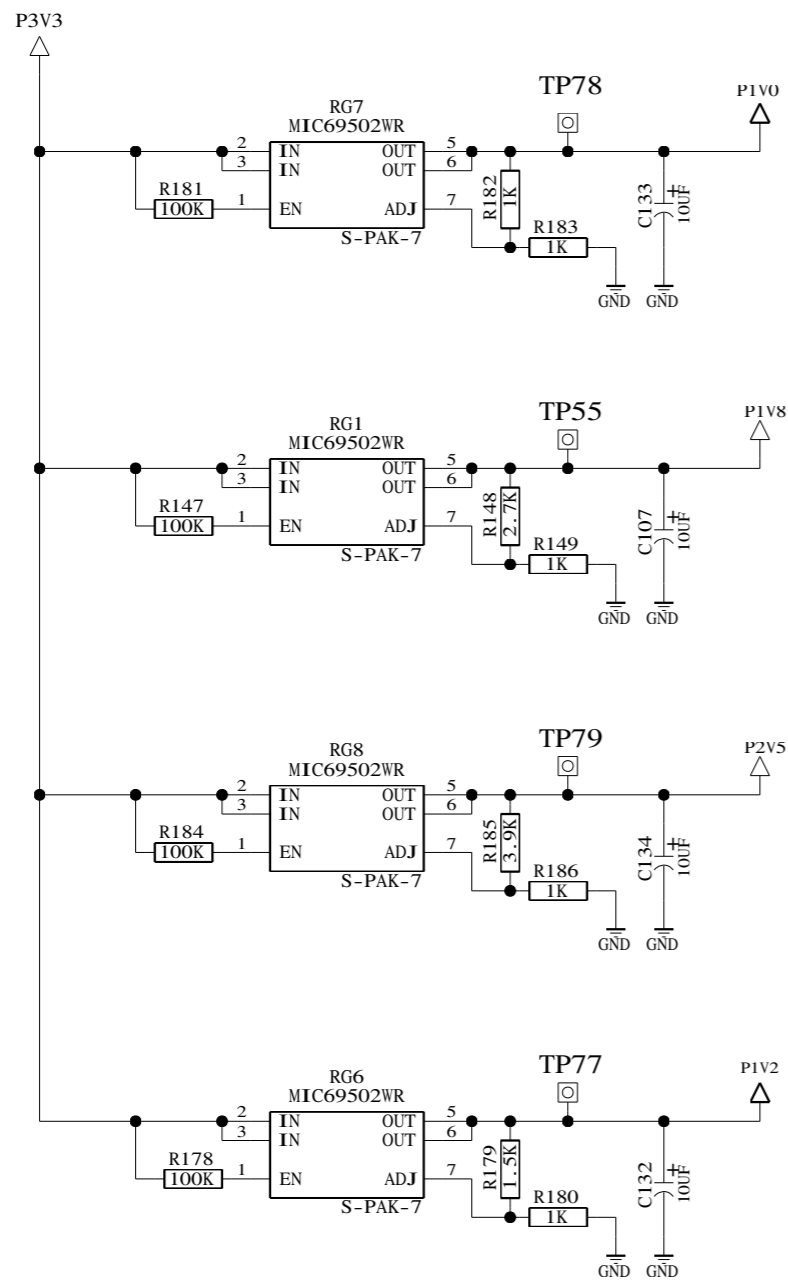
MODULE: o_dmb Sheet: 8/11 / Project: 8/11

LAST_MODIFIED= Tue Jan 17 11:07:52 2012

Design by: G. Magazzu PCB by: JMC DATE: 11/11/11



TE/AMPE

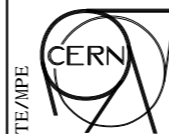


Project file: o_dmb.cpm

SYSTEM: Cadence SPB16.3

EDA-02415-V1-0

PROJECT: O-DBM



European Organization
for Nuclear Research
1211 GENEVA 23
SWITZERLAND

MODULE: o_dmb

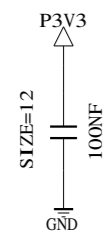
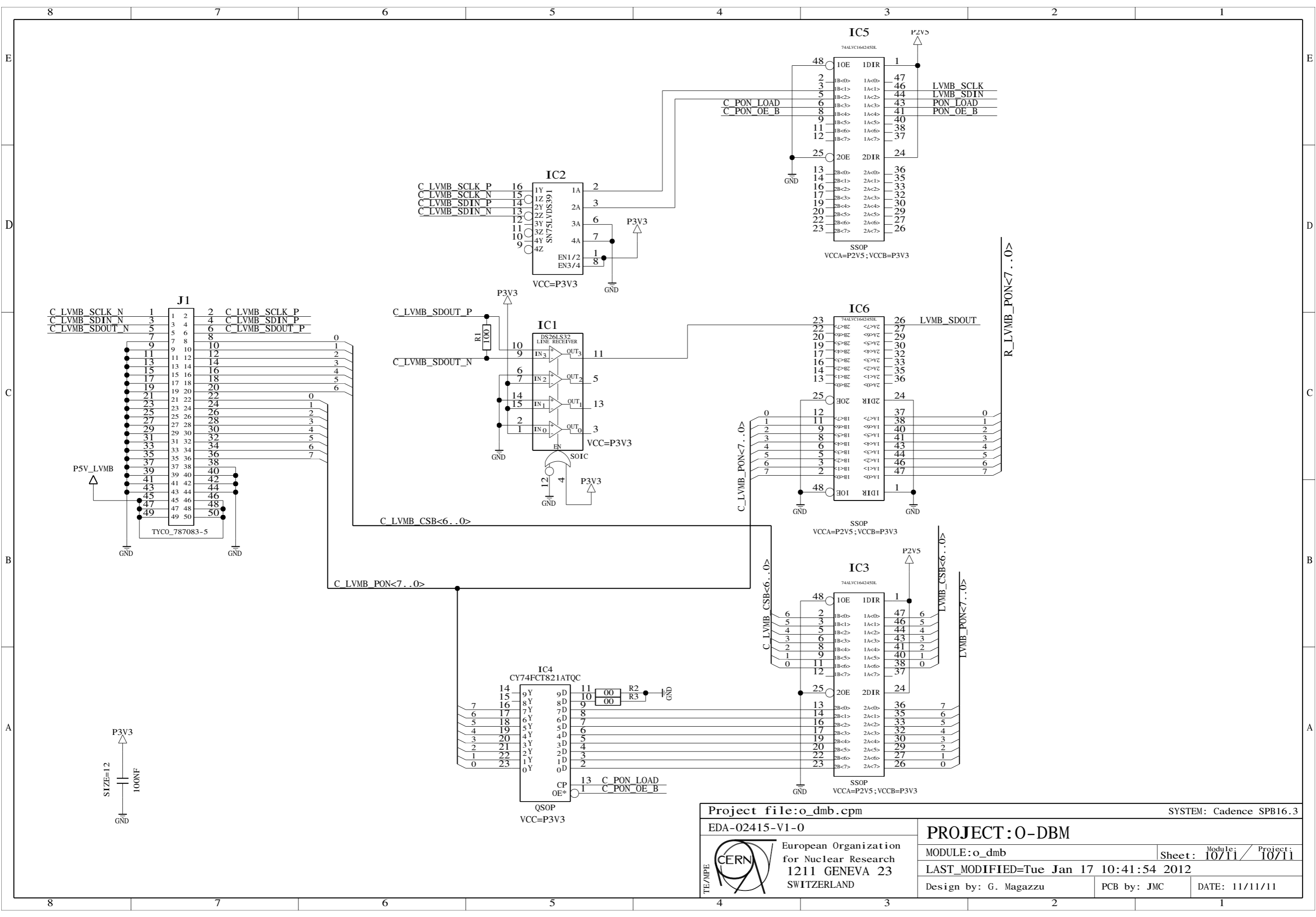
Sheet: 9/11 / Project: 9/11


LAST_MODIFIED=Tue Jan 17 11:07:55 2012

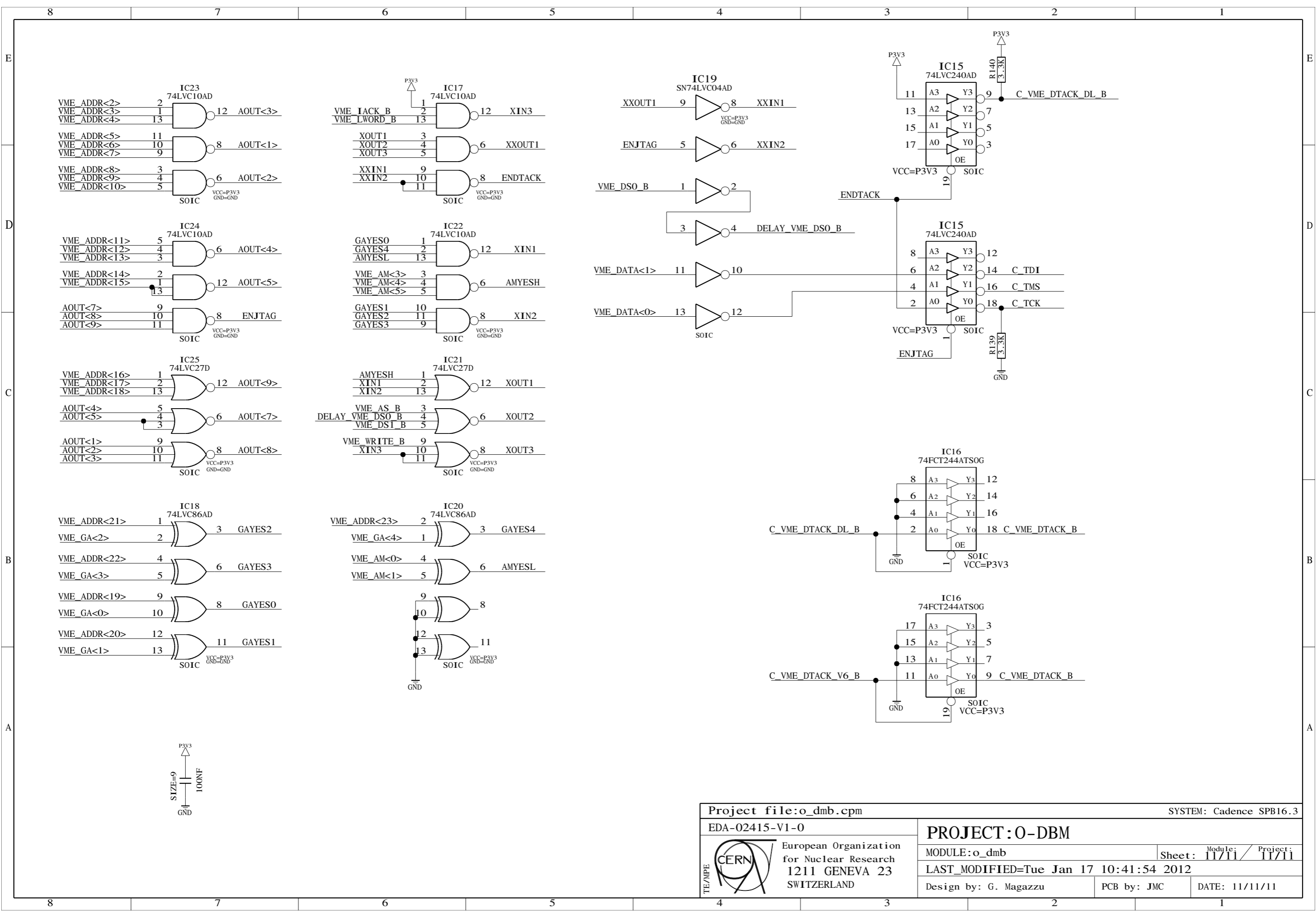
Design by: G. Magazzu


PCB by: JMC

DATE: 11/11/11



Project file: o_dmb.cpm		SYSTEM: Cadence SPB16.3	
EDA-02415-V1-0		PROJECT: O-DBM	
 European Organization for Nuclear Research 1211 GENEVA 23 SWITZERLAND		MODULE: o_dmb	Sheet: 10/11 / Project: 10/11
		LAST_MODIFIED= Tue Jan 17 10:41:54 2012	
Design by: G. Magazzu	PCB by: JMC	DATE: 11/11/11	



Project file: o_dmb.cpm		SYSTEM: Cadence SPB16.3	
EDA-02415-V1-0		PROJECT: O-DBM	
 European Organization for Nuclear Research 1211 GENEVA 23 SWITZERLAND		MODULE: o_dmb	Sheet: 11/11 / Project: 11/11
		LAST_MODIFIED= Tue Jan 17 10:41:54 2012	
Design by: G. Magazzu	PCB by: JMC	DATE: 11/11/11	